

Service Technical Information

MODEL NO. AM-HX50 / HX55
SUBJECT Noise heard on headphones during playback operation

REF.No. :G - A0 - 042 - E0

DATE :29. JUN. 2000

<CONTENTS>

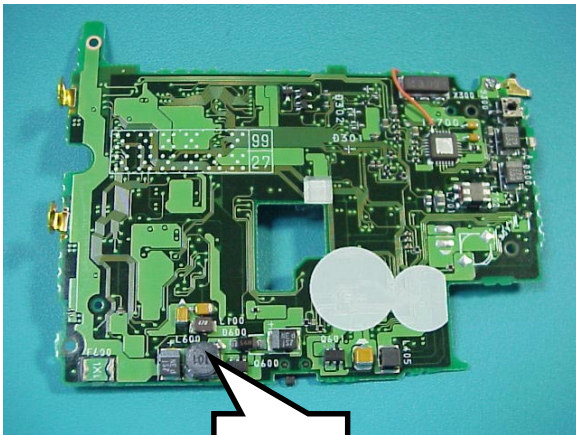
The models concerned may produce low-level noises with volume at minimum position. The noises occur in synchronization with blinks of OPE LED, approximately 8 seconds after starting playback operation. Take the following action against the problem.



Main unit OPE LED

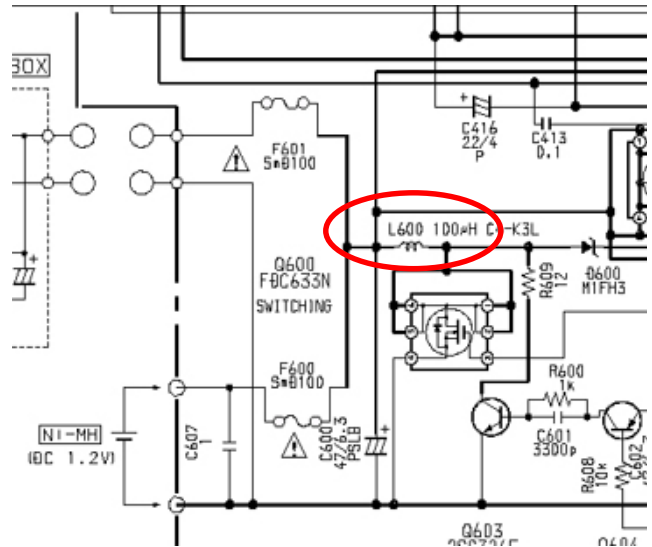
<COUNTERMEASURE>

Change the values from 100 μH to 180 μH on L600 in the power supply section.



L600

MAIN C.B. mechanism section



Circuit diagram for power supply section

Ref.	Parts Code	Description	Remarks
L600	87-A50-325-080	C-COIL, 180μH C4-K3L	-

G	R	Code No.	Access Code	Modified Ser. No.	Parts Schedule
-	-	-	-	-	-