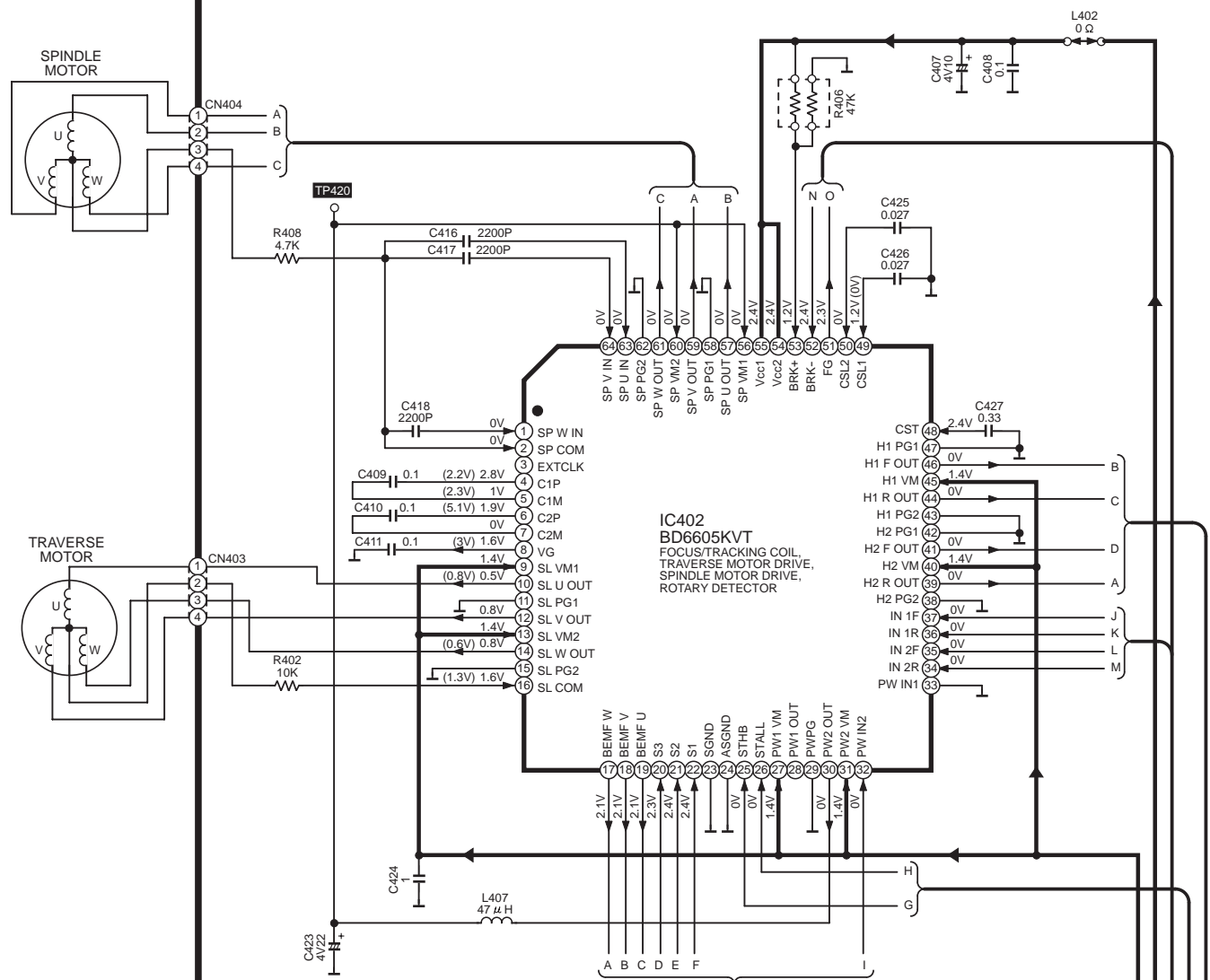


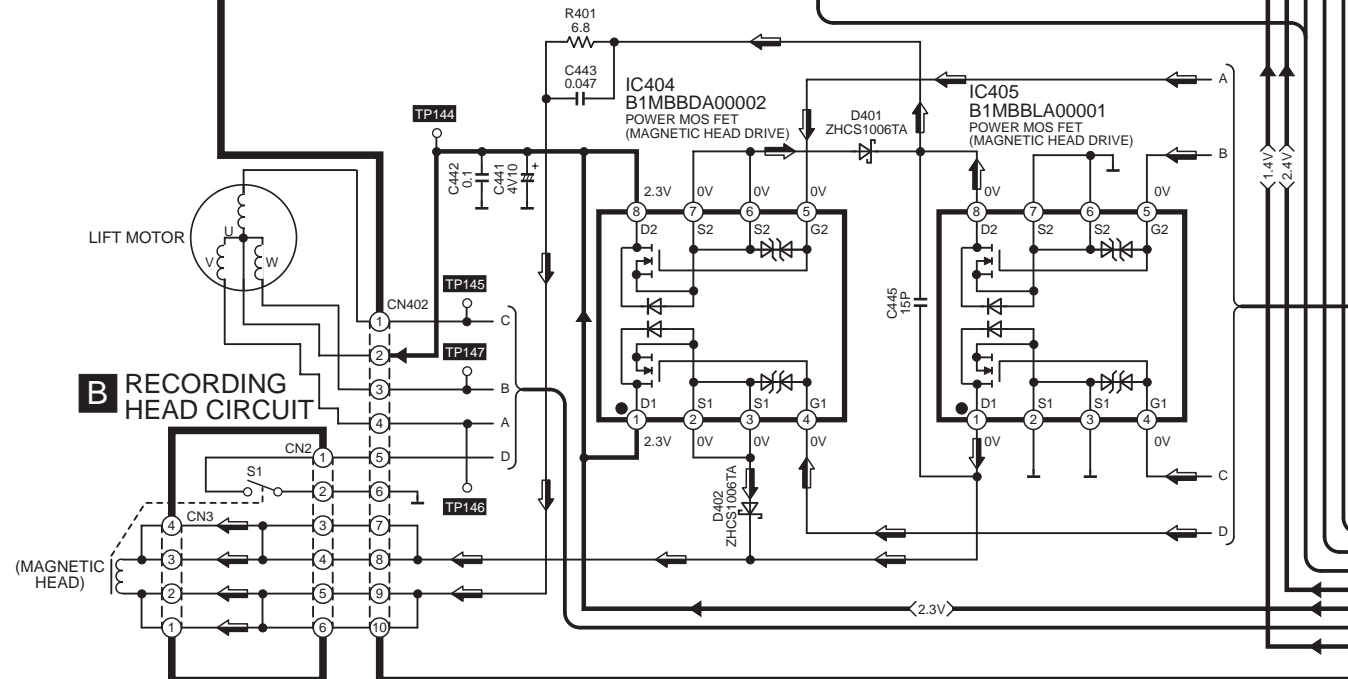
→: POSITIVE VOLTAGE LINE
 ⇨: RECORDING SIGNAL
 "": DIGITAL LINE

NOTE: Each parts on main p.c.b. (Side B) can not be checked directly, however, for the checking of main component parts on p.c.b., refer to the "Checking procedures of main component parts on the main p.c.b. (Side B)".

A MAIN CIRCUIT

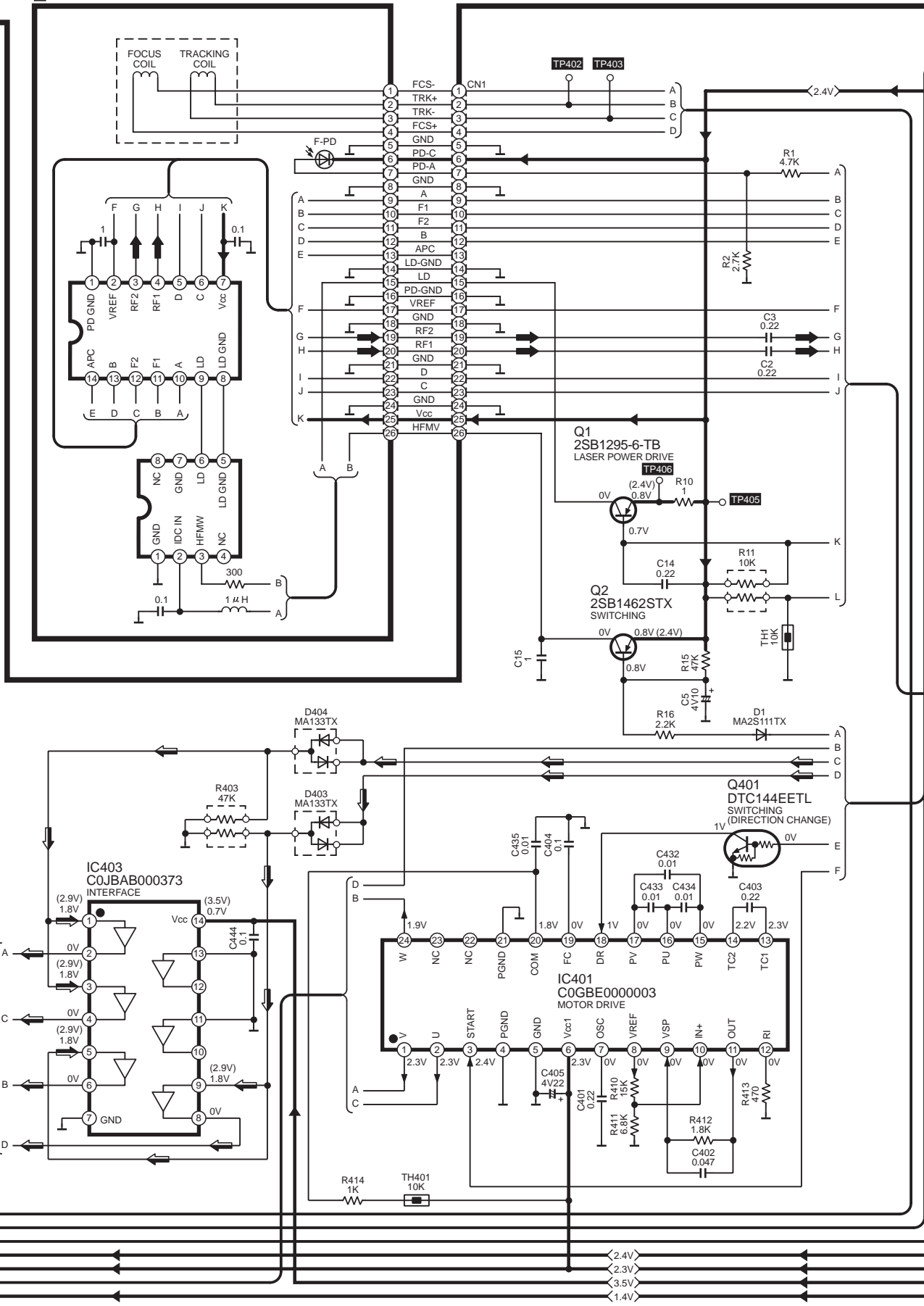


B RECORDING HEAD CIRCUIT



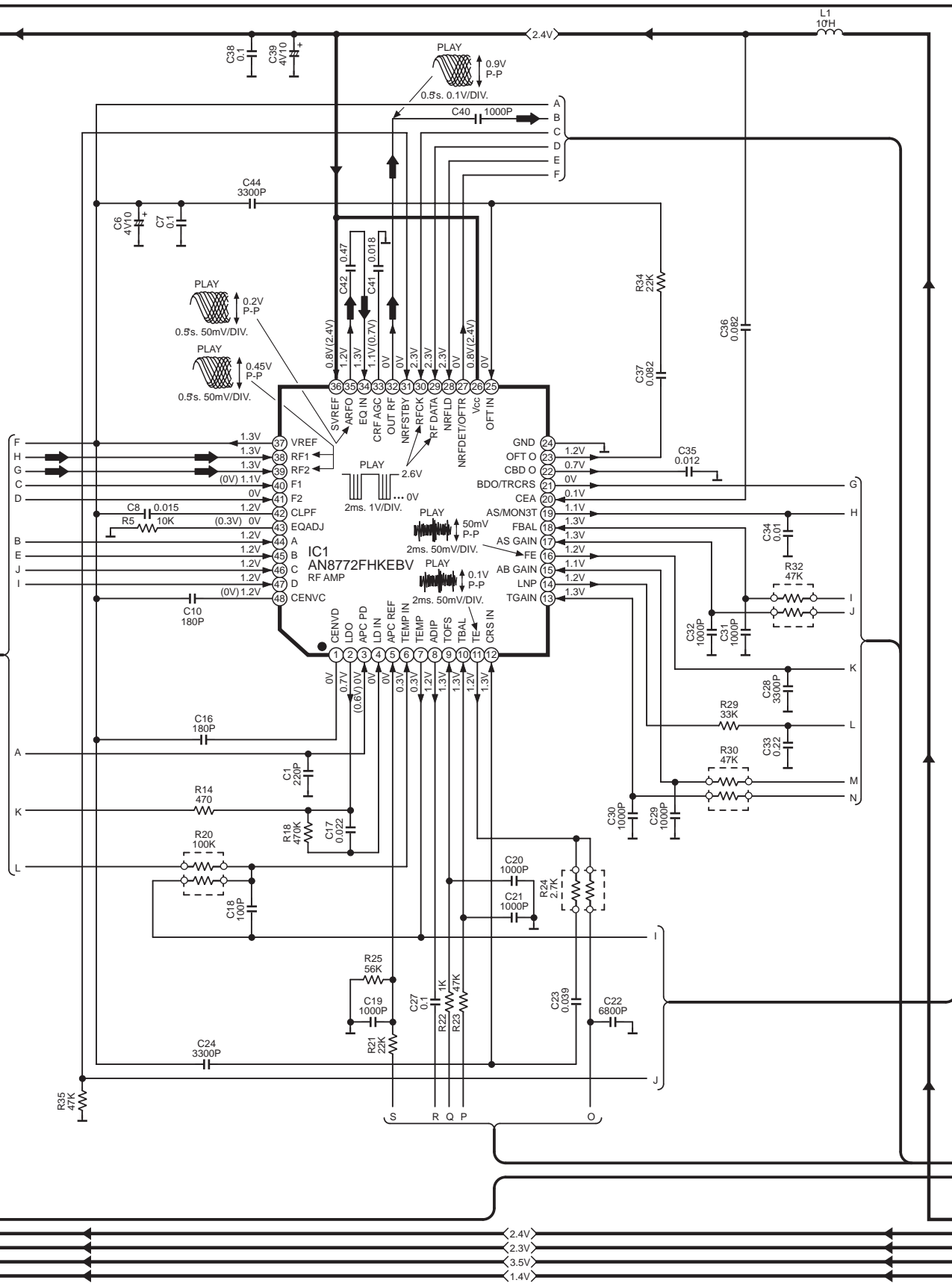
MD OPTICAL PICKUP

▶ :PLAYBACK SIGNAL LINE
▶ :POSITIVE VOLTAGE LINE
▶ :RECORDING SIGNAL "DIGITAL" LINE

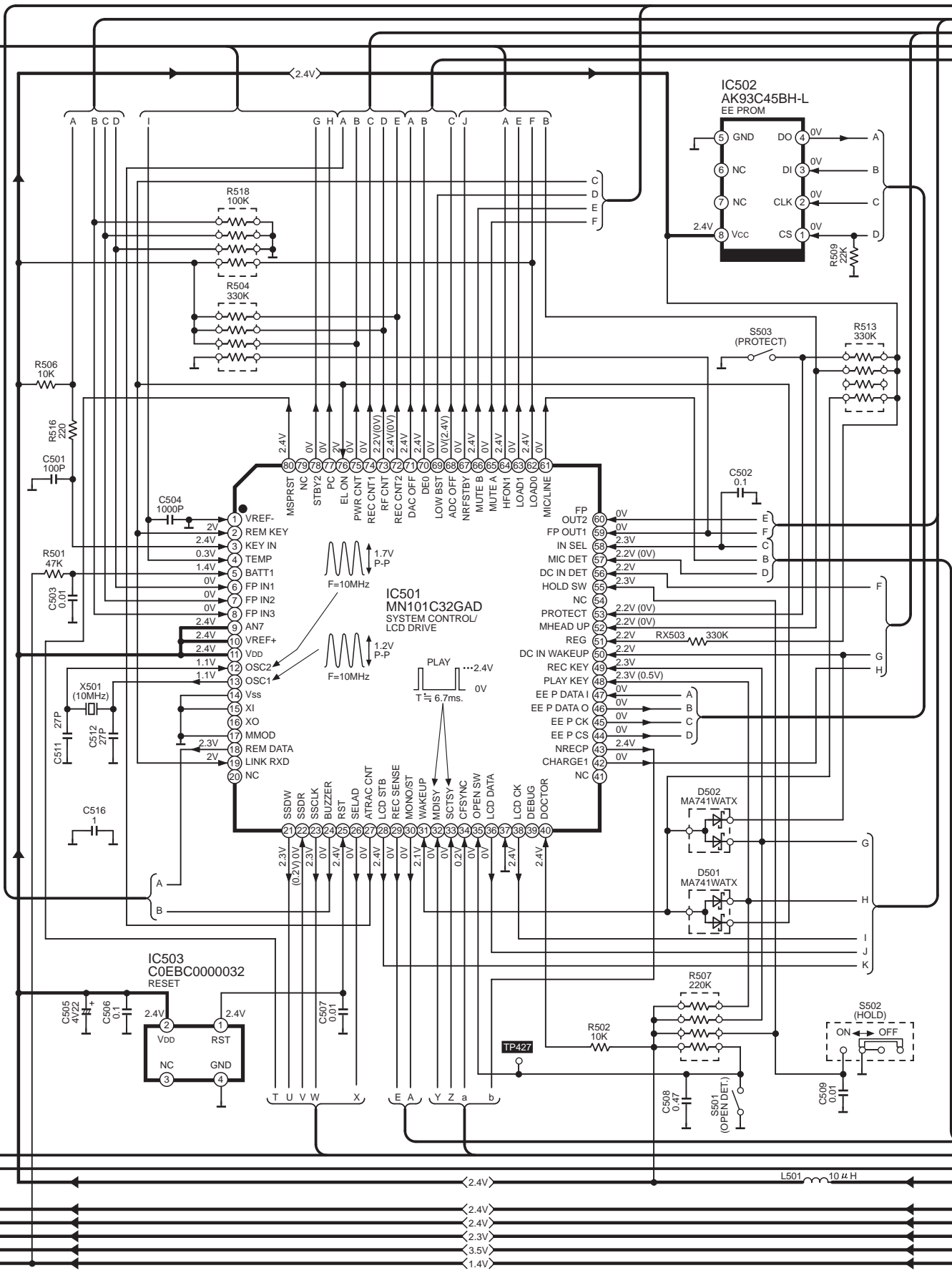


A MAIN CIRCUIT

→ : POSITIVE VOLTAGE LINE → : PLAYBACK SIGNAL LINE



→ : POSITIVE VOLTAGE LINE



<2.4V>

L501 10µH

<2.4V>

<2.4V>

<2.3V>

<3.5V>

<1.4V>

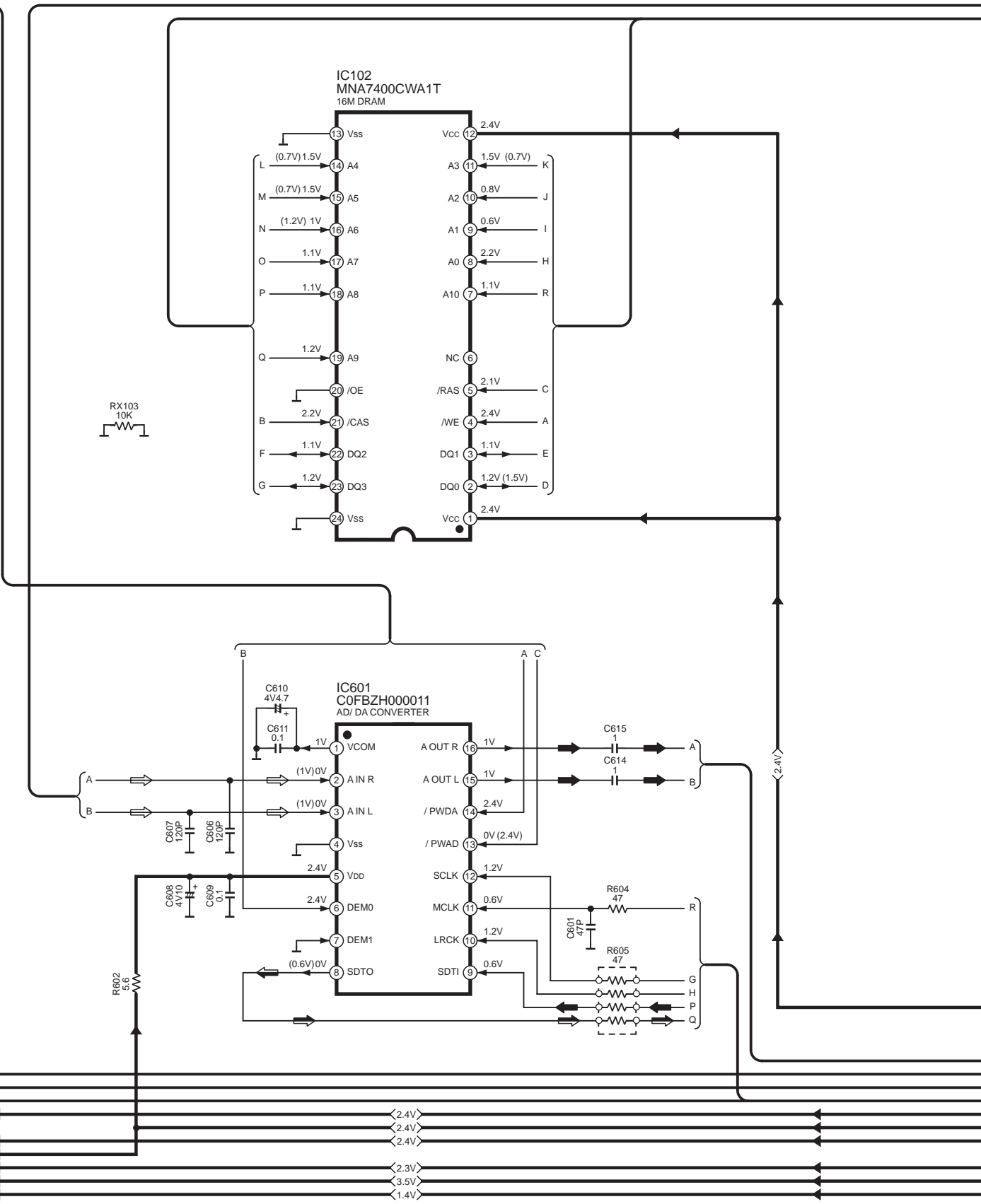
A MAIN CIRCUIT

→ : POSITIVE VOLTAGE LINE

➡ : PLAYBACK SIGNAL LINE

⇨ : RECORDING SIGNAL "ANALOG" LINE

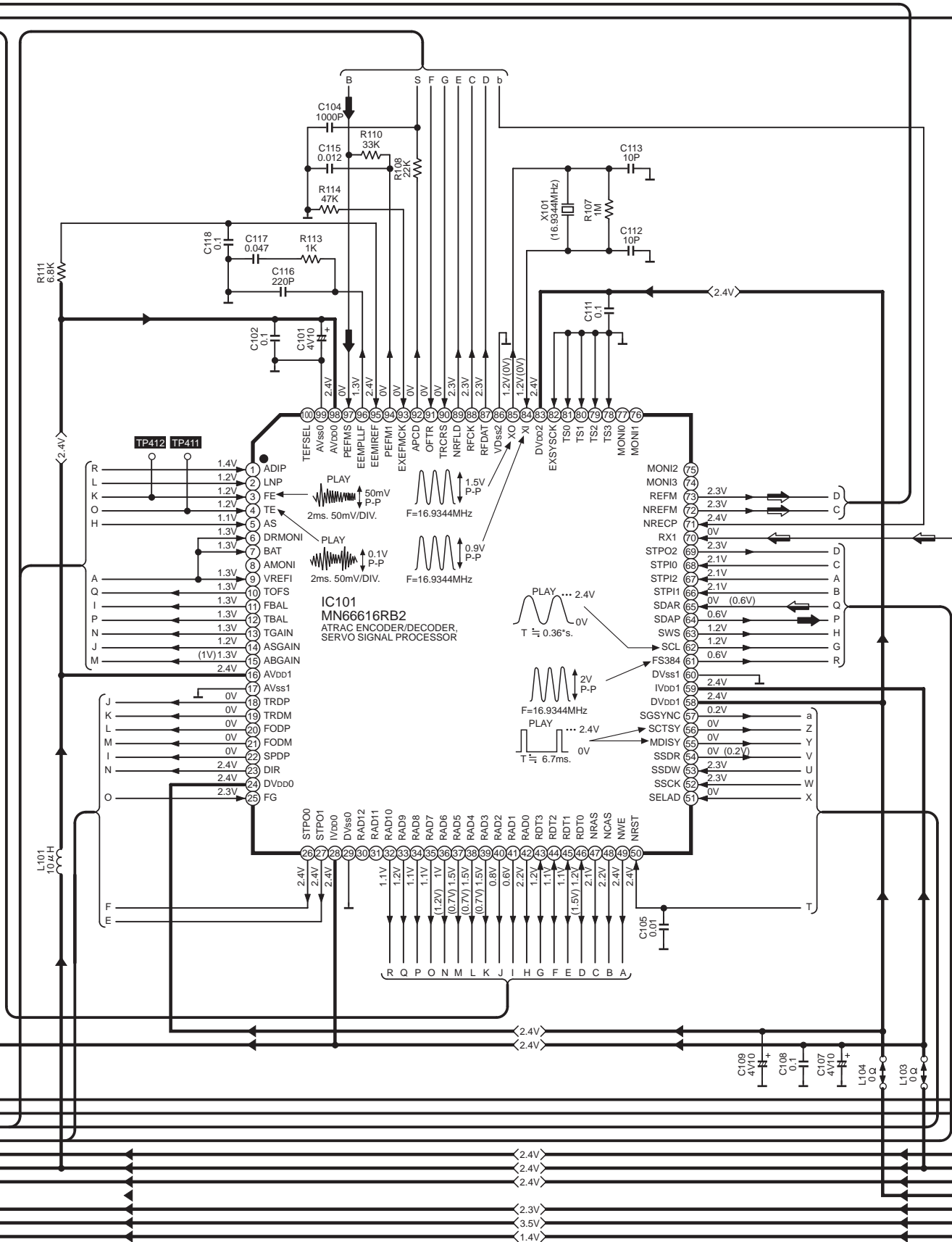
⇨ : RECORDING SIGNAL "DIGITAL" LINE



→ : POSITIVE VOLTAGE LINE

➡ : PLAYBACK SIGNAL LINE

⇨ : RECORDING SIGNAL "DIGITAL" LINE



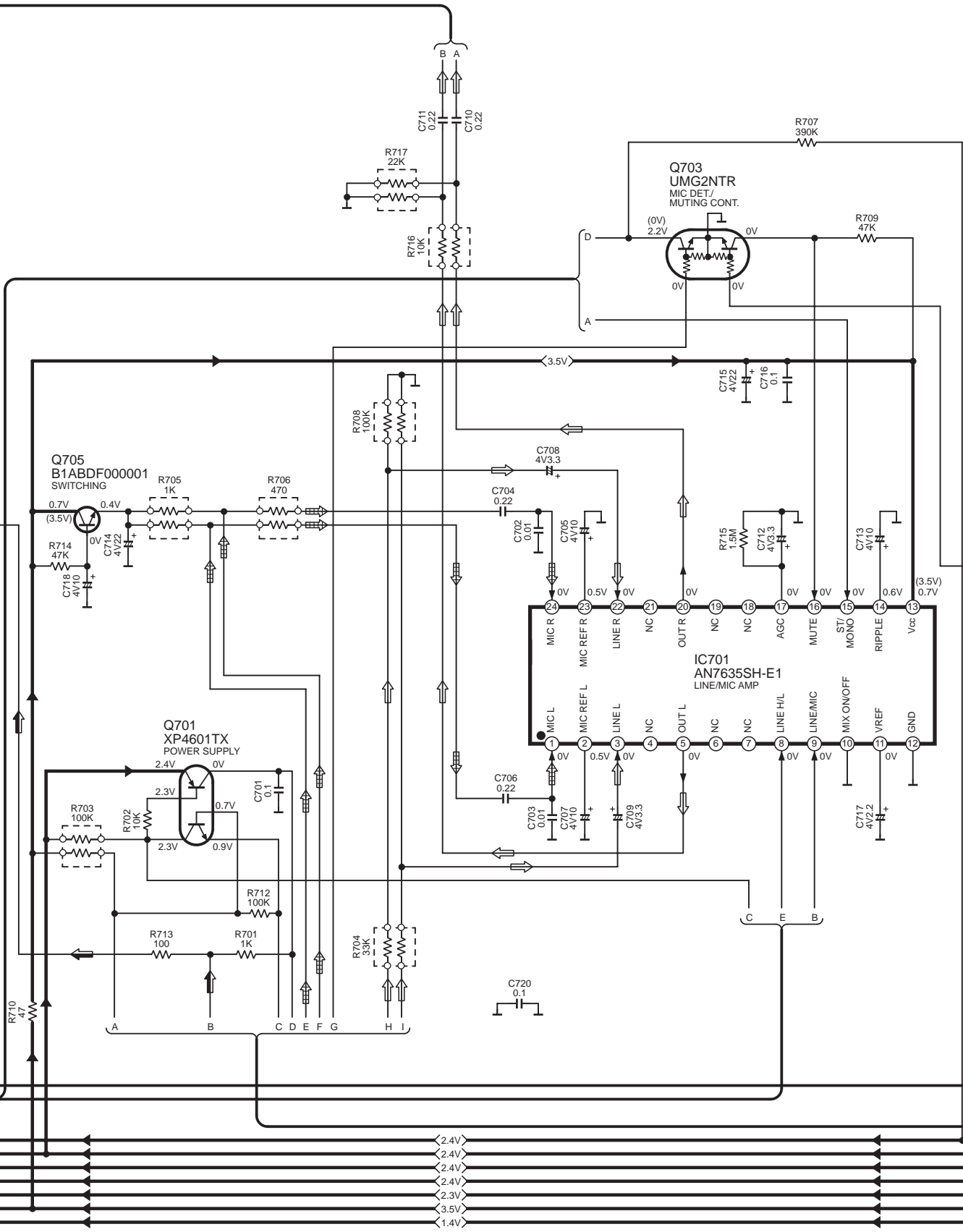
A MAIN CIRCUIT

→ : POSITIVE VOLTAGE LINE

⇒ : RECORDING SIGNAL "DIGITAL" LINE

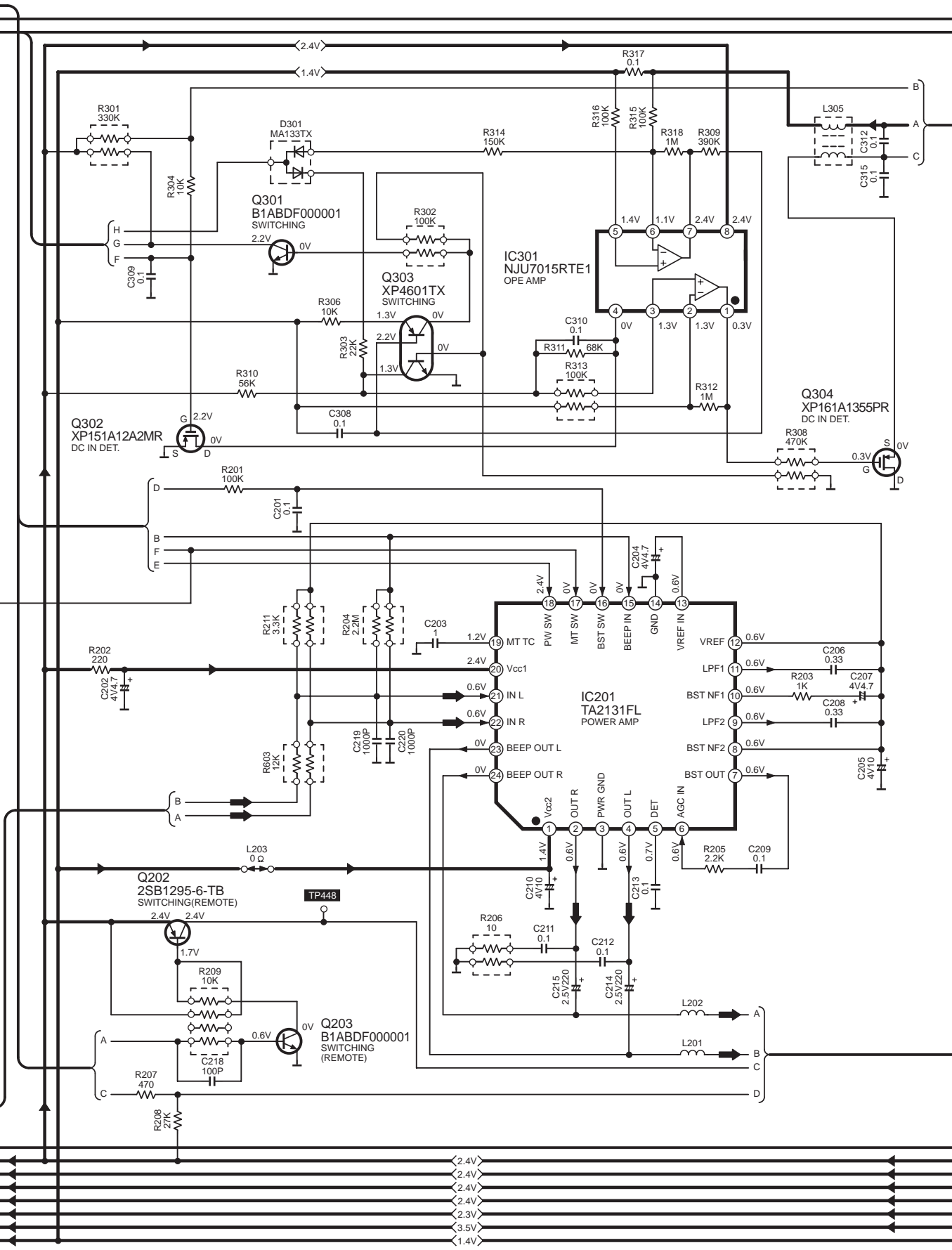
⇨ : RECORDING SIGNAL "ANALOG" LINE

⇨⇨ : MIC SIGNAL LINE



→ : POSITIVE VOLTAGE LINE

➔ : PLAYBACK SIGNAL LINE



A MAIN CIRCUIT

C OPERATION CIRCUIT

 :MIC SIGNAL LINE
  :RECORDING SIGNAL "DIGITAL" LINE
 :POSITIVE VOLTAGE LINE
  :PLAYBACK SIGNAL LINE
  :RECORDING SIGNAL "ANALOG" LINE

