

MDS-S38

SERVICE MANUAL

Ver 1.1 2004.09

US Model
Canadian Model
AEP Model
UK Model
E Model



Photo: Black

U.S. and foreign patents licensed from Dolby Laboratories Licensing Corporation.

| | |
|------------------------------------|--------------|
| Model Name Using Similar Mechanism | MDS-S37 |
| MD Mechanism Type | MDM-3B |
| Optical Pick-up Type | KMS-260A/J1N |

SPECIFICATIONS

| | |
|-------------------------------|--|
| System | MiniDisc digital audio system |
| Disc | MiniDisc |
| Laser | Semiconductor laser ($\lambda = 780 \text{ nm}$) Emission duration: continuous |
| Laser output | Less than $44.6 \mu\text{W}^*$ * This output is the value measured at a distance of 200 mm from the objective lens surface on the Optical Pick-up Block with 7 mm aperture. |
| Laser diode properties | Material: GaAlAs |
| Revolutions (CLV) | 400 rpm to 900 rpm |
| Error correction | Advanced Cross Interleave Reed Solomon Code (ACIRC) |
| Sampling frequency | 44.1 kHz |
| Coding | Adaptive Transform Acoustic Coding (ATRAC) |
| Modulation system | EFM (Eight-to-Fourteen Modulation) |
| Number of channels | 2 stereo channels |
| Frequency response | 5 to 20,000 Hz $\pm 0.3 \text{ dB}$ |
| Signal-to-noise ratio | Over 96 dB during playback |
| Wow and flutter | Below measurable limit |

Inputs

| | Jack type | Input impedance | Rated input | Minimum input |
|----------------------------------|-------------------------------|-----------------------------|-------------|---------------|
| LINE (ANALOG) IN | Phono jacks | 47 kilohms | 500 mVrms | 125 mVrms |
| DIGITAL (OPTICAL) IN1/IN2 | Square optical connector jack | Optical wave length: 660 nm | — | — |

Outputs

| | Jack type | Rated output | Load impedance |
|------------------------------|-------------------------------|------------------------|-----------------------------|
| PHONES | Stereo minijack | 10 mW | 32 ohms |
| LINE (ANALOG) OUT | Phono jacks | 2 Vrms (at 50 kilohms) | Over 10 kilohms |
| DIGITAL (OPTICAL) OUT | Square optical connector jack | -18 dBm | Optical wave length: 660 nm |

General

Power requirements

| Where purchased | Power requirements |
|--------------------|---------------------------------|
| Continental Europe | 220-230 V AC, 50/60 Hz |
| UK, Hong Kong | 220-240 V AC, 50/60 Hz |
| US, Canada | 120 V AC, 60 Hz |
| Other countries | 110-120, 220-240 V AC, 50/60 Hz |

Power consumption 20 W

Dimensions (approx.) (w/h/d) incl. projecting parts
280 × 90 × 282.5 mm
(11 1/8 × 3 5/8 × 11 1/8 in.)

Mass (approx.) 2.8kg (6 lbs 3 oz)

Supplied accessories

- Audio connecting cords (2)
- Optical cable (1)
- Remote commander (remote) RM-D7M (1)
- Sony SUM-3 (NS) batteries (2)

Design and specifications are subject to change without notice.

9-960-934-12

2004I02-1

© 2004.09

Sony Corporation

Audio Group

Published by Sony Engineering Corporation

MINI DISC DECK

SONY®

CAUTION

Danger of explosion if battery is incorrectly replaced.
Replace only with the same or equivalent type recommended by the equipment manufacturer.
Discard used batteries according to manufacture's instructions.

ADVARSEL!

Lithiumbatteri - Eksplosionsfare ved fejlagtig håndtering.
Udskiftning må kun ske med batteri af samme fabrikat og type.
Levér det brugte batteri tilbage til leverandøren.

ADVARSEL

Eksplosjonsfare ved feilaktig skifte av batteri.
Benytt samme batteritype eller en tilsvarende type anbefalt av
apparatfabrikanten.

Brukte batterier katterier kasseres i henhold til fabrikantens

VARNIG

Explosionsfara vid felaktigt batteribyte.
Använd samma batterityp eller en likvärdig typ som rekommenderas
av apparattillverkaren.
Kassera använt batteri enligt gällande föreskrifter.

VAROITUS

Parist voi räjähtää, jos se on virheellisesti asennettu.
Vaihda paristo ainoastaan laitevalmistajan suositttelemaan tyyppiin.
Hävitätä käytetty paristo valmistajan ohjeiden mukaisesti.

The laser component in this product is capable of emitting radiation exceeding the limit for Class 1.

CLASS 1 LASER PRODUCT
LUOKAN 1 LASERLAITE
KLASS 1 LASERAPPARAT

This appliance is classified as a CLASS 1 LASER product. The CLASS 1 LASER PRODUCT MARKING is located on the rear exterior.

The following caution label is located inside the unit.

| | |
|----------|---|
| CAUTION | ; INVISIBLE LASER RADIATION WHEN OPEN. AVOID EXPOSURE TO BEAM. |
| ADVARSEL | ; USYNLIG LASERSTRÅLING VED ÅBNING NÅR SIKKERHEDSAFBRYDERE ER UDE AF FUNKTION. UNDGÅ UDSÆTTELSE FOR STRÅLING. |
| VARO! | ; AVAITAESSA JA SUOJALUKITUS OHITETTAESSA DLET ALTTIINA LASERSÄTELYLLE. |
| VARNING | ; LASERSTRÅLING NÅR DENNA DEL ÄR OPPNÅD OCH SPARREN ÄR URKOPPLAD. |
| ADVARSEL | ; USYNLIG LASERSTRÅLING NÅR DEKSEL ÅPNES UNNGÅ EKSPONERING FOR STRÅLEN. |

CAUTION

Use of controls or adjustments or performance of procedures other than those specified herein may result in hazardous radiation exposure.

Notes on chip component replacement

- Never reuse a disconnected chip component.
- Notice that the minus side of a tantalum capacitor may be damaged by heat.

Flexible Circuit Board Repairing

- Keep the temperature of soldering iron around 270°C during repairing.
- Do not touch the soldering iron on the same conductor of the circuit board (within 3 times).
- Be careful not to apply force on the conductor when soldering or unsoldering.

SAFETY-RELATED COMPONENT WARNING !!

COMPONENTS IDENTIFIED BY MARK \triangle OR DOTTED LINE WITH MARK \triangle ON THE SCHEMATIC DIAGRAMS AND IN THE PARTS LIST ARE CRITICAL TO SAFE OPERATION. REPLACE THESE COMPONENTS WITH SONY PARTS WHOSE PART NUMBERS APPEAR AS SHOWN IN THIS MANUAL OR IN SUPPLEMENTS PUBLISHED BY SONY.

ATTENTION AU COMPOSANT AYANT RAPPORT À LA SÉCURITÉ!!

LES COMPOSANTS IDENTIFIÉS PAR UNE MARQUE \triangle SUR LES DIAGRAMMES SCHÉMATIQUES ET LA LISTE DES PIÈCES SONT CRITIQUES POUR LA SÉCURITÉ DE FONCTIONNEMENT. NE REMPLACER CES COMPOSANTS QUE PAR DES PIÈCES SONY DONT LES NUMÉROS SONT DONNÉS DANS CE MANUEL OU DANS LES SUPPLÉMENTS PUBLIÉS PAR SONY.

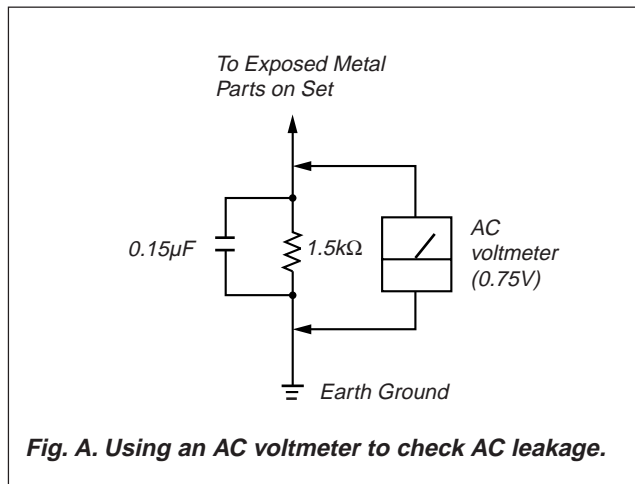
SAFETY CHECK-OUT

After correcting the original service problem, perform the following safety checks before releasing the set to the customer: Check the antenna terminals, metal trim, “metallized” knobs, screws, and all other exposed metal parts for AC leakage. Check leakage as described below.

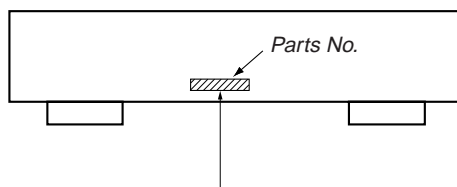
LEAKAGE

The AC leakage from any exposed metal part to earth Ground and from all exposed metal parts to any exposed metal part having a return to chassis, must not exceed 0.5 mA (500 microampers). Leakage current can be measured by any one of three methods.

1. A commercial leakage tester, such as the Simpson 229 or RCA WT-540A. Follow the manufacturers’ instructions to use these instruments.
2. A battery-operated AC milliammeter. The Data Precision 245 digital multimeter is suitable for this job.
3. Measuring the voltage drop across a resistor by means of a VOM or battery-operated AC voltmeter. The “limit” indication is 0.75 V, so analog meters must have an accurate low-voltage scale. The Simpson 250 and Sanwa SH-63Trd are examples of a passive VOM that is suitable. Nearly all battery operated digital multimeters that have a 2V AC range are suitable. (See Fig. A)



MODEL IDENTIFICATION — BACK PANEL —



| Parts No. | Model | Product country |
|---------------|-----------------|-----------------|
| 4-989-525-1 □ | US model | MALAYSIA |
| 4-989-525-2 □ | Canadian model | MALAYSIA |
| 4-989-525-3 □ | AEP model | MALAYSIA |
| 4-989-525-4 □ | UK model | MALAYSIA |
| 4-989-525-5 □ | Singapore model | MALAYSIA |
| 4-989-525-6 □ | Hong Kong model | MALAYSIA |
| 4-989-525-7 □ | Tourist model | JAPAN |

TABLE OF CONTENTS

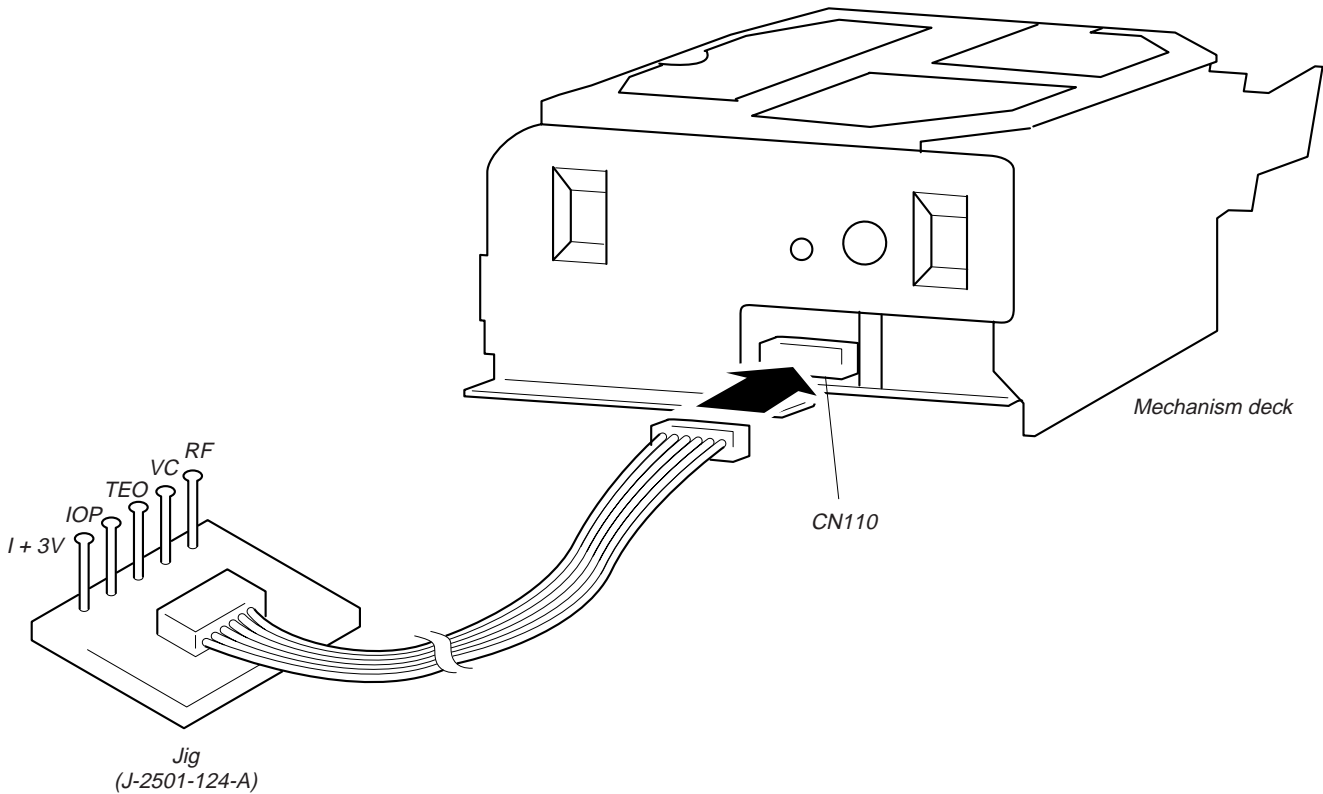
| | |
|---|----|
| 1. SERVICING NOTE | 5 |
| 2. GENERAL | 8 |
| 3. DISASSEMBLY | |
| 3-1. Front Panel | 22 |
| 3-2. Back Panel and Main Board | 23 |
| 3-3. Bracket (T), (L) and (R) | 24 |
| 3-4. BD Board | 24 |
| 3-5. SUB Chassis | 25 |
| 3-6. Shutter Assembly | 25 |
| 3-7. Over Write Head | 26 |
| 3-8. Slider Complete Assembly | 27 |
| 4. TEST MODE | 28 |
| 5. ELECTRICAL ADJUSTMENTS | 31 |
| 6. DIAGRAMS | |
| 6-1. Circuit Boards Location | 36 |
| 6-2. Block Diagrams | |
| • BD Section | 37 |
| • Main Section | 39 |
| 6-3. Printed Wiring Board — BD Section — | 42 |
| 6-4. Schematic Diagram — BD Section — | 45 |
| 6-5. Schematic Diagram — Main Section — | 49 |
| 6-6. Printed Wiring Board — Main Section — | 53 |
| 6-7. Schematic Diagram — Panel Section — | 55 |
| 6-8. Printed Wiring Board — Panel Section — | 57 |
| 6-9. IC Block Diagrams | 60 |
| 6-10. IC Pin Functions | 65 |
| 7. EXPLODED VIEWS | |
| 7-1. Main Section | 74 |
| 7-2. Front Panel Section | 75 |
| 7-3. Mechanism Deck Section (1) (MDM-3B) | 76 |
| 7-4. Mechanism Deck Section (2) (MDM-3B) | 77 |
| 8. ELECTRICAL PARTS LIST | 78 |

SECTION 1 SERVICING NOTE

JIG FOR CHECKING BD BOARD WAVEFORM

The special jig (J-2501-124-A) is useful for checking the waveform of the BD board. The names of terminals and the checking items to be performed are shown as follows.

- I+3V : For measuring IOP (Check the deterioration of the optical pick-up laser)
- IOP : For measuring IOP (Check the deterioration of the optical pick-up laser)
- TEO : TRK error signal (Traverse adjustment)
- VC : Reference level for checking the signal
- RF : RF signal (Check jitter)



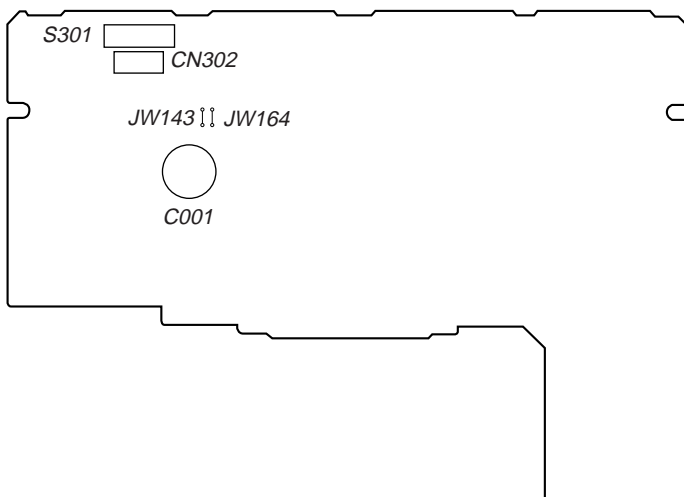
FORCED RESET

The system microprocessor can be reset in the following way.
Use these methods when the unit cannot be operated normally due to the overrunning of the microprocessor, etc.

Method :

Disconnect the power plug, short-circuit JW143 and JW164 on the main board with a pincette or etc.

[MAIN BOARD] (Component Side)



RETRY CAUSE DISPLAY MODE

- In this test mode, the causes for retry of the unit during recording can be displayed on the fluorescent display tube. This is useful for locating the faulty part of the unit.
- The data amount stored in D RAM, number of retries, and retry cause are displayed. Each is displayed in hexadecimal number.
- The display of the D RAM data amount enables data reading, accumulation, ejection, and writing to be performed smoothly. If writing is not smooth, data may decrease considerably.

Method:

1. Load a recordable disc whose contents can be erased into the unit.
2. Press the EDIT/NO button several times to display “All Erase?” on the fluorescent display tube.
3. Press the YES button.
4. When “All Erase??” is displayed on the fluorescent display tube, the numbers on the music calendar will start blinking.
5. Press the YES button to display “Complete”, and press the ■ button immediately and continue pressing for about 10 seconds.
6. When the “TOC” displayed on the fluorescent display tube goes off, release the ■ button.
7. Press the ● button to start recording.
8. Press the DISPLAY/CHAR button to display the test mode (Fig. 1), and check the display.
9. The Rt value increases with each retry. If an error occurs after a retry, “Retry Error” will be displayed, and the number of retries counted will be set back to 0.
10. To exit the test mode, press the POWER button. Turn OFF the power, and after “TOC” disappears, disconnect the power plug from the outlet.

Fig. 1 Reading the Test Mode Display

SC @@ Rt ## **

Fluorescent Display Tube Signs

@@ : Displays the DRAM memory amount when at all times.

: Displays the number of retries. When a retry error occurs, the number will be set back to 0.

** : Cause of retry

All three displays above are in hexadecimal numbers.

Reading the Retry Cause Display

| | Higher Bits | | | | Lower Bits | | | | Hexa- decimal | Cause of Retry | Occurring conditions |
|-------------|-------------|----|----|----|------------|----|----|----|------------------|-----------------------|---|
| Hexadecimal | 8 | 4 | 2 | 1 | 8 | 4 | 2 | 1 | | | |
| Bit | b7 | b6 | b5 | b4 | b3 | b2 | b1 | b0 | | | |
| Binary | 0 | 0 | 0 | 0 | 0 | 0 | 0 | 0 | 00 | Spindle is slow | When spindle rotation is detected as slow |
| | 0 | 0 | 0 | 0 | 0 | 0 | 0 | 1 | 01 | (Not used) | (Not used) |
| | 0 | 0 | 0 | 0 | 0 | 0 | 1 | 0 | 02 | ader5 | When ADER was counted more than five times continuously |
| | 0 | 0 | 0 | 0 | 0 | 1 | 0 | 0 | 04 | Discontinuous address | When ADIP address is not continuous |
| | 0 | 0 | 0 | 0 | 1 | 0 | 0 | 0 | 08 | (Not used) | (Not used) |
| | 0 | 0 | 0 | 1 | 0 | 0 | 0 | 0 | 10 | FCS incorrect | When not in focus |
| | 0 | 0 | 1 | 0 | 0 | 0 | 0 | 0 | 20 | IVR rec error | When ABCD signal level exceeds the specified range |
| | 0 | 1 | 0 | 0 | 0 | 0 | 0 | 0 | 40 | CLV unlock | When CLV is unlocked |
| | 1 | 0 | 0 | 0 | 0 | 0 | 0 | 0 | 80 | Access fault | When access operation is not performed normally |

Reading the Display:

Convert the hexadecimal display into binary display. If more than two causes, they will be added.

Example

When 42 is displayed:

Higher bit : 4 = 0100 → b6

Lower bit : 2 = 0010 → b1

In this case, the retry cause is combined of “CLV unlock” and “ader5”.

When A2 is displayed:

Higher bit : A = 1010 → b7+b5

Lower bit : 2 = 0010 → b1

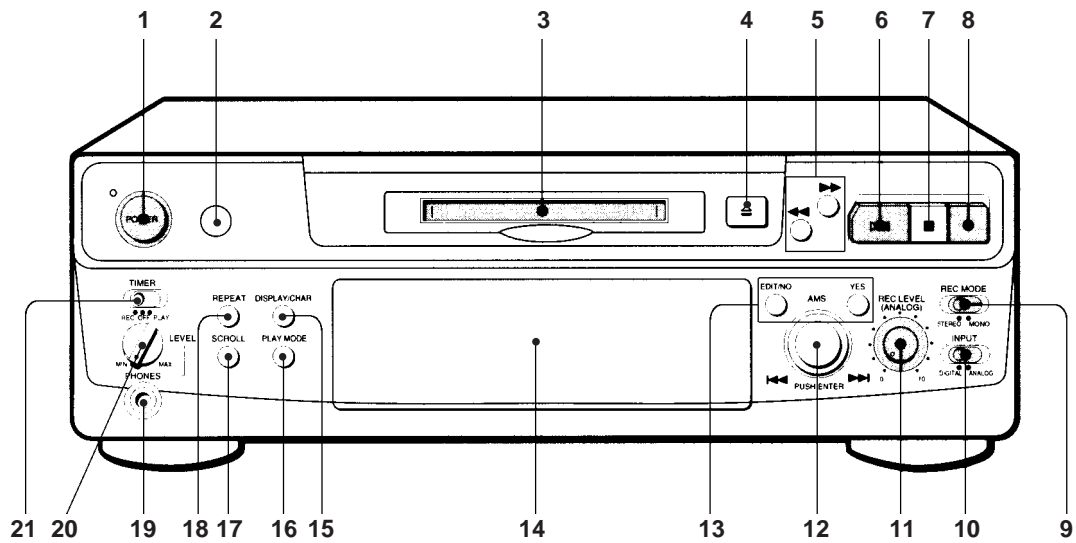
The retry cause in this case is combined of “access fault”, “IVR rec error”, and “ader5”.

Hexadecimal → Binary Conversion Table

| Hexadecimal | Binary | Hexadecimal | Binary |
|-------------|--------|-------------|--------|
| 0 | 0000 | 8 | 1000 |
| 1 | 0001 | 9 | 1001 |
| 2 | 0010 | A | 1010 |
| 3 | 0011 | B | 1011 |
| 4 | 0100 | C | 1100 |
| 5 | 0101 | D | 1101 |
| 6 | 0110 | E | 1110 |
| 7 | 0111 | F | 1111 |

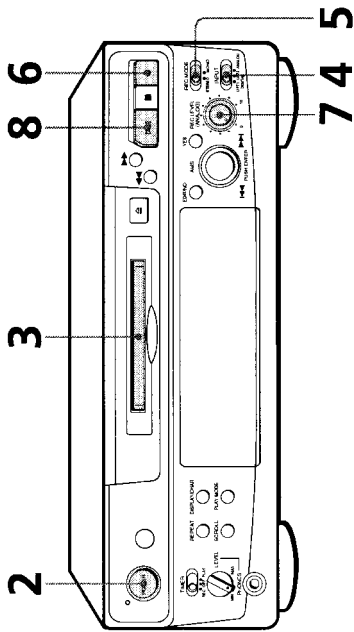
SECTION 2 GENERAL

Location of Parts and Controls

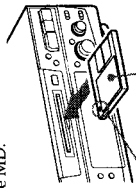


- | | | | |
|----|--|----|-------------------------|
| 1 | POWER switch | 11 | REC LEVEL (ANALOG) knob |
| 2 | Remote sensor | 12 | AMS knob |
| 3 | Disc compartment | 13 | EDIT/NO/YES buttons |
| 4 | ⏏ (eject) button | 14 | Display window |
| 5 | ⏮/⏭ (fast backward/fast forward) buttons | 15 | DISPLAY/CHAR button |
| 6 | ▶⏸ (play/pause) button | 16 | PLAY MODE button |
| 7 | ■ (stop) button | 17 | SCROLL button |
| 8 | ● (recording) button | 18 | REPEAT button |
| 9 | REC MODE switch | 19 | PHONES jack |
| 10 | INPUT switch | 20 | PHONES LEVEL knob |
| | | 21 | TIMER switch |

Recording on an MD



- 1** Turn on the amplifier and play the program source you want to record.
- 2** Press POWER. The POWER indicator turns off.
- 3** Insert a recordable MD.



With the arrow pointing this way

If the MD has a recorded material on it, the deck will automatically start recording from the end of the last recorded track.

- 4** Set INPUT to the corresponding input connector.

| | |
|--------------------------|---------------------|
| To record through | Set INPUT to |
| DIGITAL (OPTICAL) IN1 | DIGITAL OPT1 |
| DIGITAL (OPTICAL) IN2 | DIGITAL OPT2 |
| LINE (ANALOG) IN | ANALOG |

Monitor audio during recording
 Even if you set REC MODE to MONO, the monitor signal does not become monaural.

- 5** Set REC MODE to the mode you want to record in.

| | |
|---------------------|--------------------------|
| To record in | Set REC MODE** to |
| Stereo sound | STEREO |
| Monaural sound** | MONO |

* If you switch REC MODE during recording or recording pause, recording steps.
 ** In the monaural recording, you can record about two times longer than in the stereo recording.

- 6** Press ●. The deck becomes ready to record.
- 7** When recording the analog input signal, adjust the recording level with REC LEVEL. The fourth dot is satisfactory for most purposes. For details, refer to "Adjusting the Recording Level" on page 11.
- 8** Press ▷||| (or ▷>). Recording starts.
- 9** Start playing the program source.

Do not disconnect the deck from the power source immediately after recording

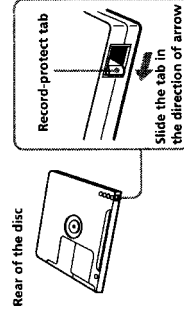
If you do, recorded material may not be saved to the MD. To save the material after recording, press ⏏ to take out the MD or charge the deck to standby by pressing POWER. "TOC" will flash in the display at this time. After "TOC" stops flashing and goes out, you can pull out the AC power cord.

- To**
- | | | |
|------------------|--------------|---|
| Step recording | ■ | Press |
| Pause recording* | ▷ (or) | Press the button again to resume recording. |
| Take out the MD | ⏏ | after stopping recording |

* Whenever you pause recording, the track number increases by one. For example, if you paused recording while recording on track 4, the track number increases by one and recording continues on the new track when restarted.

To protect an MD against accidental erasure

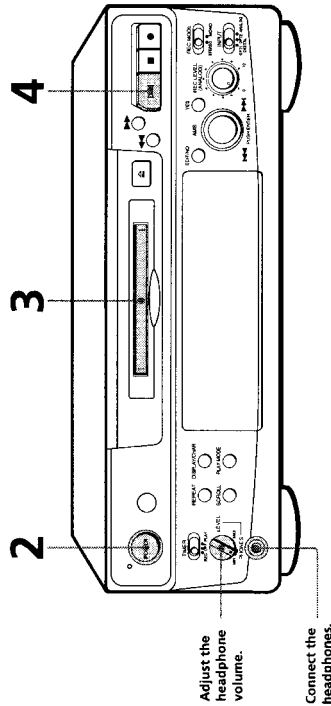
To make it impossible to record on an MD, slide the tab in the direction of arrow, opening the slot. To allow recording, close the slot.



Rear of the disc

This section is extracted from instruction manual.

Playing an MD



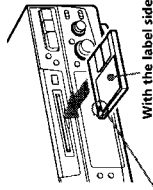
Adjust the headphone volume.

Connect the headphones.

1 Turn on the amplifier and set the source selector to the position for MD deck.

2 Press POWER. The POWER indicator turns off.

3 Insert an MD.



With the arrow pointing this way

4 You can locate and play back a track while the deck is stopped

- 1 Turn AMS (or press **◀** or **▶**) until the number of the track you want to play appears.
- 2 Press AMS or **▶** (or **▶**).

4 Press **▷** (or **▷**). The deck starts playing. Adjust the volume on the amplifier.

To Do the following:

- Stop playing: Press **■**
- Pause playing: Press **⏸** (or **⏸**). Press the button again to resume playing.
- Go to the next track: Turn AMS clockwise (or press **▶** on the remote).
- Go to the preceding track: Turn AMS counterclockwise (or press **◀** on the remote).
- Take out the MD: Press **⏏** after stopping playing.

Notes on Recording

If "Protected" appears in the display The MD is record-protected. Close the slot to record on the disc (see "To protect an MD against accidental erasure" on page 7).

If "Din Unlock" flashes in the display

- The digital program source is not connected as you set with INPUT in Step 4 on page 6.
- To continue, connect the program source properly.
- The program source is not on.
- Turn on the program source.

Depending on source being recorded, track numbers are marked in following ways:

- When recording from a CD or MD with INPUT at DIGITAL OPT1/OPT2 and the source connected through DIGITAL (OPTICAL) IN1/IN2.

The deck automatically marks track numbers in the same sequence as the original. If, however, a track is repeated two or more times (e.g. by single-track repeat play) or two or more tracks with the same track number (e.g. from different MDs or CDs) are played, the track or tracks are recorded as part of a single, continuous track with a single track number.

If the source is an MD, track numbers may not be marked for tracks of less than 4 seconds.

- When recording from source connected through LINE (ANALOG) IN with INPUT at ANALOG, and "LEVEL-SYNC" does not light up (see "Marking Track Numbers while Recording" on page 12) or when recording from DAT or satellite broadcasts connected through DIGITAL (OPTICAL) IN1/IN2 with INPUT at DIGITAL OPT1/OPT2:

The source will be recorded as a single track. You can divide the track afterwards using the Divide Function (see "Dividing Recorded Tracks" on page 26) or mark track numbers during recording by using the Track Marking Function on page 12.

If "LEVEL SYNC" appears in the display, the deck automatically marks track numbers when recording analog source or digital recording of DAT or satellite broadcasts (see "Marking track numbers automatically" on page 12).

- When recording from DAT or satellite broadcasts with INPUT at DIGITAL OPT1/OPT2, the deck automatically marks a track number whenever the sampling frequency of the input signal changes.

When "TOC" flashes in the display

The deck is currently updating the Table Of Contents (TOC). Do not move the deck or pull out the AC power cord. Changes to an MD made through recording are saved only when you update the TOC by ejecting the MD or changing the deck to standby by pressing POWER.

The MD deck uses the SCMS (Serial Copy Management System on page 35)

MDs recorded through digital input connector cannot be copied onto other MDs or DAT tapes through the digital output connector.

When recording digital signals that have been emphasized (in the higher frequencies)

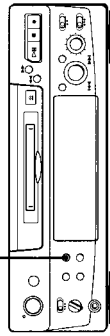
The signal is automatically de-emphasized (with attenuation proportional to the degree of emphasis) and the level of the de-emphasized signal is indicated on the peak level meters.

When the deck is recording or in recording pause, digital signals input through DIGITAL (OPTICAL) IN1/IN2 are output to DIGITAL (OPTICAL) OUT with the same sampling rate.

To change the digital input signal to another sampling rate for output (without recording it to an MD), use Input Monitor Function (see page 10).

Useful Tips for Recording

DISPLAY/CHAR



Checking the remaining recordable time on the MD

- When you press DISPLAY/CHAR while recording, the remaining recordable time on the MD appears.
- When you press DISPLAY/CHAR repeatedly while the deck is stopped, the display changes as follows: total recorded time, remaining recordable time on the MD, disc name (see page 17).

(Continued)

Monitoring the input signal (Input Monitor)

Before starting recording, you can monitor the selected input signal through the deck's output connectors.

- 1 Press \ominus to remove the MD.
- 2 Set INPUT according to the input signal you want to monitor.

When INPUT is at ANALOG

The analog signal input through LINE (ANALOG) IN is output to DIGITAL (OPTICAL) OUT after A/D conversion, and then to the LINE (ANALOG) OUT connectors and PHONES jack after D/A conversion.

When INPUT is at DIGITAL OPT1/OPT2

The digital signal input through DIGITAL (OPTICAL) IN1/IN2 is output to DIGITAL (OPTICAL) OUT after passing through the sampling rate converter, and then to the LINE (ANALOG) OUT connectors and PHONES jack after D/A conversion.

Note

Even if you set REC. MODE to MONO, the monitor signal does not become monaural.

- 3 Press \bullet .

If INPUT is at ANALOG, "AD-DA" appears in the display.

If INPUT is at DIGITAL OPT1/OPT2, "-DA" appears in the display.

If "Auto Cut" appears in the display (Auto Cut)

There has been no sound input for 30 seconds while INPUT is set to DIGITAL OPT1/OPT2 and the source is connected through DIGITAL (OPTICAL) IN1/IN2. The 30 seconds of silence are replaced by a blank of about 3 seconds and the deck changes to recording pause.

You can turn off the Auto Cut Function

For details, see "If "Smart Space" appears in the display".

If "Smart Space" appears in the display (Smart Space)

There has been an extended silence of 4 to 30 seconds in length when INPUT is set to DIGITAL OPT1/OPT2 and the source is connected through DIGITAL (OPTICAL) IN1/IN2.

The silence is replaced with a blank of about 3 seconds and the deck continues recording. Note that the tracks before and after this three-second space may be recorded as a single track with a single track number.

To turn off the Smart Space Function and Auto Cut Function

- 1 During recording pause, press EDIT/NO repeatedly until "S. Space ?" appears in the display.
- 2 Press YES.
- 3 Press EDIT/NO to display "S. Space OFF".

To turn on the Smart Space Function and Auto Cut Function again

- 1 During recording pause, press EDIT/NO repeatedly until "S. Space ?" appears in the display.
- 2 Press YES twice to display "S. Space ON".

Notes

- When you turn off the Smart Space Function, the Auto Cut Function is also turned off automatically.
- The Smart Space Function and Auto Cut Function are factory set to on.
- The Smart Space Function does not affect the order of the track numbers being recorded, even if the blank space occurs in the middle of a track.
- If you turn off the deck or disconnect the AC power cord, the deck will recall the last setting (on or off) of the Smart Space and Auto Cut Functions the next time you turn on the deck.

Playing back tracks just recorded

Do this procedure to immediately play back tracks that have just been recorded.

Press \triangleright || (or \triangleleft) immediately after stopping

recording.

Playback starts from the first track of the material just recorded.

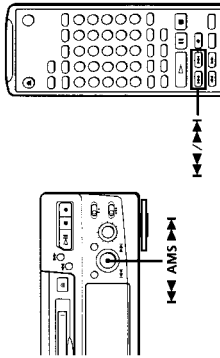
To play from the first track of the MD after recording

- 1 Press \blacksquare again after stopping recording.
- 2 Press \triangleright || (or \triangleleft).

Playback starts from the first track of the MD.

Recording Over Existing Tracks

Follow the procedure below to record over existing material just as you would on an analog cassette tape.



- 1 Do Steps 1 to 5 in "Recording on an MD" on page 6.

- 2 Turn AMS (or press \lll or \ggg) until the number of the track to be recorded over appears.

- 3 To record from the start of the track, continue from Step 6 in "Recording on an MD" on page 7.

While "TRACK" flashes in the display

The deck is recording over an existing track, and stops flashing when it reaches the end of the recorded portion.

To record from the middle of the track

- 1 After Step 2 above, press \triangleright || (or \triangleleft) to start playback.
- 2 Press \triangleright || (or \lll) where you want to start recording.
- 3 Continue from Step 6 in "Recording on an MD" on page 7.

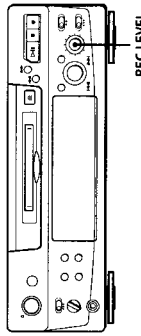
Note

You cannot record from the middle of an existing track when the "PROGRAM" or "SHUFFLE" is on.

Adjusting the Recording Level

When recording with INPUT at ANALOG and the signal input through LINE (ANALOG) IN jacks, use REC LEVEL to adjust the recording level before starting recording.

You cannot adjust the recording level during digital recording.



- 1 Do Steps 1 to 6 in "Recording on an MD" on pages 6 and 7.

- 2 Play the portion of the program source with the strongest signal level.

- 3 While monitoring the sound, turn REC LEVEL to adjust the recording level so that the peak level meters reach their highest point without turning on the OVER indication. Occasional lighting of "OVER" is acceptable.



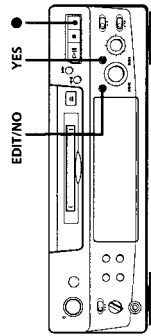
Without turning on the OVER indication

- 4 Stop playing the program source.

- 5 To start recording, do the procedure starting from Step 8 in "Recording on an MD" on page 7.

Marking Track Numbers while Recording (Track Marking)

You can mark track numbers either manually or automatically. By marking track numbers at specific points, you can quickly locate the points later using the AMS Function or Editing Functions.



Marking track numbers manually (Manual Track Marking)

You can mark track numbers at any time while recording on an MD.

Press **●** at the place you want to add a track mark while recording.

Marking track numbers automatically (Automatic Track Marking)

The deck adds track marks differently in the following cases:

- When recording from CDs or MDs with INPUT at DIGITAL OPTI/OPT2 and the source connected through DIGITAL (OPTICAL) IN1/IN2: The deck marks track numbers automatically. When you record from a CD or MD, the track numbers are marked as they are found on the original.
- When recording with INPUT at ANALOG and the source connected through LINE (ANALOG) IN, or when recording from DAT or satellite broadcasts with INPUT at DIGITAL OPT1/OPT2 and the DAT or satellite broadcasts connected through DIGITAL (OPTICAL) IN1/IN2:

The deck marks a new track number whenever the signal level drops and rises to a certain point (Automatic Track Marking). If "LEVEL-SYNC" does not light up, set the LevelSync to ON as follows:

- Press EDIT/NO to display "LevelSync ?" during recording or recording pause.
- Press YES twice to display "LevelSync ON." "LEVEL-SYNC" appears in the display.

To cancel Automatic Track Marking

- Press EDIT/NO during recording or recording pause. "LevelSync ?" appears in the display.
 - Press YES.
 - Press EDIT/NO. "LevelSyncOFF" appears in the display.
- The signal level must remain low for 2 or more seconds before a new track number is marked.

When you want to mark track numbers after you've finished recording

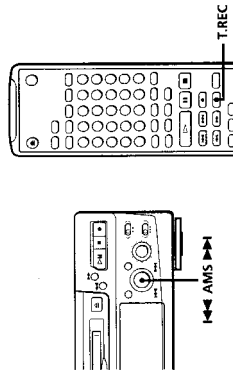
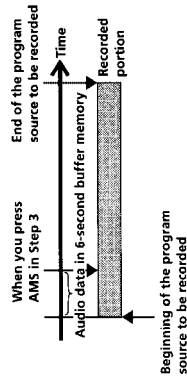
Use the Divide Function (see "Dividing Recorded Tracks" on page 26).

Note

If you turn off the deck or disconnect the AC power cord, the deck will recall the last setting (LevelSync on or off) of the Automatic Track Marking Function the next time you turn on the deck.

Starting Recording with 6 Seconds of Prestored Audio Data (Time Machine Recording)

When recording from an FM or satellite broadcast, the first few seconds of material are often lost due to the time it takes you to ascertain the contents and press the record button. To prevent the loss of this material, the Time Machine Recording Function constantly stores 6 seconds of the most recent audio data in a buffer memory so that when you begin recording the program source, the recording actually begins with the 6 seconds of audio data stored in the buffer memory in advance, as shown in the illustration below:



- Do Steps 1 to 6 in "Recording on an MD" on pages 6 and 7. The deck changes to recording pause.
- Start playing the program source you want to record. The most recent 6 seconds of audio data is stored in the buffer memory.

- Press AMS (or T.REC) to start Time Machine Recording. Recording of the program source starts with the 6 seconds of audio data stored in the buffer memory.

To stop Time Machine Recording

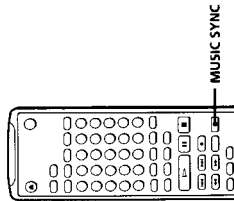
Press **■**

Note

The deck starts storing audio data when the deck is in recording pause and you start playing the program source. With less than 6 seconds of playing of the program source and audio data stored in the buffer memory, Time Machine Recording starts with less than 6 seconds of audio data.

Synchro-Recording with Audio Equipment of Your Choice

By using the MUSIC SYNC button on the remote, you can automatically start recording in sync with the signal input from the program source through the LINE (ANALOG) IN jacks or the respective digital input connector (Music Synchro-Recording). The method of marking track numbers differs, depending on the program source being recorded and how the deck is connected to the program source. (See "Notes on Recording" on page 9.)



- 1 Do Steps 1 to 5 in "Recording on an MD" on page 6.
- 2 Press MUSIC SYNC.
The deck changes to recording pause.
- 3 Start playing the program source you want to record.
The deck starts recording automatically.

To stop Music Synchro-Recording

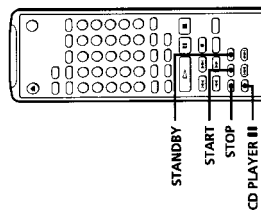
Press ■.

Note
When Music Synchro-Recording, the Smart Space Function and the Auto Cut Function turn on automatically regardless of their setting (on or off) and type of input (digital or analog).

Synchro-Recording with a Sony CD Player

By connecting your deck to a Sony CD player or Hi-Fi Component System, you can easily dub CDs onto MDs using the CD synchro buttons on the remote. If your deck is connected to a Sony CD player by a digital input cable, track numbers are automatically marked as appear on the original regardless of whether "LevelSync ON" or "LevelSyncOFF" is selected. If your deck is connected to a Sony CD player by audio connecting cords through LINE (ANALOG) IN, track numbers are automatically marked when you select "LevelSync ON" (see "Marking Track Numbers while Recording" on page 12).

As the same remote controls both the CD player and the deck, you may have trouble operating both units if they are far from each other. If you do, place the CD player close to this deck.



- 1 Set the source selector on the amplifier to CD.
- 2 Do Steps 2 to 5 in "Recording on an MD" on page 6 to prepare the deck for recording.
- 3 Insert a CD into the CD player.
- 4 Select the playback mode (Shuffle Play, Program Play, etc.) on the CD player.

You can also do synchro-recording with a Sony video CD player

Using the procedure for synchro-recording with a Sony CD player, you can do synchro-recording with a Sony video CD player also.

To select the video CD player, press button number 2 while pressing down the POWER button before starting the procedure.

To select the CD player again, press button number 1 while pressing down the POWER button.

The deck is factory set to a CD player for synchro-recording.

You can check the remaining recordable time on the MD

Press DISPLAY (see page 17).

5 Press STANDBY.

The CD player pauses for playing and the deck pauses for recording.

6 Press START.

The deck starts recording and the CD player starts playback.

The track number and elapsed recording time of the track appear in the display.

If the CD player does not start playing

Some CD player models may not respond when you press START on the remote of the deck. Press ■ on the remote of the CD player instead.

7 Press STOP to stop synchro-recording.

To pause recording

Press STANDBY or CD PLAYER II.
To restart recording, press START or CD PLAYER II.
A new track number is marked each time you pause recording.

Note

When using the supplied remote for synchro-recording, set the mode selector on the CD player to CD1.

You can use the remote of the CD player during synchro-recording

When you press ■, the CD player stops and the deck pauses for recording.

When you press ■, the CD player pauses and the deck pauses for recording.
To restart synchro-recording, press ▢.

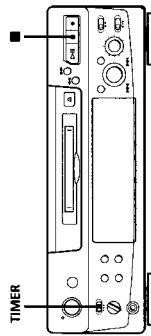
You can change CDs during synchro-recording

Do the following steps instead of Step 7 above.

- 1 Press ■ on the remote of the CD player.
The deck pauses for recording.
- 2 Change the CD.
- 3 Press ▢ on the remote of the CD player.
Synchro-recording restarts.

Recording on an MD Using a Timer

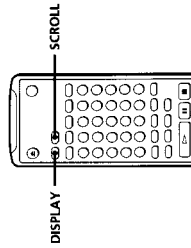
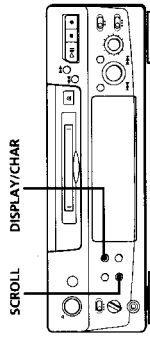
By connecting a timer (not supplied) to the deck, you can start and stop recording operations at specified times. For further information on connecting the timer and setting the starting and ending times, refer to the instructions that came with the timer.



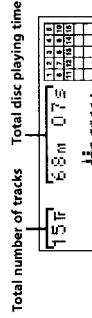
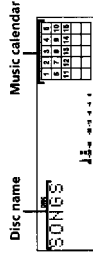
- 1 Do Steps 1 to 7 in "Recording on an MD" on pages 6 and 7.
- 2 If you want to specify the time for the start of recording, press ■.
- 3 If you want to specify the time for the end of recording, do Steps 8 and 9 of "Recording on an MD" on page 7.
- 4 If you want to specify the time for both start and end of recording, press ■.
- 5 Set TIMER on the deck to REC.
- 6 Set the timer as required.
 - When you have set the time for the start of recording, the deck turns off. When the specified time arrives, the deck turns on and starts recording.
 - When you have set the time for the end of recording, recording continues. When the specified time arrives, the deck stops recording and turns off.
 - When you have set the time for both the start and end of recording, the deck turns off. When the starting time arrives, the deck turns on and starts recording. When the ending time arrives, the deck stops recording and turns off.

Using the Display

You can use the display to check disc and track information such as the total track number, total playing time of the tracks, remaining recordable time of the disc and disc name.



When you insert an MD, the disc name, total number of tracks, and total disc playing time appear in the display as follows:



The disc name appears, followed by the total number of tracks (Tr) and total disc playing time. A music calendar showing all the track numbers appears within a grid if the MD is a premastered disc, or without a grid if the MD is a recordable disc. If the total track number exceeds 25, ► appears to the right of number 25 in the music calendar. To label a recordable disc and its tracks, see "Labeling Recordings" on page 29.

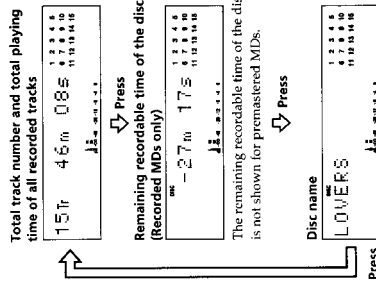
Note

When you insert a new MD or turn off the deck and turn it on again, the last item displayed will reappear. If, however, you disconnect the AC power cord, the display will show the total track number and total playing time of all recorded tracks the next time you turn on the deck, no matter what the last display was.

(Continued)

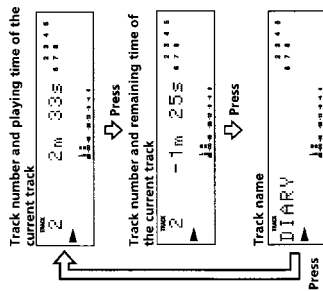
Checking the total track number, total disc playing time, remaining recordable time of the disc and the title of the disc

Each time you press DISPLAY/CHAR (or DISPLAY) while the deck is stopped, you can change the display as follows:



Checking remaining time and the title of a track

Each time you press DISPLAY/CHAR (or DISPLAY) while playing an MD, you can change the display as shown below. The track numbers in the music calendar disappear after they are played.



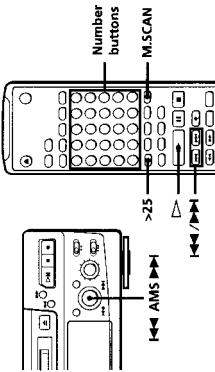
If no title is recorded, "No Name" appears, followed by the elapsed playing time.

You can check the track name at any time while playing an MD

Press SCROLL. Since the display shows up to 12 characters at a time, press SCROLL again to see the rest of the track title if the title has 13 characters or more. Press SCROLL again to pause scrolling, and again to continue scrolling.

Locating a Specific Track

You can quickly locate any track while playing a disc by using AMS (Automatic Music Sensor), AMS and AMS, number buttons or M.SCAN on the remote.



To locate

- The next or succeeding tracks** During playback, turn AMS clockwise (or press AMS repeatedly) until you find the track.
- The current or preceding tracks** During playback, turn AMS counterclockwise (or press AMS repeatedly) until you find the track.
- A specific track directly** Press number buttons to enter the track number.
- A specific track by using AMS**
 - 1 Turn AMS until the track number you want to locate appears while the deck is stopped. (The track number is flashing.)
 - 2 Press AMS or D.HI.
- By scanning each track for 6 seconds (music scan)**
 - 1 Press M.SCAN before you start playing.
 - 2 When you find the track you want, press AMS to start playing.

When you directly locate a track with a number over 25 (1)

You must press >25 first, before entering the corresponding digits. Press >25 once if it is a 2-digit track number, and twice if it is a 3-digit track number. To enter "0," press button 10. Examples:

- To play track number 30: Press >25 once, then 3 and 10.
- To play track number 100: Press >25 twice, then 1, 10 and 10.

You can extend the playing time during music scan

While the deck is stopped, press M.SCAN repeatedly until the playing time you want (6, 10 or 20 seconds) appears in the display. Each press changes the time in order of 6 to 20, then from 6 again.

To pause playing at the beginning of a track

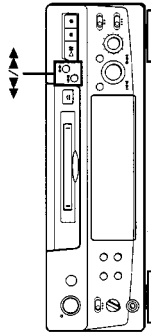
Turn AMS (or press AMS or AMS) after pausing playback.

To go quickly to the beginning of the last track

Turn AMS counterclockwise (or press AMS) while the display shows the total track number and total disc playing time, remaining recordable time of the disc, or disc name (see page 17).

Locating a Particular Point in a Track

You can also use AMS and AMS to locate a particular point in a track during playback or playback pause.



To locate a point

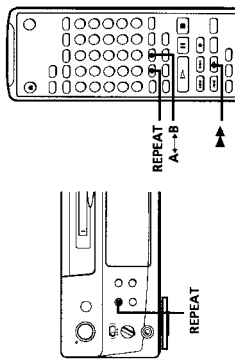
- While monitoring the sound**
 - Press AMS (forward) or AMS (backward) and keep pressing until you find the point.
- Quickly by observing the display during playback pause**
 - Press AMS or AMS and keep pressing until you find the point. There is no sound output during this operation.

Notes

- If the disc reaches the end while you are pressing AMS during playback pause, "OVER" appears in the display. Press AMS (or AMS) or turn AMS counterclockwise to go back.
- If the disc reaches the end while you are pressing AMS during sound monitoring, the deck stops.
- Tracks that are only a few seconds long may be too short to scan using the search function. For such tracks, it is better to play the MD at normal speed.

Playing Tracks Repeatedly

You can play tracks repeatedly in any play mode.



Press REPEAT.

"REPEAT" appears in the display. The deck repeats the tracks as follows:

When the MD is played in

| When the MD is played in | The deck repeats |
|--------------------------|--------------------------------|
| Normal play (page 8) | All the tracks |
| Shuffle Play (page 21) | All the tracks in random order |
| Program Play (page 21) | The same program |

To cancel repeat play

Press REPEAT several times until "REPEAT" disappears. The deck returns to the original playing mode.

Repeating the current track

While the track you want to repeat is playing in normal play, press REPEAT several times until "REPEAT" appears in the display.

Repeating a specific portion (A-B Repeat)

You can play a specific portion of a track repeatedly. This might be useful when you want to memorize lyrics. Note that you can only repeat a portion within the boundaries of a single track.

- 1 While playing a disc, press A+B at the starting point (point A) of the portion to be played repeatedly. "REPEAT A-" flashes in the display.
- 2 Continue playing the track or press B until you reach the ending point (point B), then press A+B again. "REPEAT A-B" lights continuously. The deck starts to play the specified portion repeatedly.

To cancel A-B Repeat
Press REPEAT or ■.

Setting new starting and ending points

You can repeat the portion immediately after the currently specified portion by changing the starting and ending points.

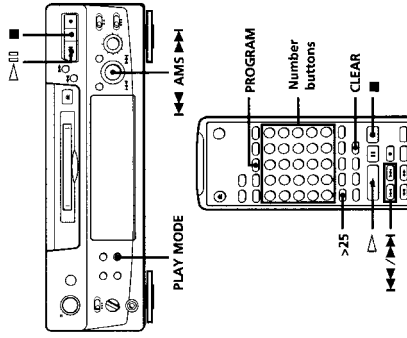
- 1 Press A+B while "REPEAT A-B" appears. The current ending point B becomes the new starting point A and "REPEAT A-" flashes in the display.
- 2 Continue playing the track or press B until you reach the new ending point (point B), then press A+B again. "REPEAT A-B" lights continuously and the deck starts playing repeatedly the newly specified portion.

Note

If you turn off the deck or disconnect the AC power cord, the deck will recall the last setting of the Repeat Function the next time you turn on the deck. The A-B Repeat settings, however, are lost.

Creating Your Own Program (Program Play)

You can specify the playback order of the tracks on an MD and create your own programs containing up to 25 tracks.



- 1 Press PLAY MODE repeatedly (or PROGRAM once) until "PROGRAM" appears in the display when the deck is stopped.

2 Do either a) or b):

a) When using the remote

Press the number buttons to enter the tracks you want to program in the order you want. To program a track with a number over 25, use the >25 button (see page 19).

If you've made a mistake

Press CLEAR, then program the right track.

b) When using the controls on the deck

- 1 Turn AMS until the track number you want appears in the display.
- 2 Press AMS or PLAY MODE.

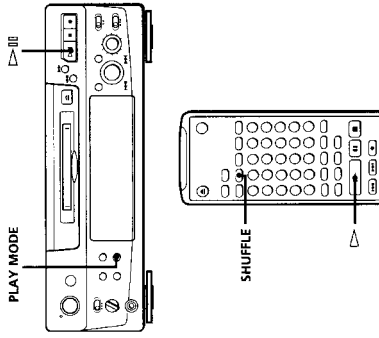
- 3 Repeat Step 2 to enter other tracks. Each time you enter a track, the total program time is added up and appears in the display.

- 4 Press D/E (or D) to start Program Play.

(Continued)

Playing in Random Order (Shuffle Play)

You can have the deck "shuffle" tracks and play them in random order.



- 1 Press PLAY MODE repeatedly (or SHUFFLE once) until "SHUFFLE" appears in the display when the deck is stopped.

2 Press D/E (or D) to start Shuffle Play.

"S" appears in the display while the deck is "shuffling" the tracks.

To cancel Shuffle Play

Press PLAY MODE repeatedly (or CONTINUE once) until "SHUFFLE" disappears when the deck is stopped.

You can specify tracks during Shuffle Play

- To play the next track, turn AMS clockwise (or press B).
- To play from the beginning of the current track again, turn AMS counter-clockwise (or press A). You cannot use AMS (or A) to go to tracks that have already been played.

To cancel Program Play

Press PLAY MODE repeatedly (or CONTINUE once) until "PROGRAM" disappears when the deck is stopped.

You can program the same track repeatedly

While the track number appears in the display, press AMS as many times as you want.

The program remains even after Program Play ends

When you press Dwell (or Dwell), you can play the same program again.

Notes

- The program created by the Program Play Function is lost when you turn off the deck or disconnect the AC power cord. The program is, however, recalled during timer playback.
- The display shows "m-s" instead of the total playing time when the total playing time of the program exceeds 160 minutes.

Checking the track order

You can check the order of tracks in your program during playback or playback pause.

Turn AMS (or press Left Arrow or Right Arrow) during playback or playback pause. The track numbers appear in the order they were programmed.

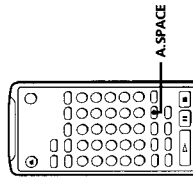
Changing the track order

You can change the order of the tracks in your program before you start playing.

| To | Do the following: |
|---|---|
| Erase the last track in the program. I | Press CLEAR. Each time you press the button, the last track will be cleared. |
| Add tracks to the end of the program | Do Steps 2 and 3 in "Creating Your Own Program." |
| Change the whole program completely | <ol style="list-style-type: none"> Press ■ while the deck is stopped. Do Steps 2 and 3 in "Creating Your Own Program." |

Useful Tips when Recording from MDs to Tape

The Auto Space and Auto Pause Functions described in this section make recording from MDs to tape more easy.



Inserting blank spaces while recording to tape (Auto Space)

The Auto Space Function inserts a 3-second blank space between each track while recording from MDs to tapes, allowing you to use the AMS function during later playback.

Press A.SPACE repeatedly until "A.SPACE" appears in the display.

To cancel Auto Space

Press A.SPACE repeatedly until "A.SPACE" disappears.

Note

If the Auto Space Function is on while recording a selection containing multiple track numbers, (for example, a medley or symphony), blank spaces will be inserted within the selection whenever the track number changes.

Pausing after each track (Auto Pause)

When the Auto Pause Function is on, the deck pauses after playing each track. Auto Pause is convenient when recording single tracks or multiple, non-consecutive tracks.

Press A.SPACE repeatedly until "A.PAUSE" appears in the display.

To restart playback

Press Dwell (Dwell or II).

To cancel Auto Pause

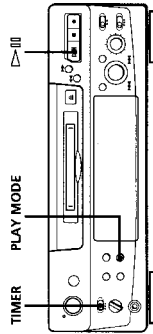
Press A.SPACE repeatedly until "A.PAUSE" disappears.

Note

If you turn off the deck or disconnect the AC power cord, the deck will recall the last setting of the Auto Space and Auto Pause Functions the next time you turn on the deck.

Playing an MD Using a Timer

By connecting a timer (not supplied) to the deck, you can start and stop playback operations at specified times. For further information on connecting the timer or setting the starting and ending times, refer to the instructions that came with the timer.



- Set the timer as required.
 - When you have set the time for the start of playback, the deck turns off. When the specified time arrives, the deck turns on and starts playing.
 - When you have set the time for the end of playback, playback continues. When the specified time arrives, the deck stops playing and turns off.
 - When you have set the time for both the start and end of playback, the deck turns off. When the starting time arrives, the deck turns on and starts playing. When the ending time arrives, the deck stops playing and turns off.
- After you have finished using the timer, set TIMER on the deck to OFF.

Note

You can select Program Play in Step 2. Note, however, that programs eventually fade away when the standby status is off, and therefore if you set the time too far in the future, the program may be gone when the specified time arrives. If this has occurred, the deck enters normal play mode at the specified time and the tracks play in consecutive order.

- Do Steps 1 to 3 in "Playing an MD" on page 8.

- Press PLAY MODE repeatedly (or one of the PLAY MODE buttons once) to select the play mode you want. To play only specific tracks, create a program (see page 21).

- If you want to specify the time for the start of playback, go to Step 4.
 - If you want to specify the time for the end of playback, press Dwell (or Dwell) to start playback, then go to Step 4.
 - If you want to specify the time for both start and end of playback, go to Step 4.

- Set TIMER on the deck to PLAY.

Notes on Editing

You can edit the recorded tracks after recording, using the following functions:

- Erase Function allows you to erase recorded tracks simply by specifying the corresponding track number.
- Divide Function allows you to divide tracks at specified points so that you can quickly locate those points afterwards, using the AMS function.
- Combine Function allows you to combine two consecutive tracks into one.
- Move Function allows you to change the order of tracks by moving a specific track to a track position you want.
- Title Function allows you to create titles for your recorded MDs and tracks.

If "Protected" appears in the display

The deck could not edit because the record-protect slot on the MD is open. Edit after closing the slot.

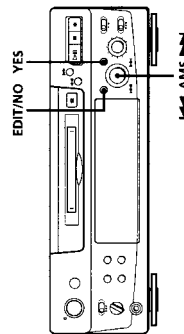
When "TOC" flashes in the display

Do not move the deck or pull out the AC power cord. After editing, "TOC" lights continuously until you select the MD or turn off the power. "TOC" flashes while the deck is updating the TOC. When the deck finishes updating the TOC, "TOC" goes off.

Erasing Recordings (Erase Function)

Do the procedures below to erase following:

- A single track
- All tracks
- Portions of a track (A-B Erase)

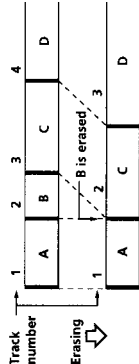


Erasing a single track

You can erase a track simply by specifying the respective track number. When you erase a track, the total number of tracks on the MD decreases by one and all tracks following the erased one are renumbered. Since erasing merely updates the TOC, there is no need to record over material.

To avoid confusion when erasing multiple tracks, you should proceed in order of high to low track number to prevent the renumbering of tracks that have not been erased yet.

Example: Erasing B



1 Turn AMS until the track number you want to erase appears in the display.

2 Press EDIT/NO repeatedly until "Erase ?" appears in the display. The track number you selected starts flashing in the music calendar.

3 Press YES.

When the track selected in Step 1 has been erased, "Complete" appears for a few seconds and the total number of tracks in the music calendar decreases by one.

If you erase a track during playback, the track following the deleted track begins playing afterwards.

4 Repeat Steps 1 to 3 to erase more tracks.

To cancel the Erase Function

Press EDIT/NO or turn AMS to change the track number.

Note

If "Erase ?" appears in the display, the track was recorded or edited on another MD deck and is record-protected. If this indication appears, press YES to erase the track.

Erasing all tracks on an MD

Erasing a recordable MD deletes the disc name, all recorded tracks, and titles.

1 While the deck is stopped, press EDIT/NO repeatedly until "All Erase ?" appears in the display.

2 Press YES. All tracks in the music calendar start flashing.

3 Press YES again.

When the disc name, all recorded tracks, and titles on the MD have been erased, "Complete" appears for a few seconds and the music calendar disappears.

To cancel the Erase Function

Press EDIT/NO or

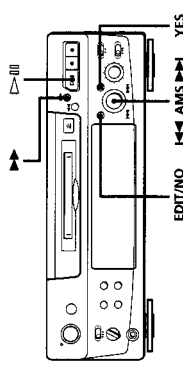
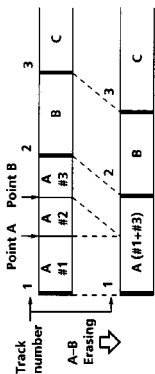
You can undo a track erasure

See "Undoing the Last Edit" on page 31.

Erasing a Portion of a Track (A-B Erase Function)

You can easily erase a portion of a track by specifying the starting and ending points of the portion. This function is useful for erasing unnecessary portions on an MD that you recorded from satellite or FM broadcasts.

Example: Erasing a portion of track A



1 While playing a disc, press >||| (or ||) at the starting point (point A) of the portion to be erased.

2 Press EDIT/NO repeatedly until "A-B Erase ?" appears in the display.

3 Press YES. "Rehearsal" alternates with "Point A ok?" in the display and the starting point A of the portion to be erased plays back repeatedly.

4 If point A is incorrect, press EDIT/NO. (If it is correct, go to Step 7.)

5 While monitoring the sound, turn AMS to find point A.

"Rehearsal" alternates with "Point A ok?" in the display and point A is played back repeatedly. Point A can be moved within a maximum range of -128 to +127 steps of about 0.06 second each within a track.

6 If point A is still incorrect, repeat Step 5 until it is correct.

(Continued)

- Press YES or AMS when point A is correct. After "Point B Set" appears for a few seconds, "►" and "A-B" start flashing, and playback begins so that you can set point B.
- Continue playing the track or press ► until you reach the ending point (point B) of the portion to be erased, then press YES. "Rehearsal" alternates with "Point B ok?" in the display, and the "spliced" portion of the track (after the portion from point A to B has been erased) plays back repeatedly, starting a few seconds before point A and ending a few seconds after point B.

- If point B is incorrect, press EDIT/NO. (If it is correct go to Step 12.)

- While monitoring the sound, turn AMS to find point B. "Rehearsal" alternates with "Point B ok?" in the display, and the "spliced" portion of the track (after the portion from point A to B has been erased) plays back repeatedly. Point B can be moved within a maximum range of -128 to +127 steps of about 0.06 second each within a track.

- If point B is still incorrect, repeat Step 10 until it is correct.

- Press YES or AMS when point B is correct. When the portion from point A to B has been erased, "Complete" appears for a few seconds. Press ■.

To cancel the A-B Erase Function

Press ■.

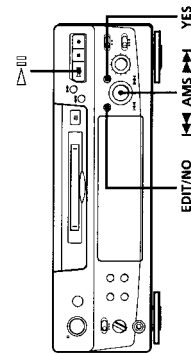
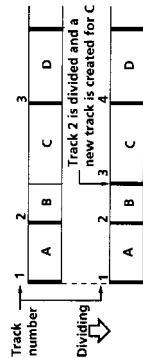
Notes

- If "Impossible" appears in the display, point B was specified before point A. Specify point B so that it comes after point A.
- If "Sorry" appears in the display, a portion of the track cannot be erased. This sometimes happens when you've edited the same track many times, and is due to a technical limitation of the MD system, not a mechanical error.

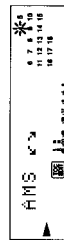
Dividing Recorded Tracks (Divide Function)

With the Divide Function you can assign a track number at places that you want to randomly access afterwards. Use this function to add tracks to MDs recorded from an analog source (and therefore contain no track numbers), or to divide an existing track into multiple portions. When you divide a track, the total number of tracks on the MD increases by one and all tracks following the divided track are renumbered.

Example: Dividing track 2 to create a new track for C



- While playing the MD, press ► (or II) at the point where you want to create a new track. The deck pauses playing.
- Press EDIT/NO repeatedly until "Divide ?" appears in the display.
- Press YES to divide the track. "Rehearsal" alternates with "Position ok?" in the display, the track to be divided starts flashing in the music calendar, and the starting portion of the new track begins playing repeatedly.
- If the starting position is incorrect, press EDIT/NO. (If it is correct, go to Step 7.)



- While monitoring the sound, turn AMS to find the starting position of the new track. The starting portion of the new track is played back repeatedly. "Rehearsal" alternates with "Position ok?" in the display. The starting position can be moved within a maximum range of -128 to +127 steps of about 0.06 second each within a track.
- If the starting position is still incorrect, repeat Step 5 until it is correct.

- Press YES or AMS when the position is correct. When the track has been divided, "Complete" appears for a few seconds and the newly created track begins playing. The new track will have no track title even if the original track was labeled.

To cancel the Divide Function

Press ■.

You can undo a track division

Combine the tracks again (see "Combining Recorded Tracks" on this page) then redivide the tracks if necessary.

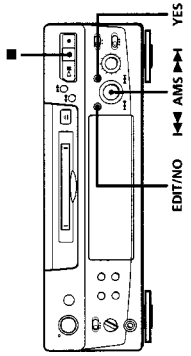
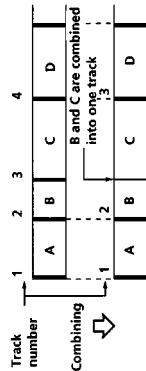
You can divide a track while recording

Use the Track Marking Function (see page 12).

Combining Recorded Tracks (Combine Function)

Use the Combine Function while the deck is stopped, playing or in pause to combine consecutive tracks on a recorded MD. This function is useful for combining several songs into a single medley, or several independently recorded portions into a single track. When you combine two tracks, the total number of tracks decreases by one and all tracks following the combined tracks are renumbered.

Example: Combining B and C



- Turn AMS until the second track of the two to be combined appears. For example, when combining tracks 3 and 4, turn AMS until 4 appears.
- Press EDIT/NO repeatedly until "Combine ?" appears in the display.
- Press YES. "Rehearsal" alternates with "Track ok?" in the display. The place where the two tracks will join (i.e., the end of the first track and the beginning of the second track) repeatedly plays back and the respective track number flashes in the music calendar.
- If the track is the wrong one, press EDIT/NO or ■, then start from Step 1 again.

(Continued)

- 5** If the place is correct, press YES. When the tracks have been combined, "Complete" appears for a few seconds and the total number of tracks in the music calendar decreases by one. If both of the combined tracks have track titles, the title of the second track is erased.

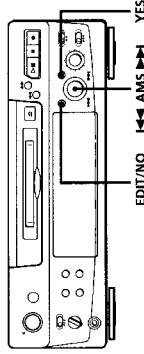
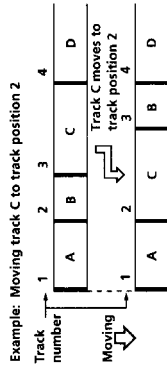
To cancel the Combine Function
Press EDIT/NO or ■.

You can undo a track combination
Divide the tracks again (see "Dividing Recorded Tracks" on page 26), then repeat the combine function with the correct tracks if necessary.

Note
If "Sorry" appears in the display, the tracks cannot be combined. This sometimes happens when you've edited the same track many times, and is due to a technical limitation of the MD system, not a mechanical error.

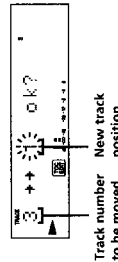
Moving Recorded Tracks (Move Function)

Use the Move Function to change the order of any track. After you move a track, the track numbers between the new and old track positions are automatically renumbered.



- 1** Turn AMS until the track number you want to move appears in the display.
- 2** Press EDIT/NO repeatedly until "Move?" appears in the display.

- 3** Press YES. The track number to be moved and the new track position appears.



- 4** Turn AMS until the new track position appears.

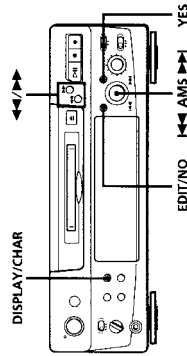


- 5** Press YES or AMS. After you have moved the track, "Complete" appears for a few seconds and the moved track begins playing back if the deck is in playback mode.

To cancel the Move Function
Press EDIT/NO or ■.

Labeling Recordings (Title Function)

You can create titles for your recorded MDs and tracks. Titles — which may consist of uppercase and lowercase letters, numbers and symbols for a maximum of about 1,700 characters per disc — appear in the display during MD operation.



Use the following procedure to label a track or an MD. You can label a track while it is playing, pausing or recording. If the track is playing or recording, be sure to finish labeling before the track ends. If the track ends before you've completed the labeling procedure, the characters already entered are not recorded and the track will remain unlabeled.

- 1** Press EDIT/NO repeatedly until "Name in?" appears in the display, then do the following:

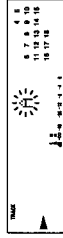
| | |
|-----------------|---|
| To label | Make sure that the deck is playing, pausing, recording or stopped after locating the track to be labeled. |
| An MD | Stopped with no track number appearing in the display. |

- 2** Press YES. A flashing cursor appears in the display.



- 3** Press DISPLAY/CHAR to select the character type as follows:

| | |
|-------------------|-------------------------------------|
| To select | Press DISPLAY/CHAR repeatedly until |
| Uppercase letters | "A" appears in the display |
| Lowercase letters | "a" appears in the display |
| Numbers | "0" appears in the display |



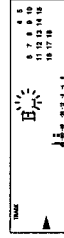
- 4** Turn AMS to select the character.



The selected character flashes. Letters, numbers, and symbols appear in sequential order as you turn AMS. You can use the following symbols in titles: ! " # \$ % & ' () * + , - . / : ; < = > ? @ _

You can press DISPLAY/CHAR to change the character type at any time during Step 4 (see Step 3).

- 5** Press AMS to enter the selected character. The cursor shifts rightward and waits for the input of the next character.



- 6** Repeat Steps 3 to 5 until you have entered the entire title.

If you entered the wrong character
Press ◀ or ▶ until the character to be corrected starts flashing, and repeat Steps 3 to 5 to enter the correct character.

To erase a character
Press ◀ or ▶ until the character to be erased starts flashing, then press EDIT/NO.

To enter a space
Press AMS or ▶ while the cursor is flashing.

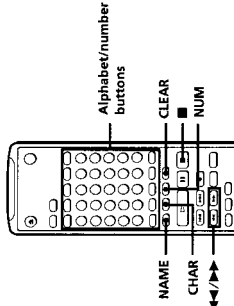
(Continued)

- 7** Press YES.
This completes the labeling procedure and the title appears on the left side of the display.

To cancel labeling
Press ■

Note
You cannot label a track on an MD while you are recording over an existing track.

Labeling tracks and MDs with the remote 



- 1** Press NAME repeatedly until a flashing cursor appears in the display, then do the following:

| | |
|----------------------------|---|
| To label A track | Make sure that the deck is Playing, pausing, recording the track to be labeled, or stopped after locating the track to be labeled |
| An MD | Stopped with no track number appearing in the display |

- 2** Select the character type as follows:

| To select | Press |
|-------------------|---|
| Uppercase letters | CHAR repeatedly until "Selected ABC" appears in the display |
| Lowercase letters | CHAR repeatedly until "Selected abc" appears in the display |
| Numbers | NUM repeatedly until "Selected 123" appears in the display |

- 3** Enter one character at a time.
After you enter a character, the cursor shifts rightward and waits for the input of the next character.

- 4** Repeat Steps 2 and 3 until you have entered the entire title.
If you entered the wrong character
Press ← or → until the character to be corrected starts flashing.
Press CLEAR to erase the incorrect character, then enter the correct one.

- 5** Press NAME again.
The entered title appears on the left side of the display window after the label has been recorded.

To cancel labeling
Press ■

Changing an existing title 

- 1** Press NAME, then do the following:

| | |
|-----------------------------------|--|
| To change A track title | Make sure that the deck is Playing, pausing the track whose title is to be changed, or stopped after locating the track whose title is to be changed |
| A disc name | Stopped with no track number appearing in the display |

- 2** Keep pressing CLEAR (or EDIT/NO on the deck) until the current title is erased.

- 3** Enter the new title.

Do Steps 3 to 6 of "Labeling Recordings" on page 29, or Steps 2 to 4 of "Labeling tracks and MDs with the remote" on this page.


- 4** Press NAME.

Erasing all titles on a disc (Name Erase Function)

Use this function to erase all titles on an MD simultaneously.

- 1** Press EDIT/NO repeatedly while the deck is stopped until "All Erase ?" appears in the display.
2 Press EDIT/NO again.
"Name Erase ?" appears in the display.
3 Press YES.
All titles are erased.

To cancel the Name Erase Function
Press ■

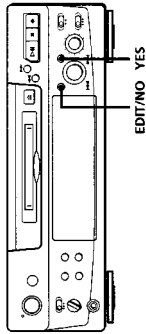
 **You can undo a name erasion**
See "Undoing the Last Edit" on this page.

 **You can erase all recorded tracks and titles**
See "Erasing all tracks on an MD" on page 25.

Undoing the Last Edit (Undo Function)

You can use the Undo Function to cancel the last edit and restore the contents of the MD to the condition that existed before editing was done. Note, however, that you cannot undo an edit if you do any of the following after the edit:

- Press the ● button on the front panel.
- Press the ● button, the MUSIC SYNC button, or the CD-SYNC STANDBY button on the remote.
- Update the TOC by turning off the power or ejecting the MD.
- Disconnect the AC power cord.



- 1** With the deck stopped and no track number appearing in the display, press EDIT/NO repeatedly until "Undo ?" appears in the display. "Undo ?" does not appear if no editing has been done.

- 2** Press YES.
One of the following messages appears in the display, depending on the type of editing to be undone:

| Editing done: | Message: |
|------------------------------|------------------|
| Erasing a single track | |
| Erasing all tracks on an MD | "Erase Undo ?" |
| Erasing a portion of a track | |
| Dividing a track | "Divide Undo ?" |
| Combining tracks | "Combine Undo ?" |
| Moving a track | "Move Undo ?" |
| Labeling a track or an MD | |
| Changing an existing title | "Name Undo ?" |
| Erasing all titles on an MD | |

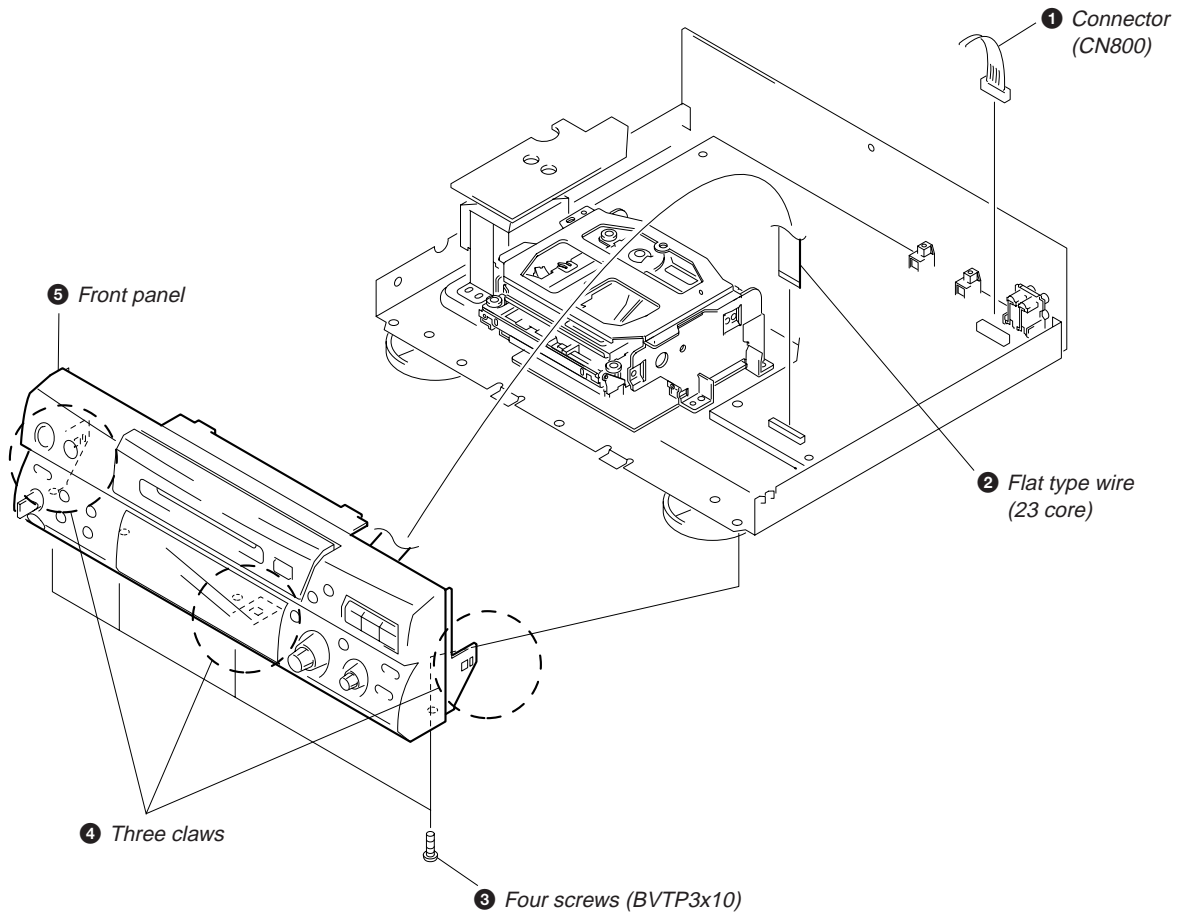
- 3** Press YES again.
"Complete" appears for a few seconds and the contents of the MD are restored to the condition that existed before the edit.

To cancel the Undo Function
Press EDIT/NO or ■

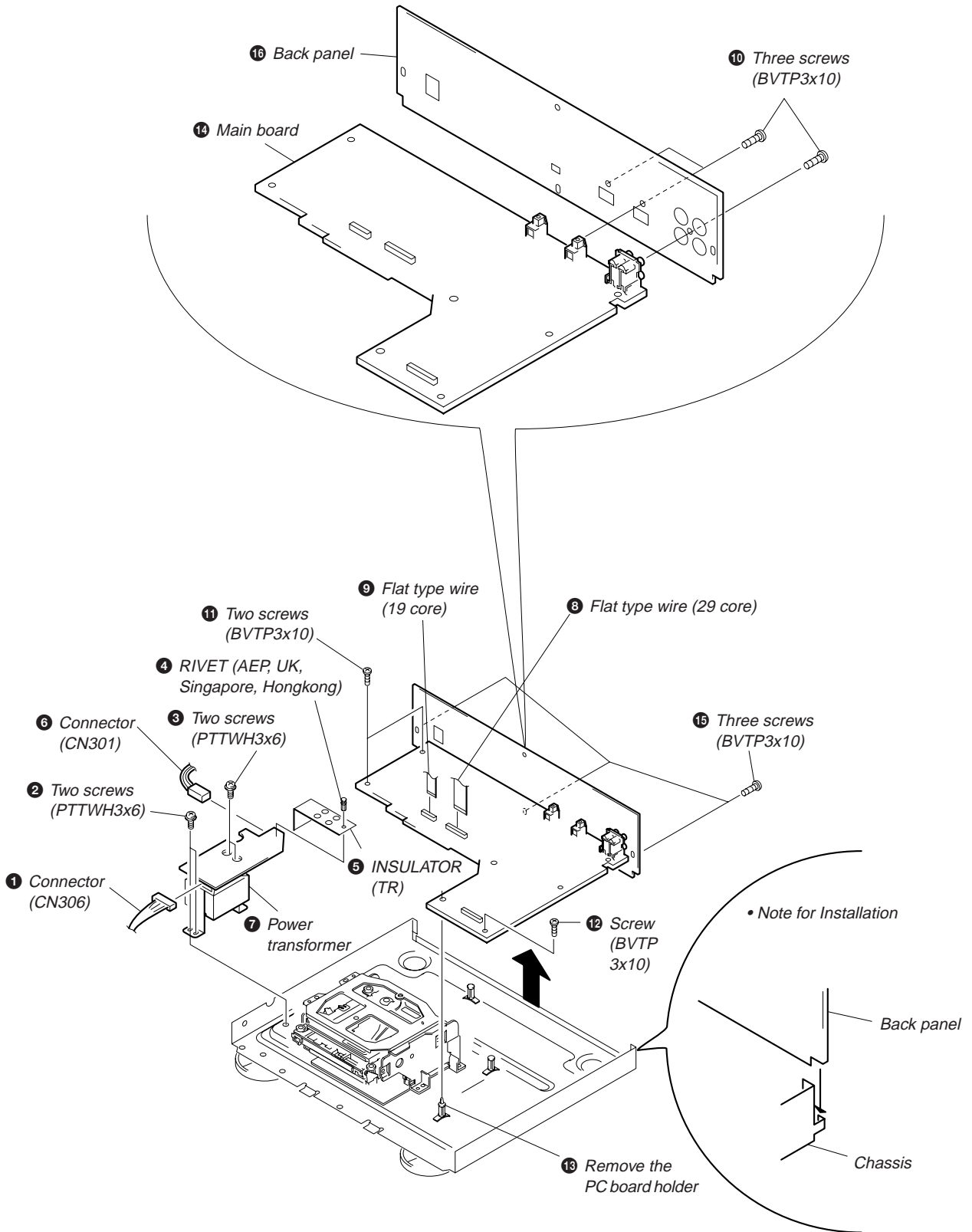
SECTION 3 DISASSEMBLY

Note : Follow the disassembly procedure in the numerical order given.

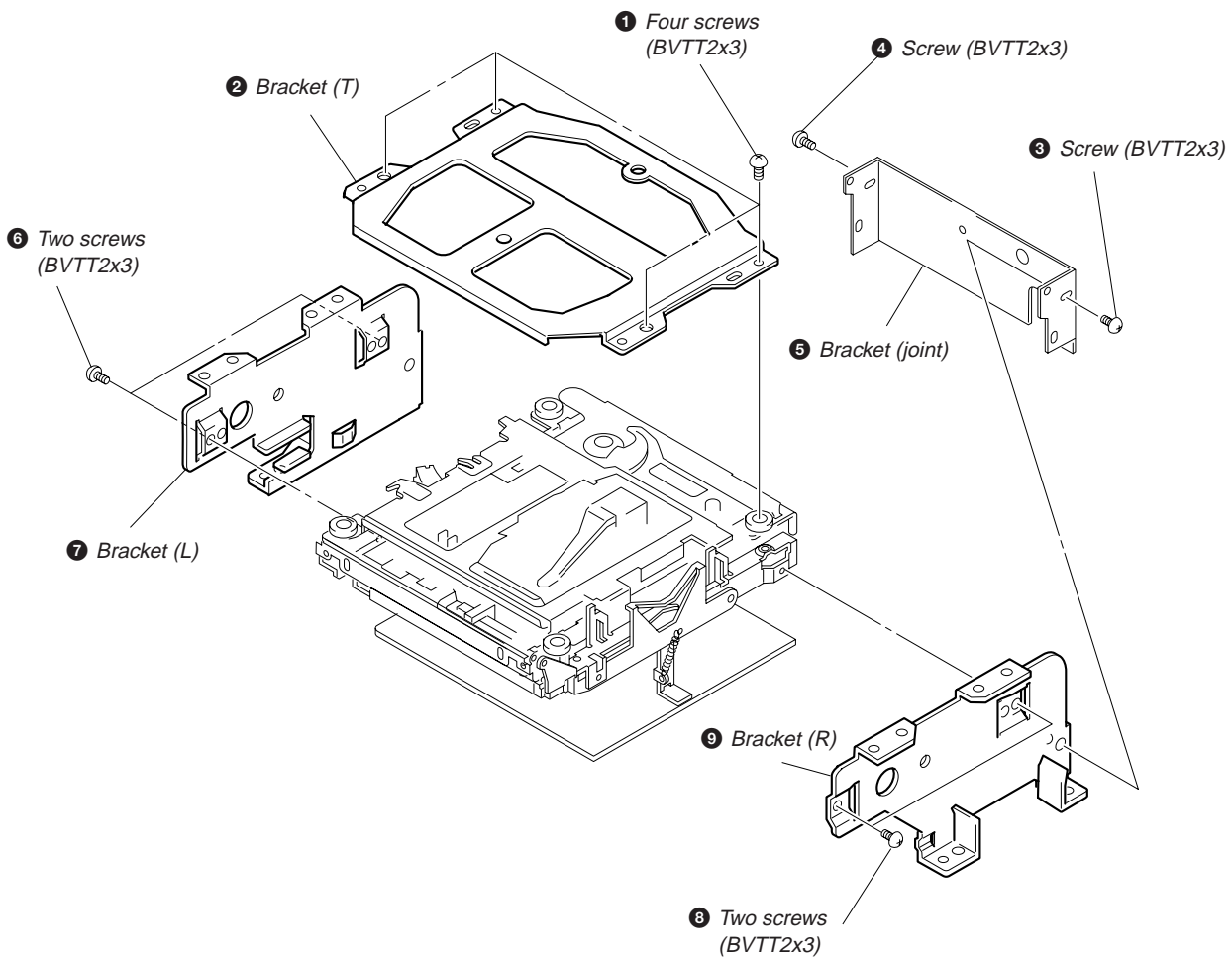
3-1. FRONT PANEL



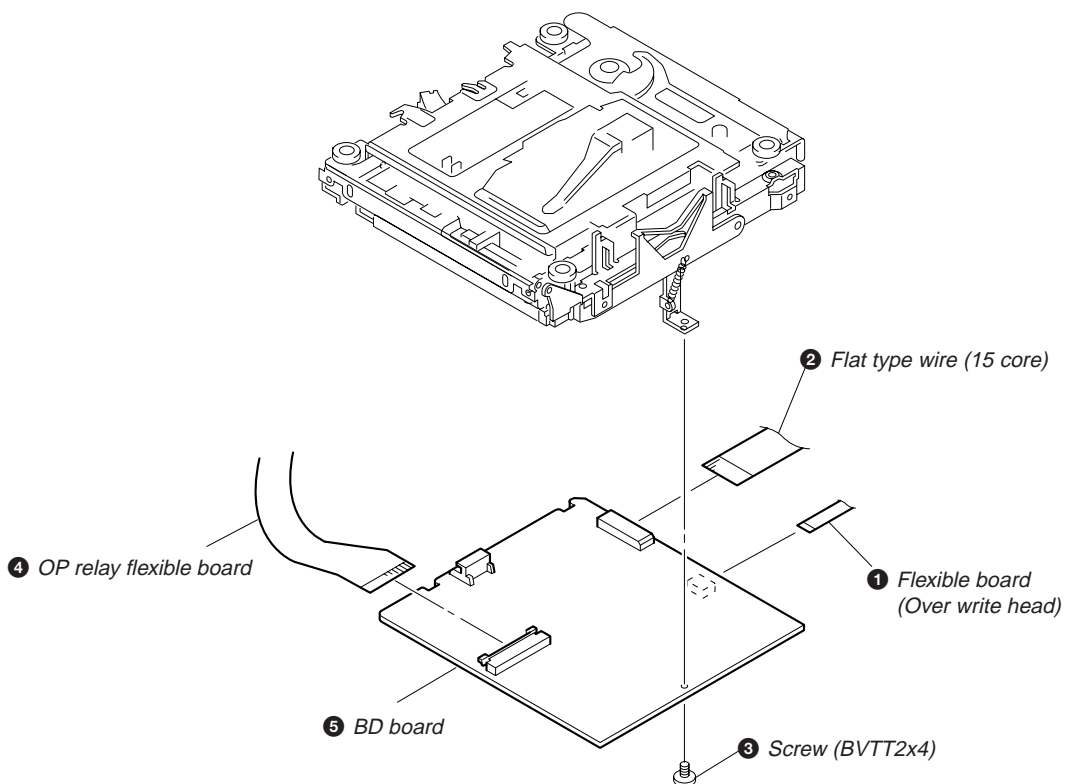
3-2. BACK PANEL AND MAIN BOARD



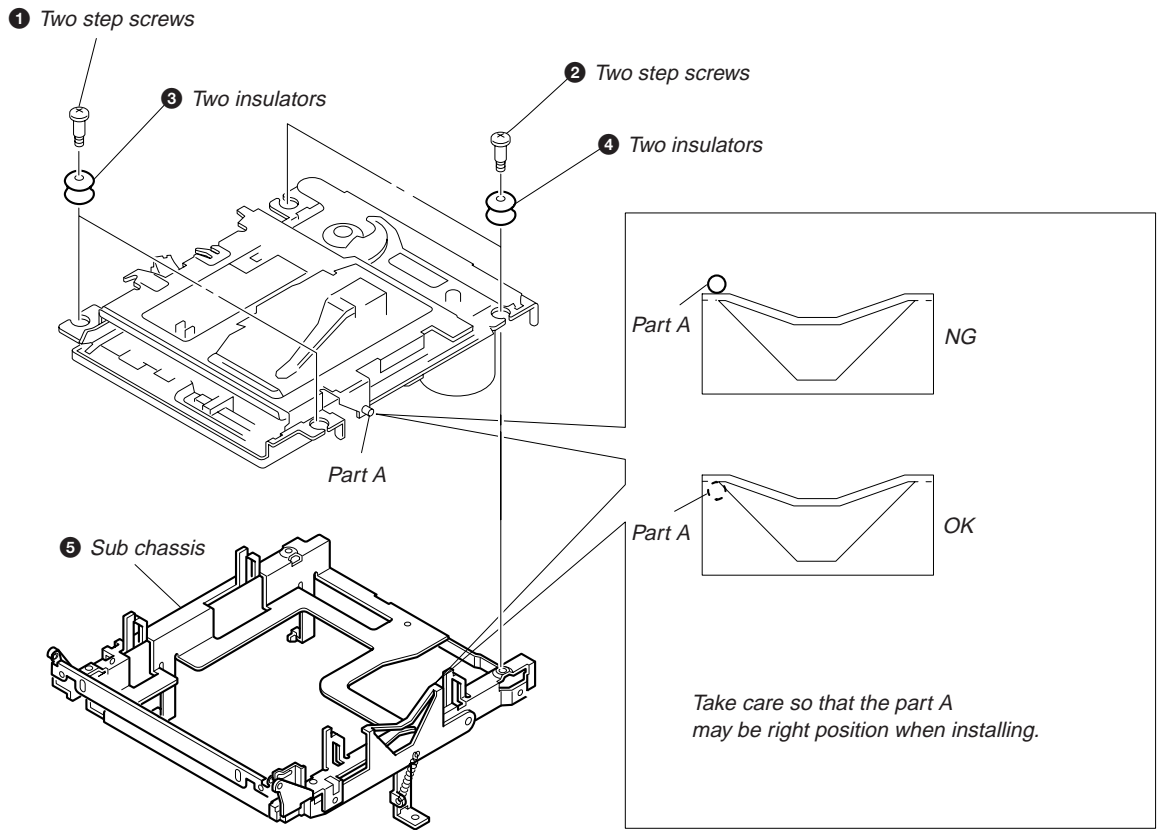
3-3. BRACKET (T), (L) AND (R)



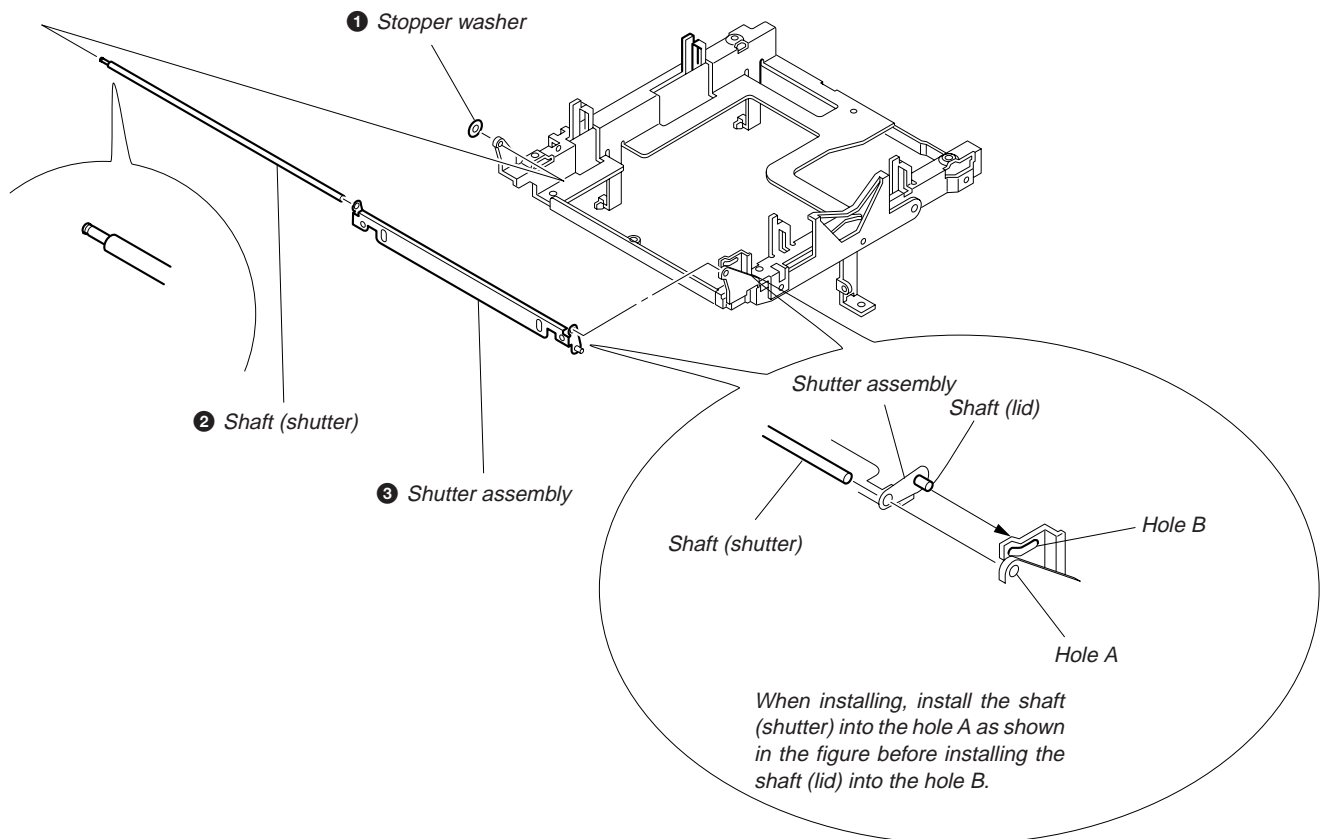
3-4. BD BOARD



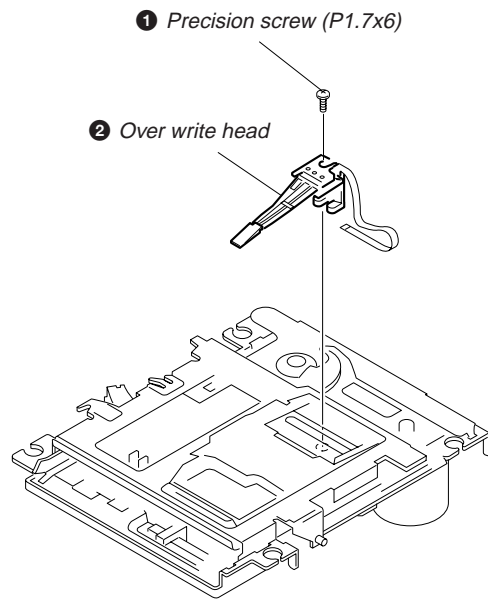
3-5. SUB CHASSIS



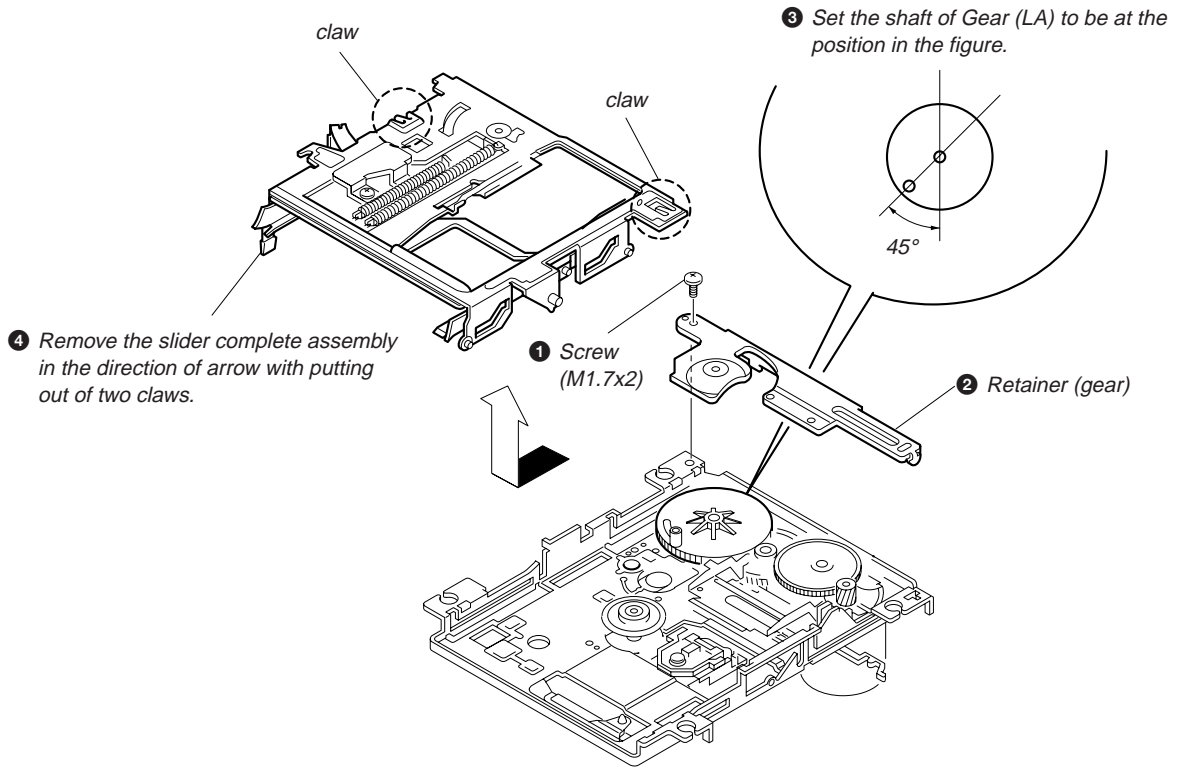
3-6. SHUTTER ASSEMBLY



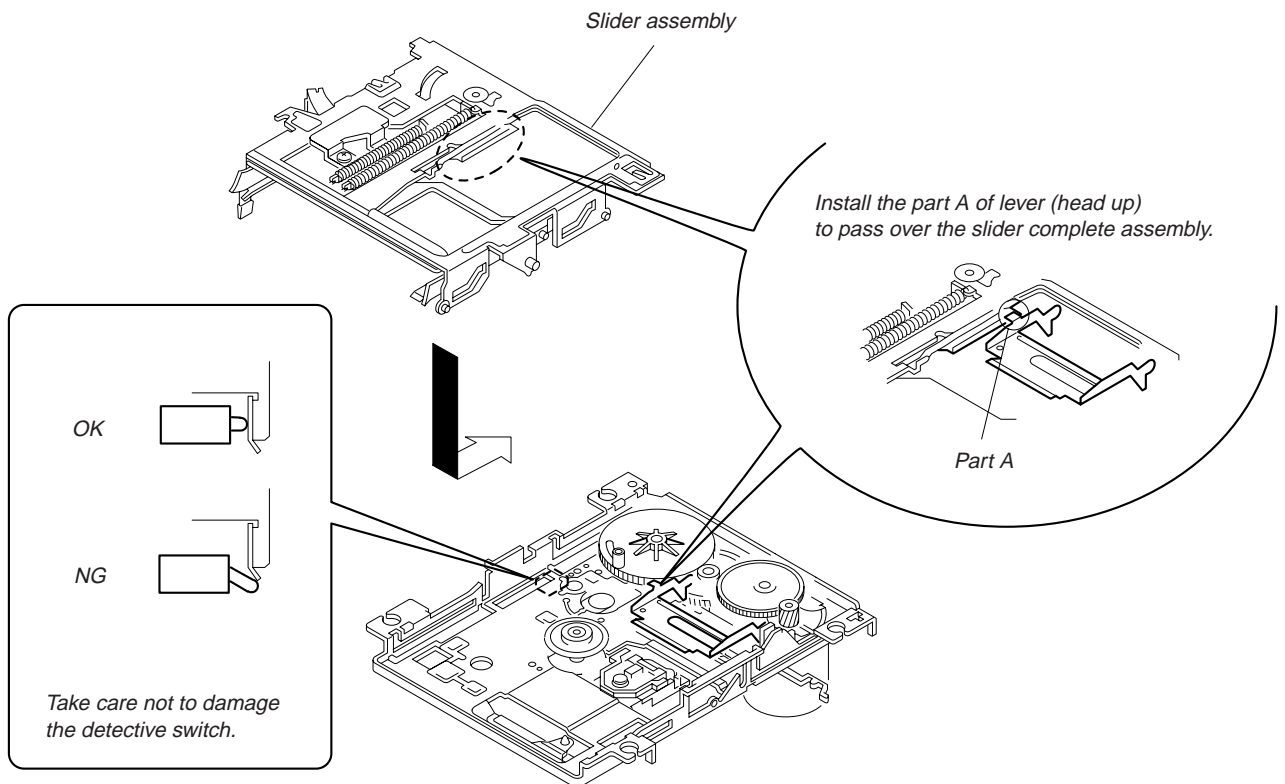
3-7. OVER WRITE HEAD



3-8. SLIDER COMPLETE ASSEMBLY

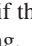
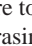
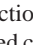


• Note for Installation of Slider Complete Assembly




SECTION 4 TEST MODE

4-1. PRECAUTIONS FOR USE OF TEST MODE

- ① As loading related operations will be performed regardless of the test mode operations being performed, be sure to check that the disc is stopped before setting and removing it.
Even if the  button is pressed while the disc is rotating during continuous playback, continuous recording, etc., the disc will not stop rotating.
Therefore, it will be ejected while rotating.
Be sure to press the  button after pressing the NO button and the rotation of disc is stopped.
- ② The erasing-protection tab is not detected in the test mode. Therefore, operating in the recording laser emission mode and pressing the  button, the recorded contents will be erased regardless of the position of the tab. When using a disc that is not to be erased in the test mode, be careful not to enter the continuous recording mode and traverse adjustment mode.

4-1-1. Recording laser emission mode and operating buttons

1. Continuous recording mode (CREC MODE)
2. Traverse adjustment mode (EFBAL ADJUST)
3. Laser power adjustment mode (LDPWR ADJUST)
4. Laser power check mode (LDPWR CHECK)
5. When pressing the  button.

4-2. SETTING THE TEST MODE

While pressing the AMS knob, insert the power plug into the power supply inlet, and release the AMS knob.

4-3. EXITING THE TEST MODE

When the REPEAT button is pressed, it becomes in the STANDBY mode. Or unplug the power plug from an outlet.

4-4. BASIC OPERATIONS OF THE TEST MODE

All operations are performed using the AMS knob, YES button, and NO button.
The functions of these buttons are as follows.

| Function name | Function |
|---------------|---|
| AMS knob | Changes parameters and modes |
| YES button | Proceeds onto the next step. Finalizes input. |
| NO button | Returns to previous step. Stops operations. |

4-5. SELECTING THE TEST MODE

Thirteen test modes are selected by turning the AMS knob.

| Display | Contents |
|---------------|--|
| TEMP ADJUST | Temperature compensation offset adjustment |
| LDPWR ADJUST | Laser power adjustment |
| LDPWR CHECK | Laser power check |
| EFBAL ADJUST | Traverse adjustment |
| FBIAS ADJUST | Focus bias adjustment |
| FBIAS CHECK | Focus bias check |
| CPLAY MODE | Continuous playback mode |
| CREC MODE | Continuous recording mode |
| DETRK CHECK | Detrack check |
| S curve CHECK | S curve check * |
| EEP MODE | Non-volatile memory mode * |
| MANUAL CMD | Manual command transfer mode * |
| SVDATA READ | Data reading out mode * |

For detailed description of each adjustment mode, refer to “5. Electrical Adjustments”.

If a different adjustment mode has been selected by mistake, press the NO button to exit from this mode.

* The EEP MODE, S curve CHECK, MANUAL CMD and SVDATA READ are not used in servicing. If set accidentally, press the NO button immediately to exit this mode.

4-5-1. Operating the Continuous Playback Mode

1. Entering the continuous playback mode

- ① Set the disc in the unit. (Whichever recordable discs or discs for playback only are available.)
- ② Rotate the AMS knob and display “CPLAY MODE”.
- ③ Press the YES button to change the display to “CPLAY IN”.
- ④ When access completes, the display changes to “C1 = 0000 AD = 00”.

Note : The numbers “00” displayed show you error rates and ADER.

2. Changing the parts to be played back

- ① Press the YES button during continuous playback to change the display as below.

“CPLAY MID” → “CPLAY OUT” → “CPLAY IN”

When pressed another time, the parts to be played back can be moved.

- ② When access completes, the display changes to “C1 = 0000 AD = 00”.

Note : The numbers “00” displayed show you error rates and ADER.

3. Ending the continuous playback mode

- ① Press the NO button. The display will change to “CPLAY MODE”.
- ② Press the \cong button to remove the disc.

Note : The playback start addresses for IN, MID, and OUT are as follows. In case you want to display the address of the playback position on the display, press the DISPLAY/CHAR button and display “CPLAY (0000)”.

IN 40h cluster
MID 300h cluster
OUT 700h cluster

4-5-2. Operating the Continuous Recording Mode

1. Entering the continuous recording mode

- ① Set a recordable disc in the unit. (Refer to Note 3)
- ② Rotate the AMS knob and display “CREC MODE”.
- ③ Press the YES button to change the display to “CREC MID”.
- ④ When access completes, the display changes to “CREC (0000)” and **REC** lights up.

Note : The numbers “00” displayed shows you the recording position addresses.

2. Changing the parts to be recorded

- ① When the YES button is pressed during continuous recording, the display changes as below.

“CPLAY MID” → “CPLAY OUT” → “CPLAY IN”

When pressed another time, the parts to be recorded can be changed. **REC** goes off.

- ② When access completes, the display changes to “CREC (0000)” and **REC** lights up.

Note : The numbers “00” displayed shows you the recording position addresses.

3. Ending the continuous recording mode

- ① Press the NO button. The display changes to “CREC MODE” and **REC** goes off.
- ② Press the \cong button to remove the disc.

Note 1 : The recording start addresses for IN, MID, and OUT are as follows.

IN 40h cluster
MID 300h cluster
OUT 700h cluster

Note 2 : The NO button can be used to stop recording anytime.

Note 3 : During the test mode, the erasing-protection tab will not be detected. Therefore be careful not to set the continuous recording mode when a disc not to be erased is set in the unit.

Note 4 : Do not perform continuous recording for long periods of time above 5 minutes.

Note 5 : During continuous recording, be careful not to apply vibration.

4-5-3. Non-Volatile Memory Mode

This mode reads and writes the contents of the non-volatile memory.

It is not used in servicing. If set accidentally, press the NO button immediately to exit it.

4-6. FUNCTIONS OF OTHER BUTTONS

| Function | Contents |
|------------------|--|
| ▷ | Sets continuous playback when pressed in the STOP state. When pressed during continuous playback, the tracking servo turns ON/OFF. |
| ■ | Stops continuous playback and continuous recording. |
| ▶▶ | The sled moves to the outer circumference only when this is pressed. |
| ◀◀ | The sled moves to the inner circumference only when this is pressed. |
| ● | Turns recording ON/OFF when pressed during continuous playback. |
| SCROLL | Switches between the pit and groove modes when pressed. |
| PLAY MODE | Switches the spindle servo mode (CLVS and A). |
| DISPLAY/ CHAR | Switches the display when pressed. Returns to previous step. Stops operations. |

Note : The erasing-protection tab is not detected during the test mode. Recording will start regardless of the position of the erasing-protection tab when the ● button is pressed.

4-7. TEST MODE DISPLAYS

Each time the DISPLAY/CHAR button is pressed, the display changes in the following order.

MODE display→Error rate display→Address display→Auto gain display→IVR display

The auto gain display and the IVR display are not used for servicing.

1. MODE display

Displays “TEMP ADJUST”, “CPLAY MODE”, etc.

2. Error rate display

Error rates are displayed as follows.

C1 = 0000 AD = 0000

C1 : Indicates C1 error

AD : Indicates ADER

3. Address display

Addresses are displayed as follows. (MO : Recordable disc, CD : Disc for playback only)

h = 0000 s = 0000 (MO pit and CD)

h = 0000 a = 0000 (MO groove)

h : Header address

s : SUBQ address

a : ADIP address

* “_” is displayed when the address cannot be read.

4. Auto gain display

Auto gains are displayed as follows.

AG F = 00 T = 00

F = Focus auto gain collection value.

T = Tracking auto gain collection value.

4-8. MEANINGS OF OTHER DISPLAYS

| Display | Contents | | |
|----------|---|--------------------|---|
| | Light | Off | Blinking |
| ▷ | During continuous playback | STOP | |
| | Tracking servo OFF | Tracking servo ON | |
| REC | Recording mode ON | Recording mode OFF | |
| CLOCK | CLV LOCK | CLV UNLOCK | |
| TRACK | Pit | Groove | |
| DISC | High reflection | Low reflection | |
| DATE | CLV-S | CLV-A | |
| A. SPACE | ABCD adjustment completed | | |
| A - B | (Focus auto gain successful Tracking auto gain successful) | | (Focus auto gain successful Tracking auto gain failed) |

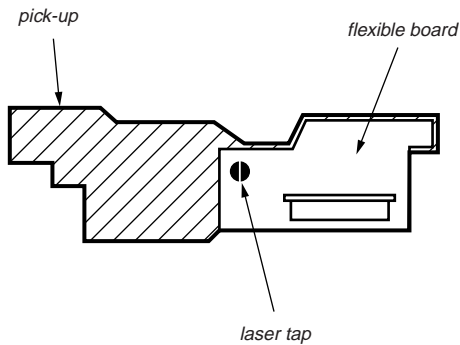
SECTION 5 ELECTRICAL ADJUSTMENTS

5-1. PRECAUTIONS FOR CHECKING LASER DIODE EMISSION

To check the emission of the laser diode during adjustments, never view directly from the top as this may lose your eye-sight.

5-2. PRECAUTIONS FOR USE OF OPTICAL PICK-UP (KMS-260A)

As the laser diode in the optical pick-up is easily damaged by static electricity, solder the laser tap of the flexible board when using it. Before disconnecting the connector, desolder first. Before connecting the connector, be careful not to remove the solder. Also take adequate measures to prevent damage by static electricity. Handle the flexible board with care as it breaks easily.



Optical pick-up flexible board

5-3. PRECAUTIONS FOR ADJUSTMENTS

1) When replacing the following parts, perform the adjustments and checks with **O** in the order shown in the following table.

| | Optical Pick-up | BD Board | | |
|---|-----------------|----------|------|---------------------|
| | | IC171 | D101 | IC101, IC121, IC192 |
| 1. Temperature compensation offset adjustment | X | O | O | O |
| 2. Laser power adjustment | O | O | X | O |
| 3. Traverse adjustment | O | O | X | O |
| 4. Focus bias adjustment | O | O | X | O |
| 5. Error rate check | O | O | X | O |

- 2) Set the test mode when performing adjustments. After completing the adjustments, exit the test mode.
- 3) Perform the adjustments in the order shown.
- 4) Use the following tools and measuring devices.
 - Check Disc (MD) TDYS-1 (Parts No. 4-963-646-01)
 - Laser power meter LPM-8001 (Parts No. J-2501-046-A)
 - Oscilloscope (Measure after performing CAL of prove.)
 - Digital voltmeter
 - Thermometer
 - Jig for checking BD board waveform (Parts No. : J-2501-124-A)
- 5) When observing several signals on the oscilloscope, etc., make sure that VC and ground do not connect inside the oscilloscope. (VC and ground will become short-circuited.)
- 6) Using the above jig enables the waveform to be checked without the need to solder. (Refer to Servicing Note on page 5.)

5-4. CREATING CONTINUOUSLY RECORDED DISC

* This disc is used in focus bias adjustment and error rate check. The following describes how to create a continuous recording disc.

1. Insert a disc (blank disc) commercially available.
2. Rotate the AMS knob and display "CREC MODE".
3. Press the YES button again to display "CREC MID". Display "CREC (0300)" and start to recording.
4. Complete recording within 5 minutes.
5. Press the NO button and stop recording .
6. Press the \triangle button and remove the disc.

The above has been how to create a continuous recorded data for the focus bias adjustment and error rate check.

Note :

- Be careful not to apply vibration during continuous recording.

5-5. TEMPERATURE COMPENSATION OFFSET ADJUSTMENT

Save the temperature data at that time in the non-volatile memory as 25 °C reference data.

Note :

1. Usually, do not perform this adjustment.
2. Perform this adjustment in an ambient temperature of 22 °C to 28 °C. Perform it immediately after the power is turned on when the internal temperature of the unit is the same as the ambient temperature of 22 °C to 28 °C.
3. When D101 has been replaced, perform this adjustment after the temperature of this part has become the ambient temperature.

Adjusting Method :

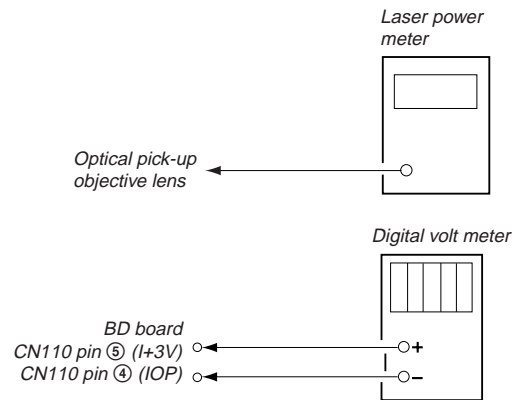
1. Rotate the AMS knob and display "TEMP ADJUST".
2. Press the YES button and select the "TEMP ADJUST" mode.
3. "TEMP = $\square\square\square$ " and the current temperature data will be displayed.
4. To save the data, press the YES button.
When not saving the data, press the NO button.
5. When the YES button is pressed, "TEMP = $\square\square\square$ SAVE" will be displayed and turned back to "TEMP ADJUST" display then.
When the NO button is pressed, "TEMP ADJUST" will be displayed immediately.

Specified Value :

The "TEMP = $\square\square\square$ " should be within "E0 - EF", "F0 - FF", "00 - 0F", "10 - 1F" and "20 - 2F".

5-6. LASER PPOWER ADJUSTMENT

Connection :



Adjusting Method :

1. Set the laser power meter on the objective lens of the optical pick-up. (When it cannot be set properly, press the ◀ button or ▶ button to move the optical pick-up.)
Connect the digital volt meter to CN110 pin ⑤ (I+3V) and CN110 pin ④ (IOP).
2. Rotate the AMS knob and display "LDPWR ADJUST".
(Laser power : For adjustment)
3. Press the YES button once and display "LD 0.9 mW \$ $\square\square\square$ ".
4. Rotate the AMS knob so that the reading of the laser power meter becomes 0.86 to 0.92 mW. Press the YES button after setting the range knob of the laser power meter, and save the adjustment results. ("LD SAVE \$ $\square\square\square$ " will be displayed for a moment.)
5. Then "LD 7.0 mW \$ $\square\square\square$ " will be displayed.
6. Rotate the AMS knob so that the reading of the laser power meter becomes 6.9 to 7.1 mW, press the YES button and save it.

Note : Do not perform the emission with 7.0 mW more than 15 seconds continuously.

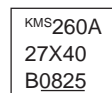
7. Then, rotate the AMS knob and display "LDPWR CHECK".
8. Press the YES button once and display "LD 0.9 mW \$ $\square\square\square$ ". Check that the reading of the laser power meter become 0.85 to 0.91 mW.
9. Press the YES button once more and display "LD 7.0 mW \$ $\square\square\square$ ". Check that the reading the laser power meter and digital volt meter satisfy the specified value.

Specified Value :

Laser power meter reading : 7.0 ± 0.1 mW

Digital voltmeter reading : Optical pick-up displayed value $\pm 10\%$

(Optical pick-up label)

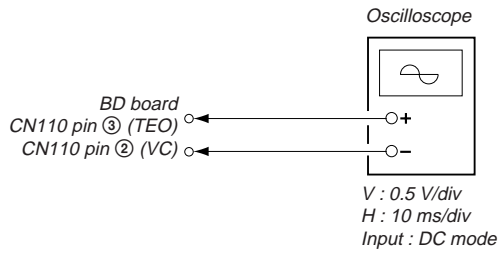


$I_{op} = 82.5$ mA in this case
 $I_{op} (mA) = \text{Digital voltmeter reading} (mV) / 1 (\Omega)$

10. Press the NO button and display "LDPWR CHECK" and stop the laser emission.
(The NO button is effective at all times to stop the laser emission.)

5-7. TRAVERSE ADJUSTMENT

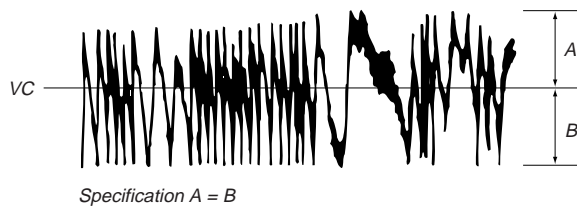
Connection :



Adjusting method :

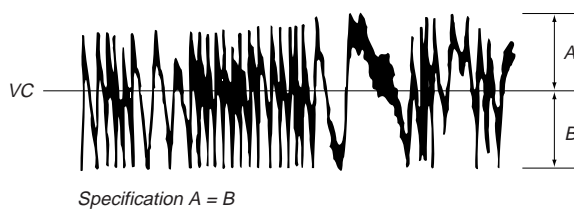
1. Connect an oscilloscope to CN110 pin ③ (TEO) and CN110 pin ② (VC) of the BD board.
2. Load a disc (any available on the market). (Refer to Note 1.)
3. Press the ◀ button or ▶ button and move the optical pick-up outside the pit.
4. Rotate the AMS knob and display "EFBAL ADJUST".
5. Press the YES button and display "EFB = MO-R".
(Laser power READ power/Focus servo ON/tracking servo OFF/spindle (S) servo ON)
6. Rotate the AMS knob so that the waveform of the oscilloscope becomes the specified value.
(When the AMS knob is rotated, the "EFB = MO-R" changes and the waveform changes.) In this adjustment, waveform varies at intervals of approx. 2%. Adjust the waveform so that the specified value is satisfied as much as possible.
(Read power traverse adjustment)

(Traverse Waveform)



7. Press the YES button and save the result of adjustment to the non-volatile memory ("EFB = MO-W" will be displayed for a moment. Then "EFB = MO-W" will be displayed).
8. Rotate the AMS knob so that the waveform of the oscilloscope becomes the specified value.
(When the AMS knob is rotated, the "EFB = MO-W" changes and the waveform changes.) In this adjustment, waveform varies at intervals of approx. 2%. Adjust the waveform so that the specified value is satisfied as much as possible.
(Write power traverse adjustment)

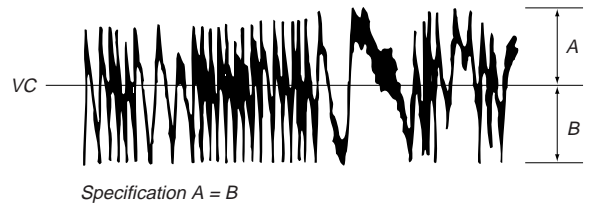
(Traverse Waveform)



9. Press the YES button, and save the adjustment results in the non-volatile memory. ("EFB = MO-P" will be displayed for a moment.)
10. "EFB = MO-P" will be displayed.
The optical pick-up moves to the pit area automatically and servo is imposed.

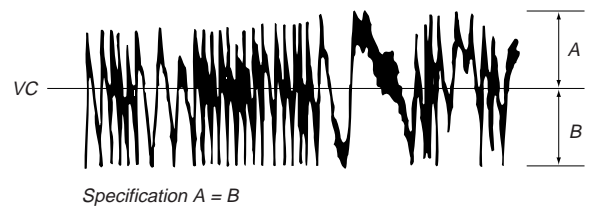
11. Rotate the AMS knob until the waveform of the oscilloscope moves closer to the specified value.
In this adjustment, waveform varies at intervals of approx. 2%. Adjust the waveform so that the specified value is satisfied as much as possible.

(Traverse Waveform)



12. Press the YES button, and save the adjustment results in the non-volatile memory. ("EFB = MO-R" will be displayed for a moment.)
Next "EFBAL CD" is displayed. The disc stops rotating automatically.
13. Press the ⏏ button and remove the disc.
14. Load the check disc (MD) TDYS-1.
15. Press the YES button and display "EFB = MO-CD". Servo is imposed automatically.
16. Rotate the AMS knob so that the waveform of the oscilloscope moves closer to the specified value.
In this adjustment, waveform varies at intervals of approx. 2%. Adjust the waveform so that the specified value is satisfied as much as possible.

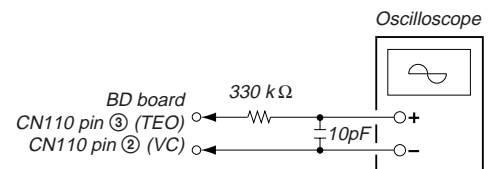
(Traverse Waveform)



17. Press the YES button, display "EFB = MO-CD" for a moment and save the adjustment results in the non-volatile memory.
Next "EFBAL ADJUST" will be displayed.
18. Press the ⏏ button and remove the check disc (MD) TDYS-1.

Note 1 : MO reading data will be erased during if a recorded disc is used in this adjustment.

Note 2 : If the traverse waveform is not clear, connect the oscilloscope as shown in the following figure so that it can be seen more clearly.



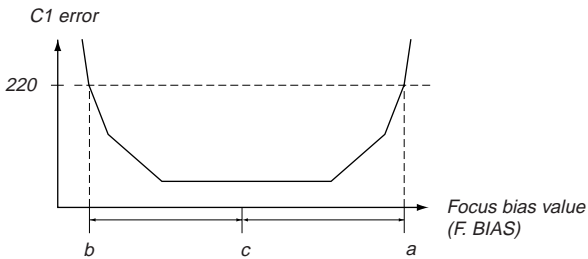
5-8. FOCUS BIAS ADJUSTMENT

Adjusting Method :

1. Load a continuously recorded disc (Refer to “5-4. Creating Continuously Recorded Disc”).
2. Rotate the AMS knob and display “CPLAY MODE”.
3. Press the YES button and display “CPLAY MID”.
4. Press the NO button when “C1 = [] [] [] [] AD = [] []” is displayed.
5. Rotate the AMS knob and display “FBIAS ADJUST”.
6. Press the YES button and display “ [] [] [] [] / [] [] a = [] []”.
The first four digits indicate the C1 error rate, the two digits after [/] indicate ADER, and the 2 digits after [a =] indicate the focus bias value.
7. Rotate the AMS knob in the clockwise direction and find the focus bias value at which the C1 error rate becomes 220 (Refer to Note 2).
8. Press the YES button and display “ [] [] [] [] / [] [] b = [] []”.
9. Rotate the AMS knob in the counterclockwise direction and find the focus bias value at which the C1 error rate becomes 220.
10. Press the YES button and display “ [] [] [] [] / [] [] c = [] []”.
11. Check that the C1 error rate is below 50 and ADER is 00. Then press the YES button.
12. If the “([] [])” in “ [] [] - [] [] - [] [] ([] [])” is above 20, press the YES button.
If below 20, press the NO button and repeat the adjustment from step 2.
13. Press the \triangleleft button to remove the continuously recorded disc.

Note 1 : The relation between the C1 error and focus bias is as shown in the following figure. Find points a and b in the following figure using the above adjustment. The focal point position C is automatically calculated from points a and b.

Note 2 : As the C1 error rate changes, perform the adjustment using the average value.



5-9. ERROR RATE CHECK

5-9-1. CD Error Rate Check

Checking Method :

1. Load a check disc (MD) TDYS-1.
2. Rotate the AMS knob and display “CPLAY MODE”.
3. Press the YES button twice and display “CPLAY MID”.
4. The display changes to “C1 = [] [] [] [] AD = [] []”.
5. Check that the C1 error rate is below 20.
6. Press the NO button, stop playback, press the \triangleleft button, and remove the test disc.

5-9-2. MO Error Rate Check

Checking Method :

1. Load a continuously recorded disc (Refer to “5-4. Creating Continuously Recorded Disc”).
2. Rotate the AMS knob and display “CPLAY MODE”.
3. Press the YES button and display “CPLAY MID”.
4. The display changes to “C1 = [] [] [] [] AD = [] []”.
5. If the C1 error rate is below 50, check that ADER is 00.
6. Press the NO button, stop playback, press the \triangleleft button, and remove the continuously recorded disc.

5-10. FOCUS BIAS CHECK

Change the focus bias and check the focus tolerance amount.

Checking Method :

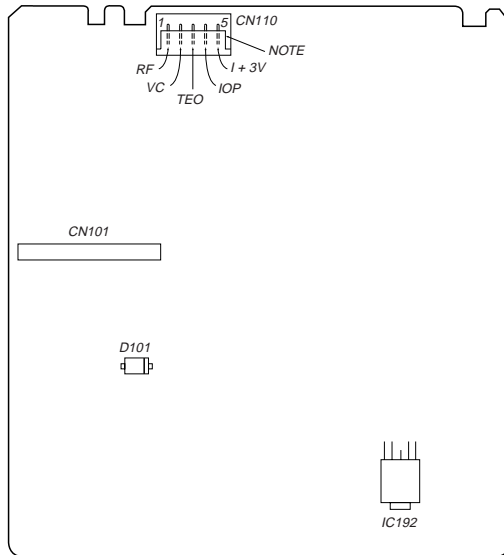
1. Load a continuously recorded disc (Refer to “5-4. Creating Continuously Recorded Disc”).
2. Rotate the AMS knob and display “CPLAY MODE”.
3. Press the YES button twice and display “CPLAY MID”.
4. Press the NO button when “C1 = [] [] [] [] AD = [] []” is displayed.
5. Rotate the AMS knob and display “FBIAS CHECK”.
6. Press the YES button and display “ [] [] [] [] / [] [] c = [] []”.
The first four digits indicate the C1 error rate, the two digits after [/] indicate ADER, and the 2 digits after [c =] indicate the focus bias value.
Check that the C1 error is below 50 and ADER is 00.
7. Press the YES button and display “ [] [] [] [] / [] [] b = [] []”.
Check that the C1 error is not below 220 and ADER is not above 00 every time.
8. Press the YES button and display “ [] [] [] [] / [] [] a = [] []”.
Check that the C1 error is not below 220 and ADER is not above 00 every time.
9. Press the NO button, next press the \triangleleft button, and remove the continuously recorded disc.

Note 1 : If the C1 error and ADER are above 00 at points a (step 8. in the above) or b (step 7. in the above), the focus bias adjustment may not have been carried out properly. Adjust perform the beginning again.

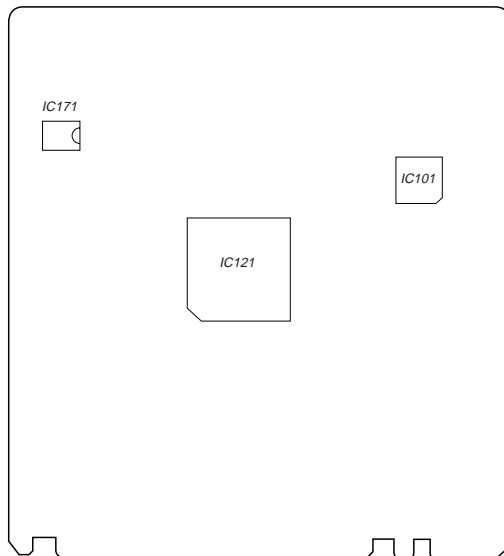
SECTION 6 DIAGRAMS

5-11. ADJUSTING POINTS AND CONNETING POINTS

[BD BOARD] (SIDE A)

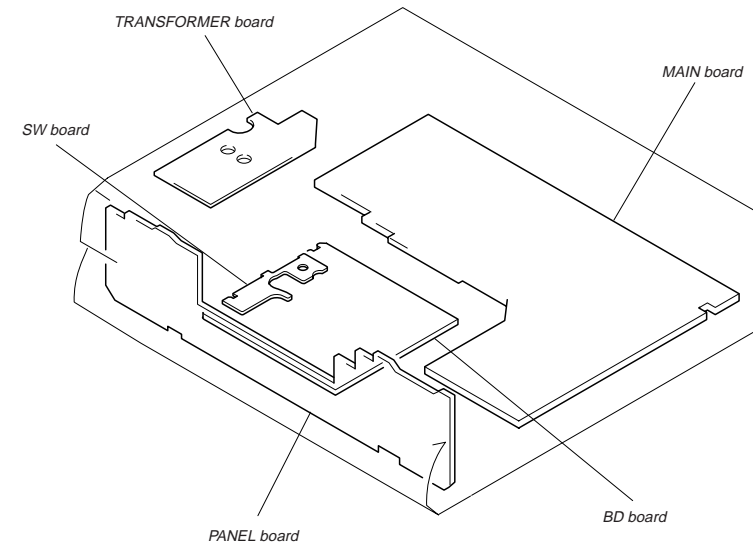


[BD BOARD] (SIDE B)



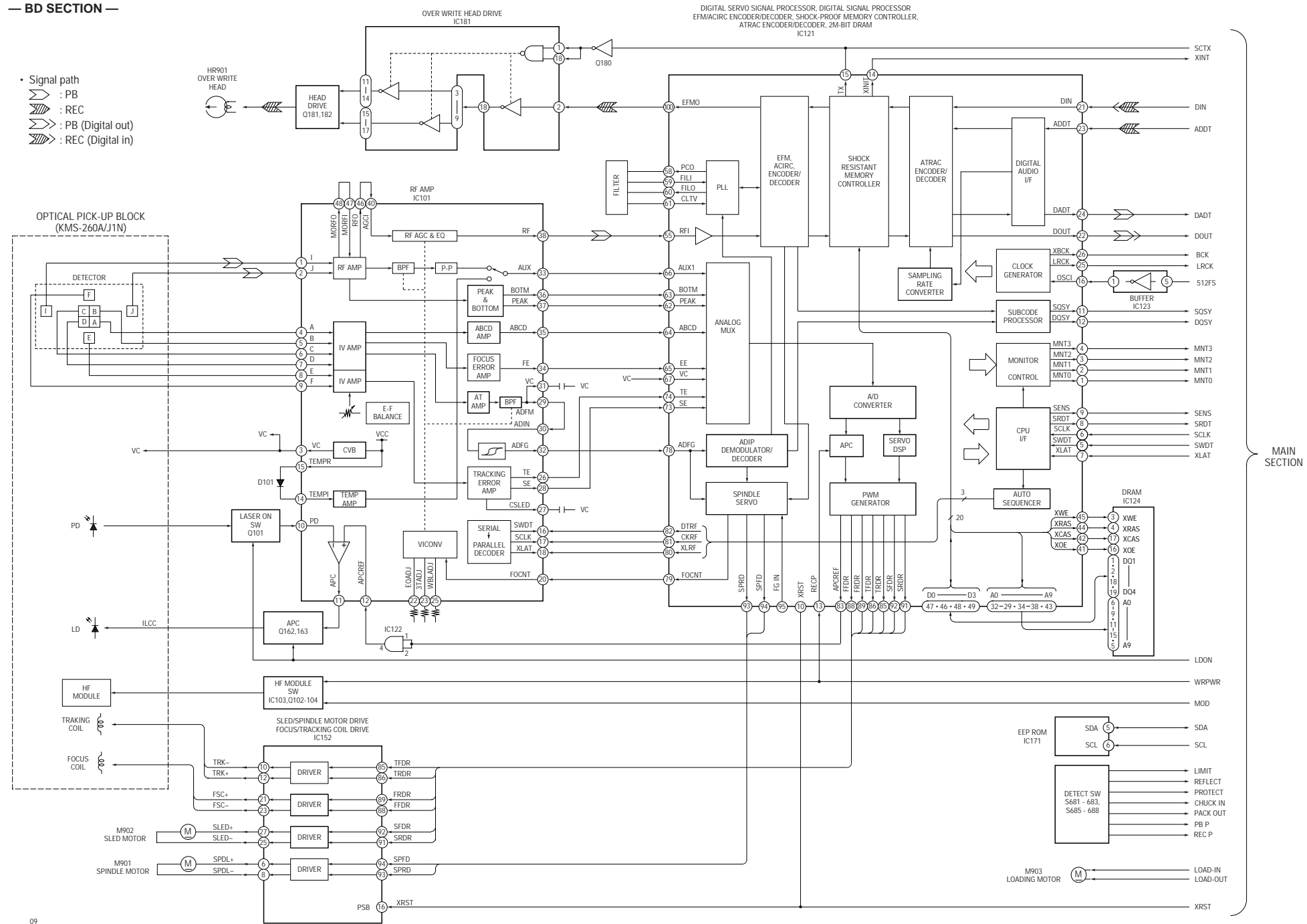
NOTE : It is useful to use the jig. for checking the waveform.
(Refer to Servicing Note on page 5.)

6-1. CIRCUIT BOARDS LOCATION



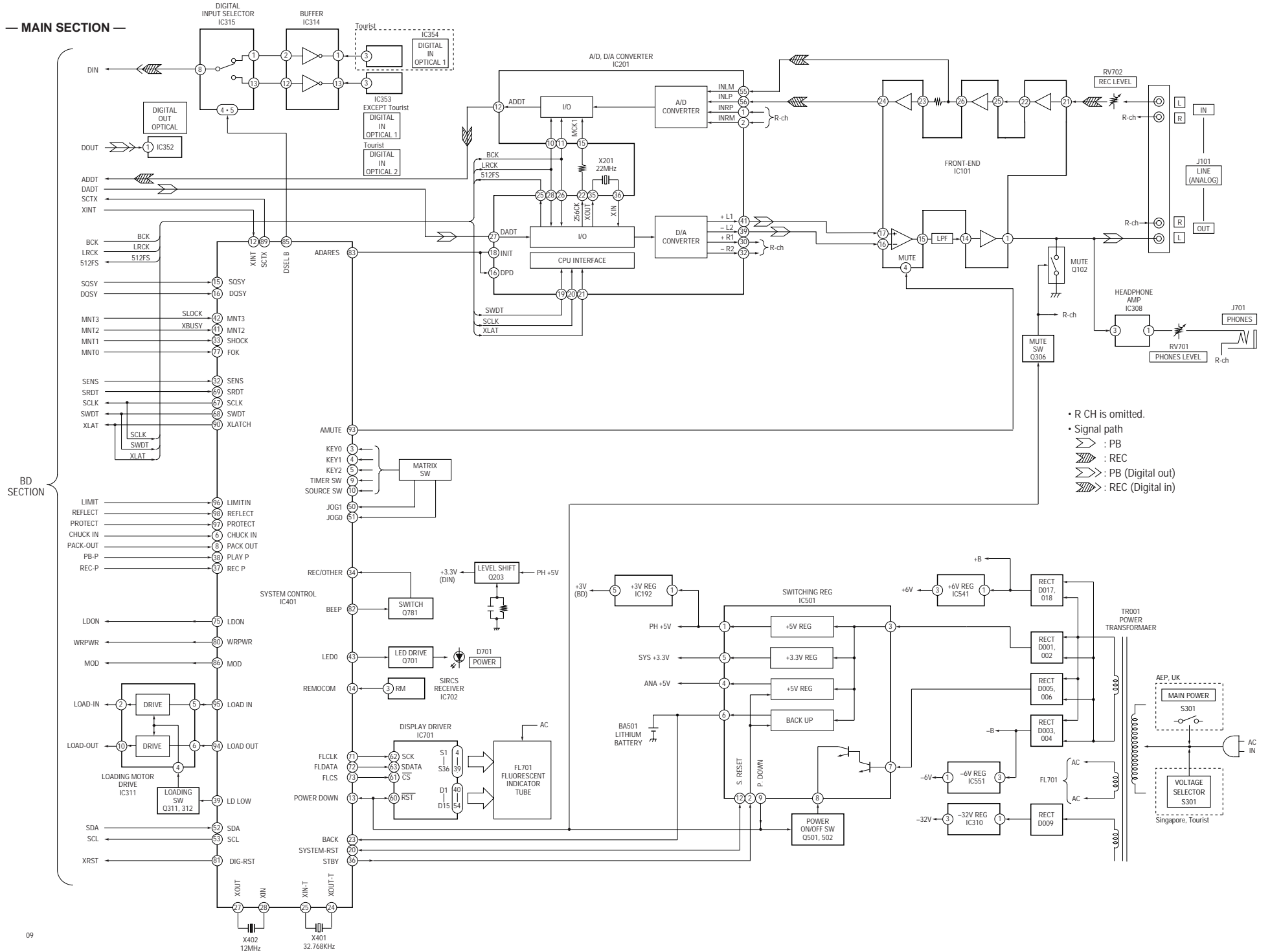
6-2. BLOCK DIAGRAMS
— BD SECTION —

- Signal path
- ▬ : PB
- ▬▬ : REC
- ▬▬▬ : PB (Digital out)
- ▬▬▬▬ : REC (Digital in)



MAIN SECTION

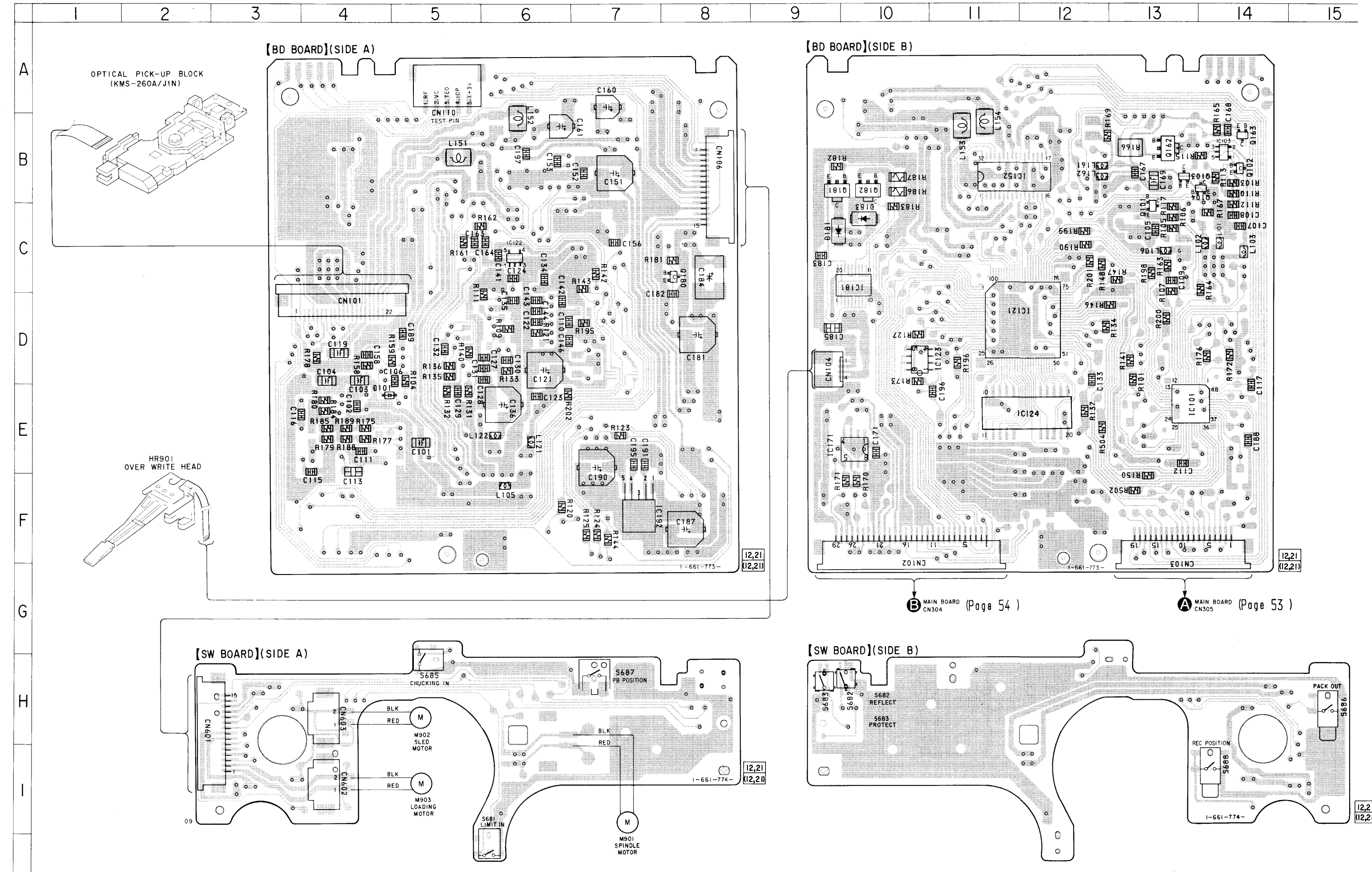
— MAIN SECTION —



6-3. PRINTED WIRING BOARD — BD SECTION —
 • See page 36 for Circuit Boards Location.

• Semiconductor Location

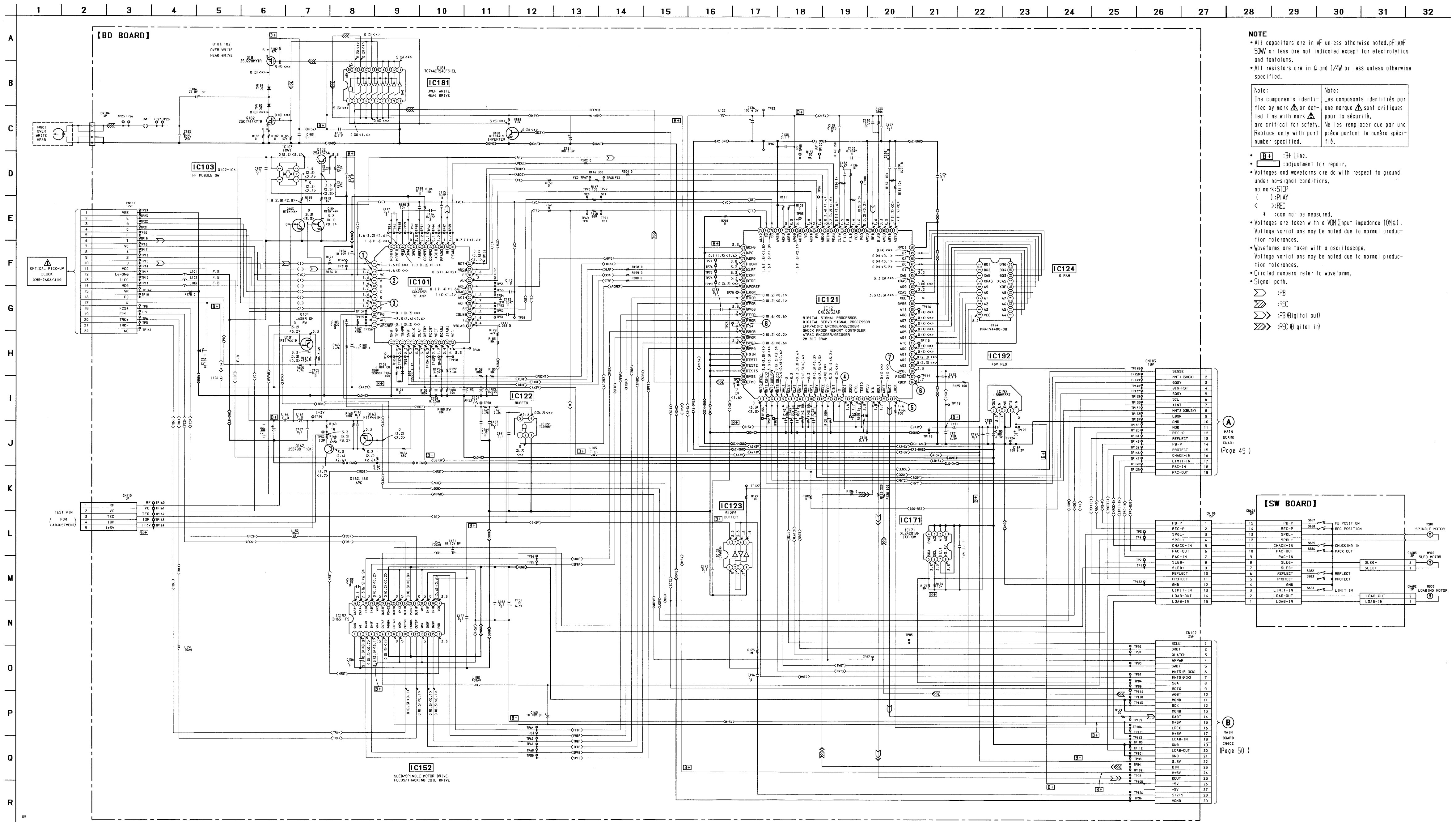
| Ref. No. | Location |
|----------|----------|
| D101 | E-4 |
| D181 | C-9 |
| D183 | C-10 |
| IC101 | E-13 |
| IC103 | B-14 |
| IC121 | D-11 |
| IC122 | C-6 |
| IC123 | D-11 |
| IC124 | E-12 |
| IC152 | B-11 |
| IC171 | E-9 |
| IC181 | C-10 |
| IC192 | F-7 |
| Q101 | C-13 |
| Q102 | B-14 |
| Q103 | B-14 |
| Q104 | B-14 |
| Q162 | B-13 |
| Q163 | B-14 |
| Q180 | C-8 |
| Q181 | B-9 |
| Q182 | B-10 |



Note:
 • — : parts extracted from the component side.
 • ○ : Through hole.
 • ■ : Pattern from the side which enable seeing.
 (The other layer's patterns are not indicated.)

6-4. SCHEMATIC DIAGRAM — BD SECTION —

- See page 60 for IC Block Diagrams.
- See page 65 for IC Pin Functions.



NOTE

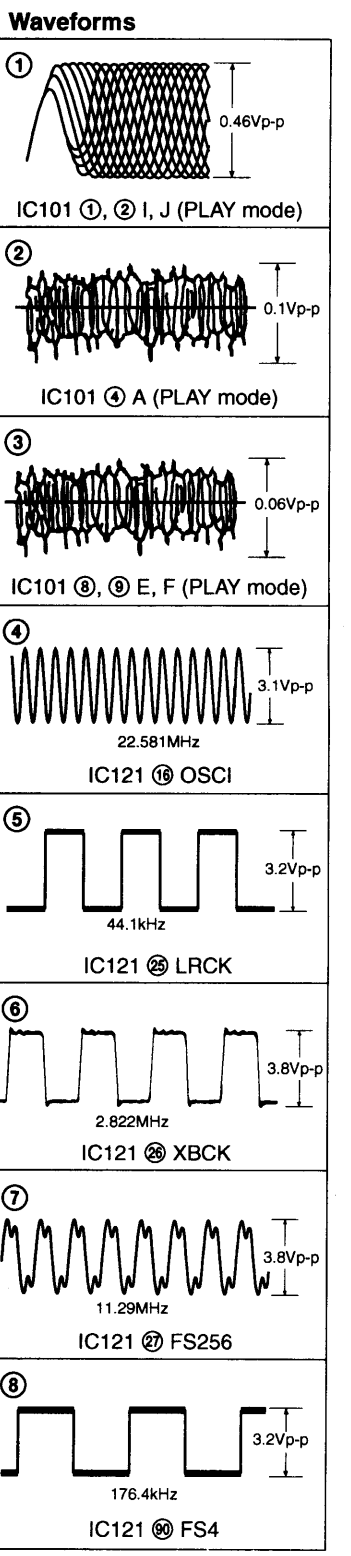
• All capacitors are in μF unless otherwise noted. μF 50W or less are not indicated except for electrolytics and tantalums.

• All resistors are in Ω and $1/4W$ or less unless otherwise specified.

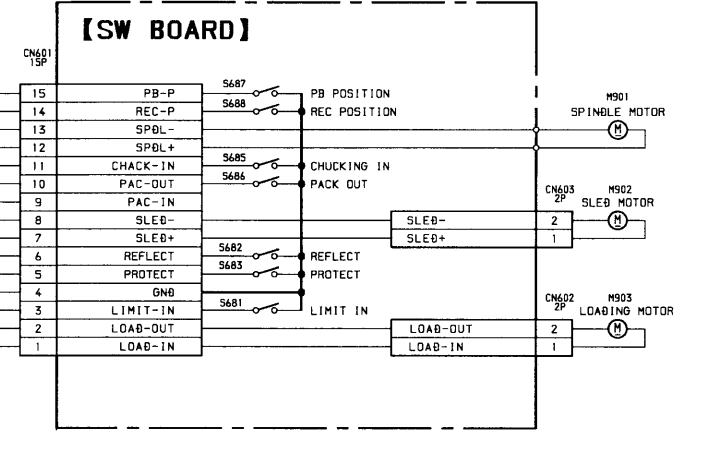
Note: The components identified by mark Δ or dotted line with mark Δ are critical for safety. Replace only with part number specified.

Note: Les composants identifiés par une marque Δ sont critiques pour la sécurité. Ne les remplacer que par une pièce portant le numéro spécifié.

- \square : B Line.
- \square : adjustment for repair.
- Voltages and waveforms are dc with respect to ground under no-signal conditions.
- no mark: STOP
- () : PLAY
- < > : REC
- * : can not be measured.
- Voltages are taken with a VOM (input impedance $10M\Omega$). Voltage variations may be noted due to normal production tolerances.
- Waveforms are taken with an oscilloscope. Voltage variations may be noted due to normal production tolerances.
- Circled numbers refer to waveforms.
- Signal path.
- \Rightarrow : PB
- \Rightarrow : REC
- \Rightarrow : PB (digital out)
- \Rightarrow : REC (digital in)



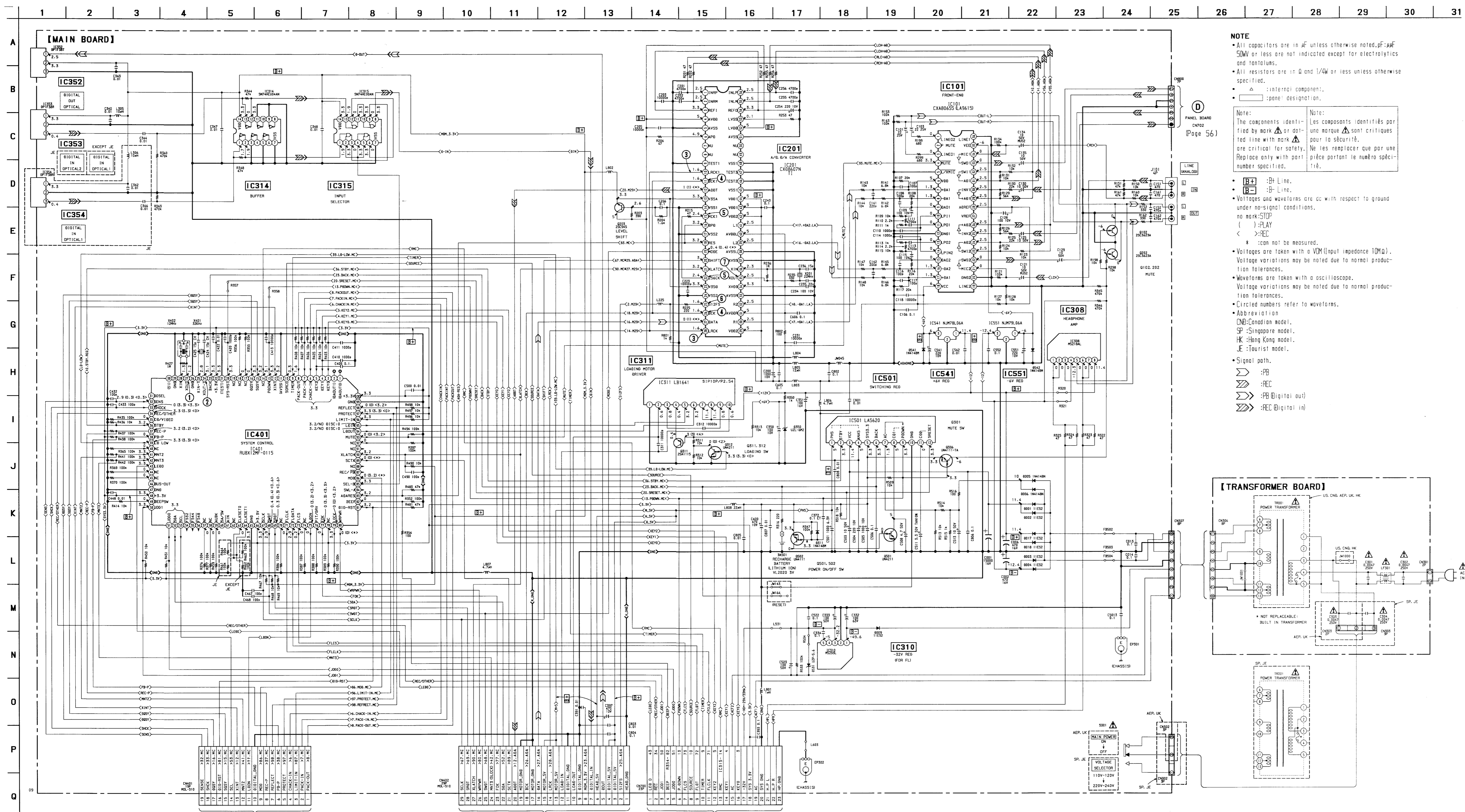
MAIN BOARD CN401 (Page 49)



MAIN BOARD CN402 (Page 50)

6-5. SCHEMATIC DIAGRAM — MAIN SECTION —

- See page 63 for IC Block Diagrams.
- See page 69 for IC Pin Functions.



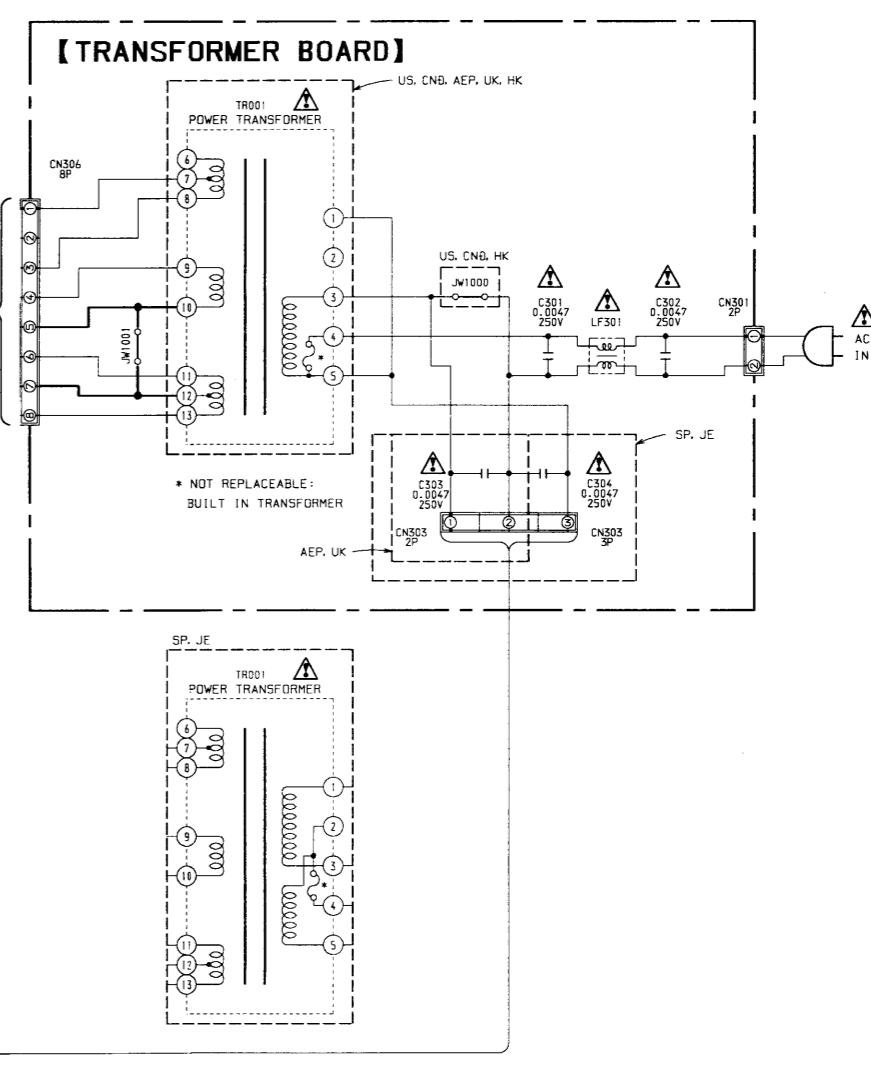
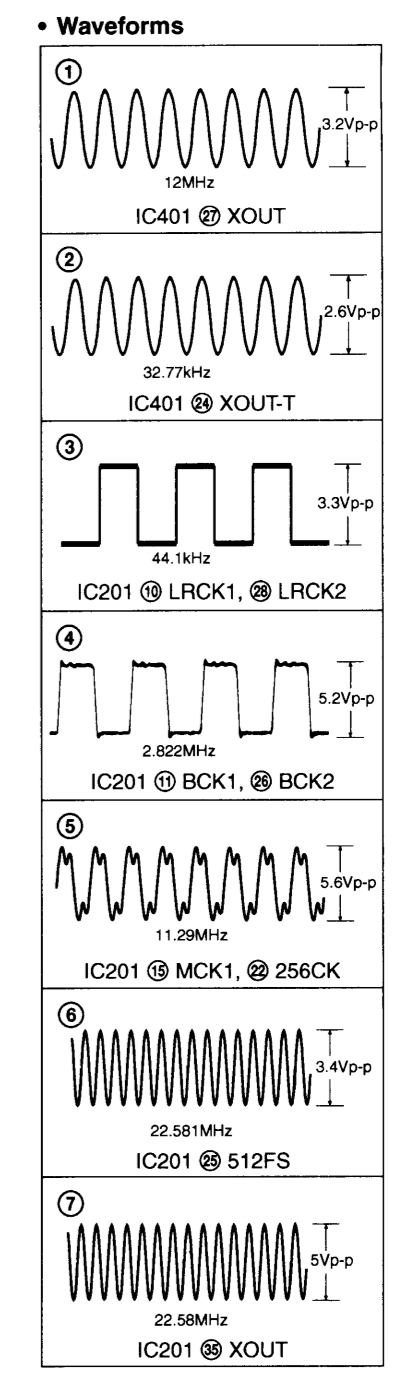
NOTE

- All capacitors are in μF unless otherwise noted. μF 50W or less are not indicated except for electrolytics and tantalums.
- All resistors are in Ω and $1/4\text{W}$ or less unless otherwise specified.
- Δ : internal component.
- \square : panel designation.

Note: The components identified by mark Δ or dotted line with mark Δ are critical for safety. Replace only with part number specified.

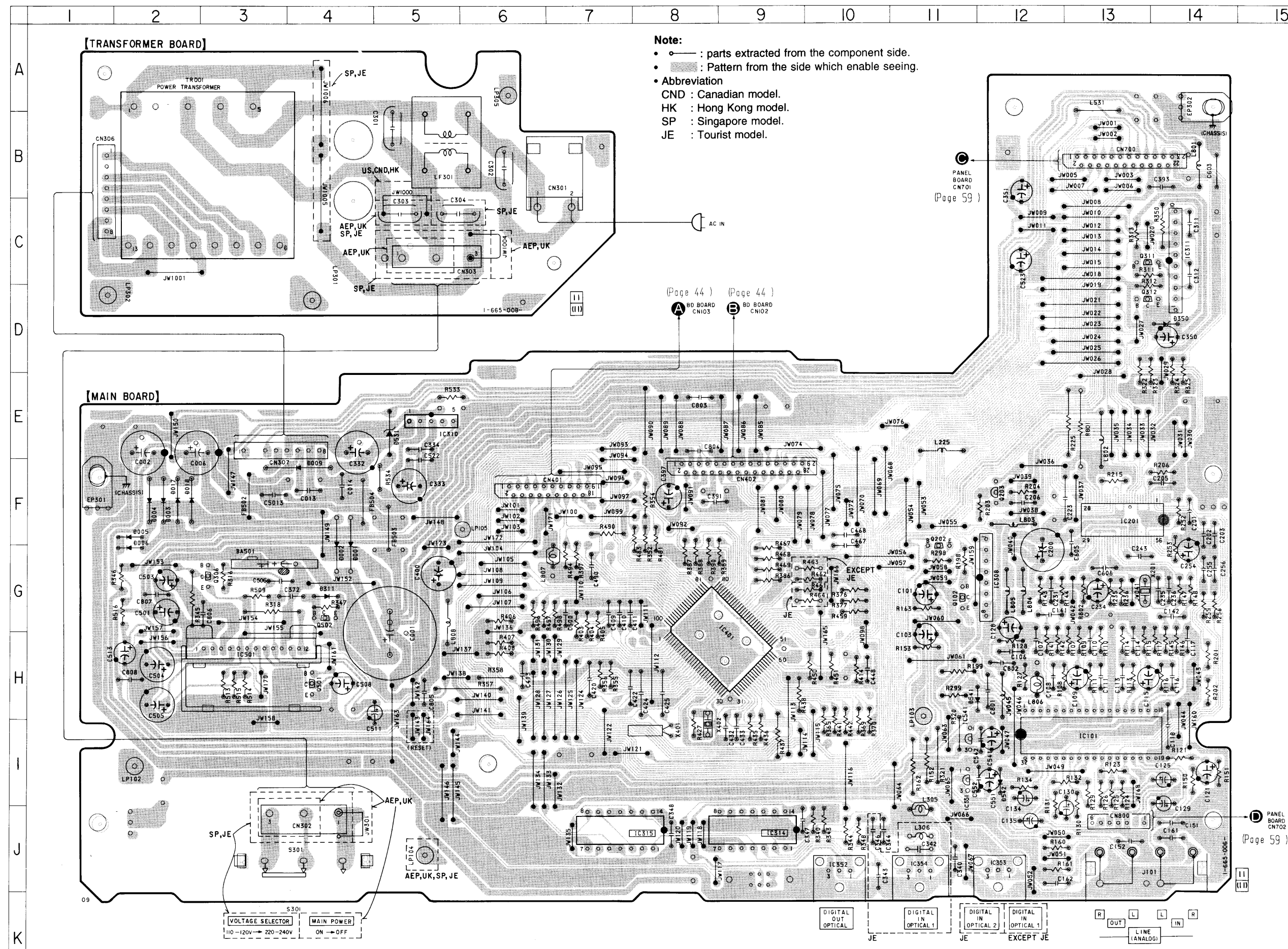
Note: Les composants identifiés par une marque Δ sont critiques pour la sécurité. Ne les remplacer que par une pièce portant le numéro spécifié.

- $\text{B}+$: B+ Line.
- $\text{B}-$: B- Line.
- Voltages and waveforms are ac with respect to ground under no-signal conditions.
- no mark: STOP
- \leftarrow : PLAY
- \leftarrow : REC
- \leftarrow : can not be measured.
- Voltages are taken with a VOM (input impedance $10\text{M}\Omega$). Voltage variations may be noted due to normal production tolerances.
- Waveforms are taken with an oscilloscope. Voltage variations may be noted due to normal production tolerances.
- Circled numbers refer to waveforms.
- Abbreviation: CN: Canadian model, SP: Singapore model, HK: Hong Kong model, JE: tourist model.
- Signal path:
 - --- : PB
 - --- : REC
 - --- : PB @ digital out
 - --- : REC @ digital in



6-6. PRINTED WIRING BOARD — MAIN SECTION —

• See page 36 for Circuit Boards Location.

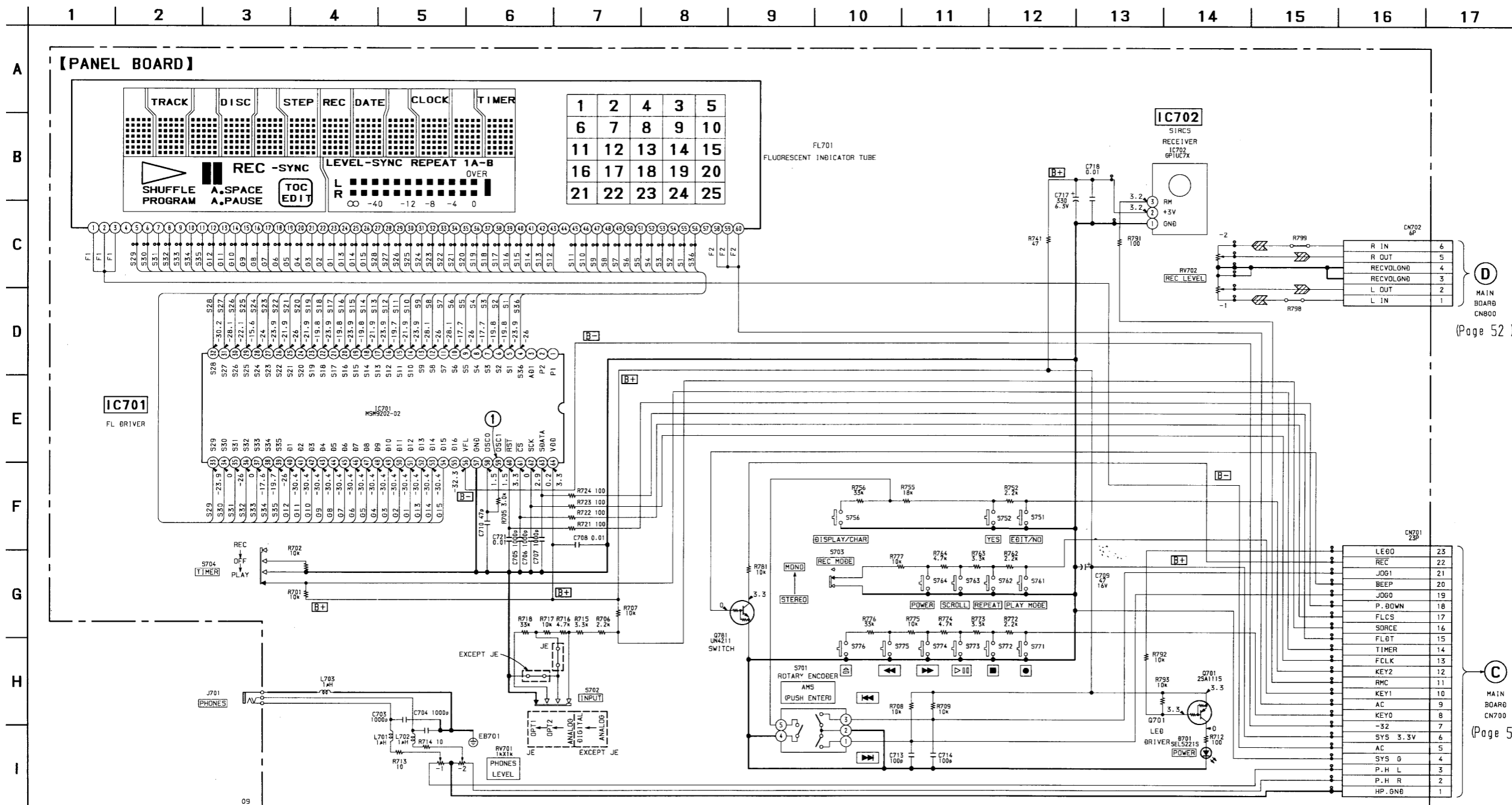


Note:
 • —○— : parts extracted from the component side.
 • —■— : Pattern from the side which enable seeing.
Abbreviation
 CND : Canadian model.
 HK : Hong Kong model.
 SP : Singapore model.
 JE : Tourist model.

• Semiconductor Location

| Ref. No. | Location |
|----------|----------|
| D001 | F-4 |
| D002 | F-4 |
| D003 | F-1 |
| D004 | F-1 |
| D005 | F-1 |
| D006 | F-1 |
| D009 | F-4 |
| D017 | F-1 |
| D018 | F-1 |
| D311 | G-4 |
| D350 | D-14 |
| D531 | E-5 |
| D541 | H-11 |
| D542 | I-12 |
| | |
| IC101 | I-13 |
| IC201 | F-13 |
| IC308 | G-12 |
| IC310 | E-5 |
| IC311 | C-14 |
| IC314 | J-9 |
| IC315 | J-7 |
| IC352 | J-10 |
| IC353 | J-12 |
| IC354 | J-11 |
| IC401 | G-8 |
| IC501 | H-3 |
| IC541 | H-11 |
| IC551 | I-11 |
| | |
| Q102 | G-11 |
| Q202 | F-11 |
| Q203 | F-12 |
| Q306 | G-3 |
| Q311 | C-13 |
| Q312 | D-13 |
| Q501 | H-4 |
| Q502 | G-4 |

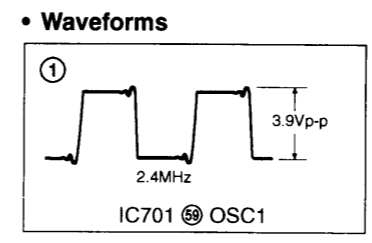
6-7. SCHEMATIC DIAGRAM — PANEL SECTION —



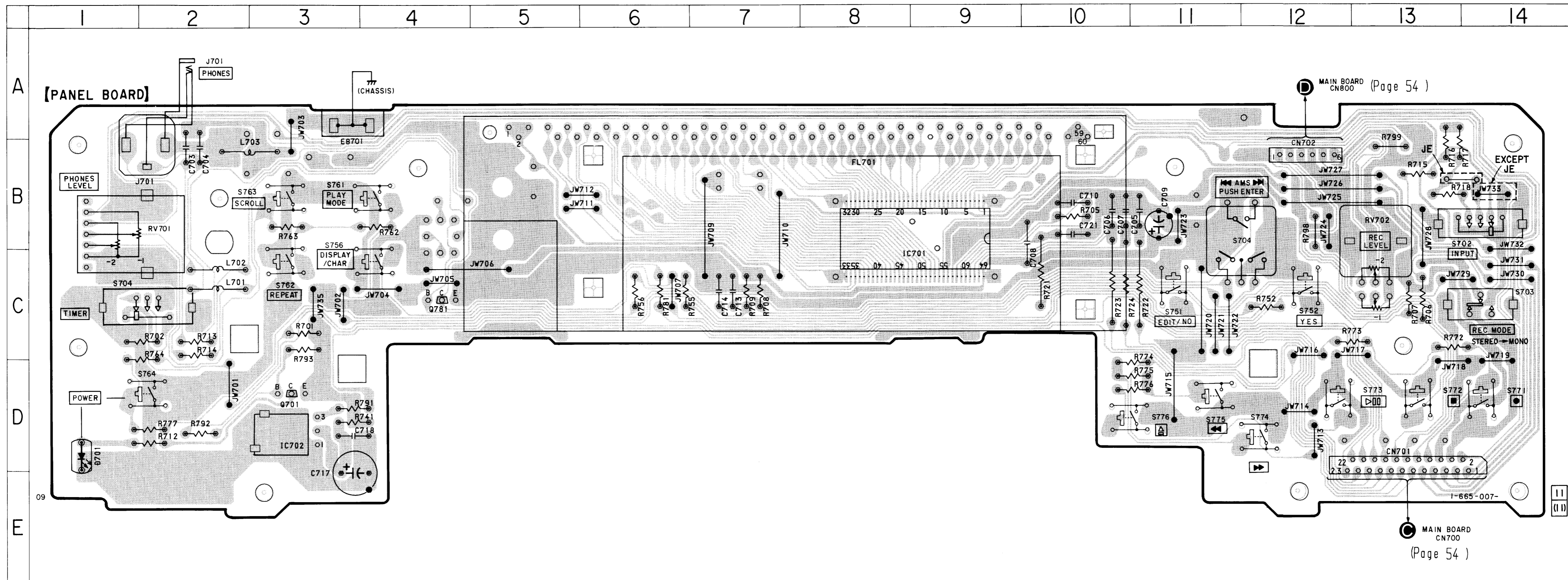
(Page 52)

(Page 51)

- NOTE**
- All capacitors are in μF unless otherwise noted. pF: μF 50W or less are not indicated except for electrolytics and tantalums.
 - All resistors are in Ω and 1/4W or less unless otherwise specified.
 - : panel designation.
 - B+: B+ Line.
 - B-: B- Line.
 - Voltages and waveforms are dc with respect to ground under no-signal conditions.
 - no mark: STOP
 - Voltages are taken with a VOM (Input impedance 10M Ω). Voltage variations may be noted due to normal production tolerances.
 - Waveforms are taken with an oscilloscope. Voltage variations may be noted due to normal production tolerances.
 - Circled numbers refer to waveforms.
 - Abbreviation JE: Tourist model.
 - Signal path.
 - : REC



6-8. PRINTED WIRING BOARD — PANEL SECTION —
 • See page 36 for Circuit Boards Location.



• Semiconductor Location

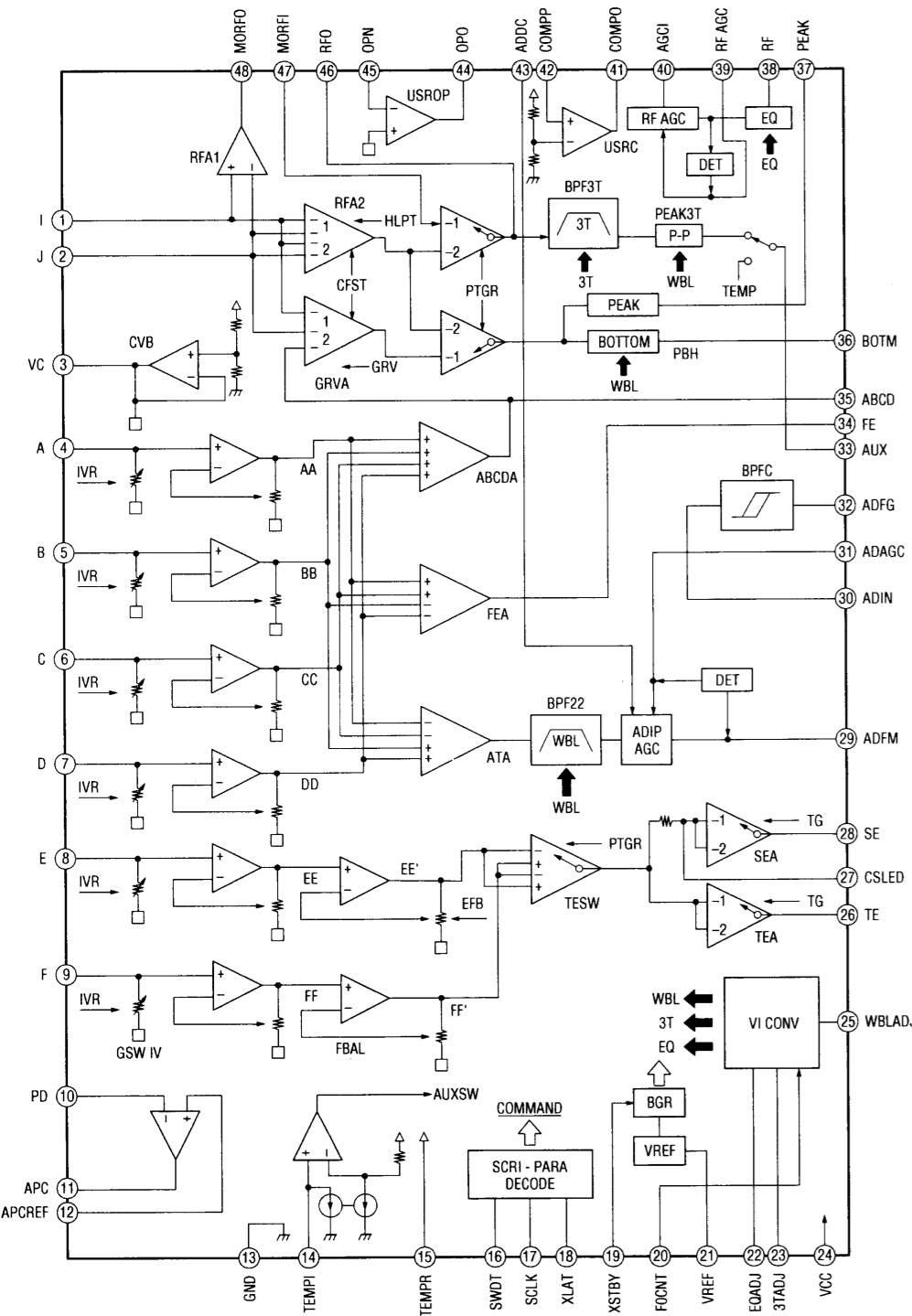
| Ref. No. | Location |
|----------|----------|
| D701 | D-1 |
| IC701 | C-8 |
| IC702 | D-3 |
| Q701 | D-3 |
| Q781 | C-4 |

Note:

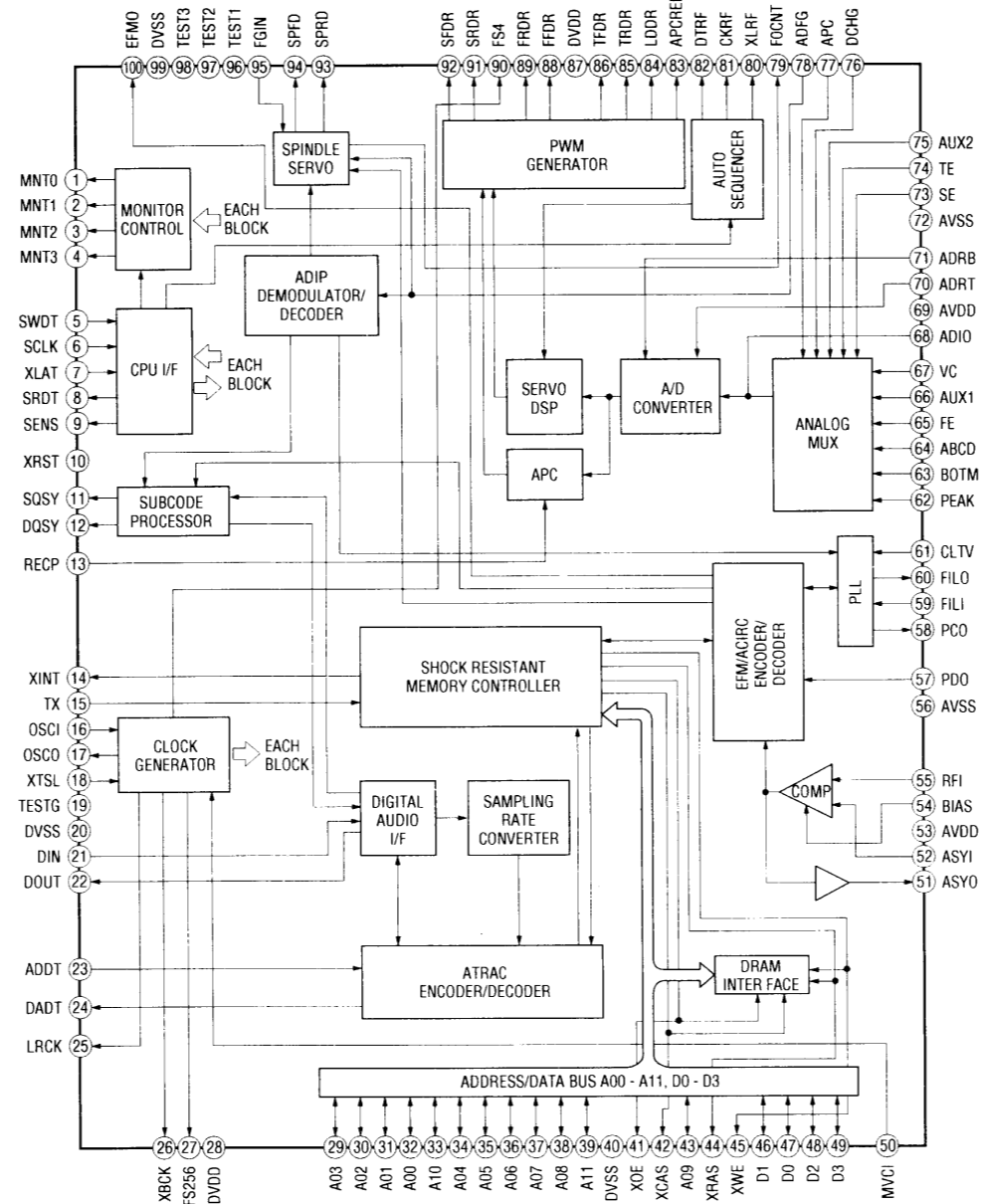
- ○ : parts extracted from the component side.
- ■ : Pattern from the side which enable seeing.

6-9. IC BLOCK DIAGRAMS

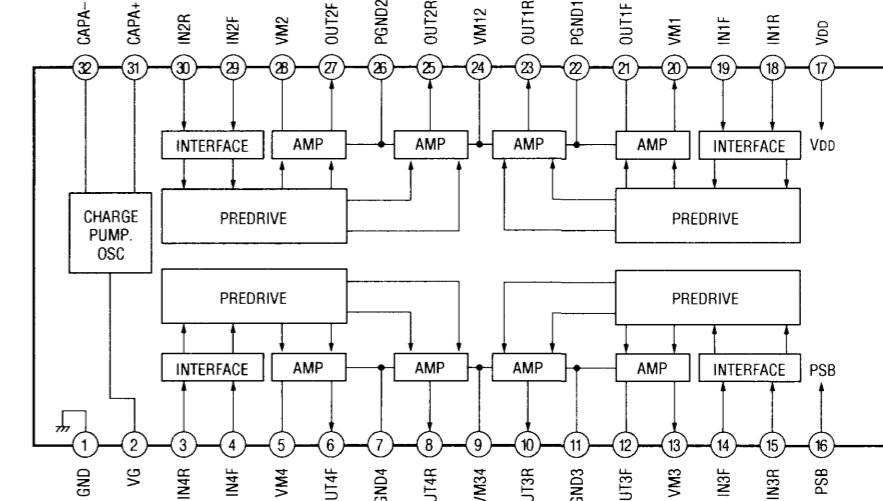
IC101 CXA2523R



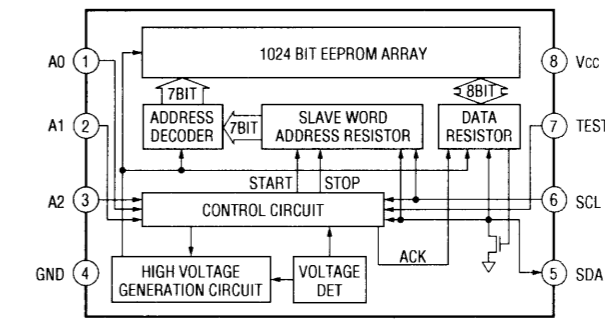
IC121 CXD2652AR



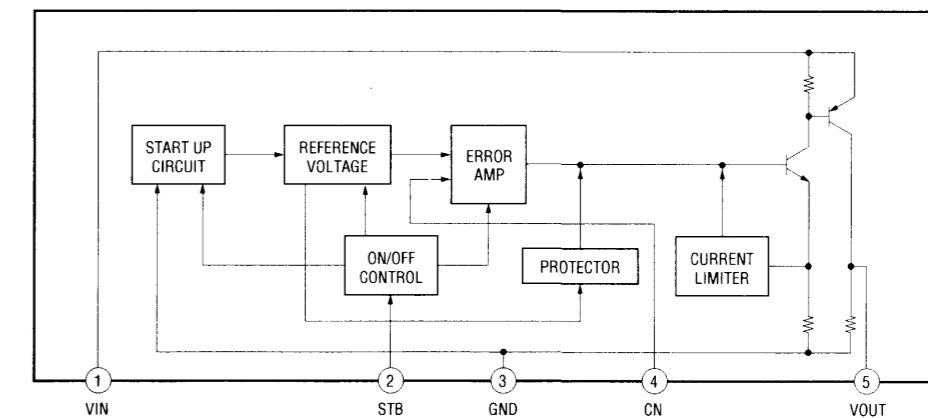
IC152 BH6511FS-E2



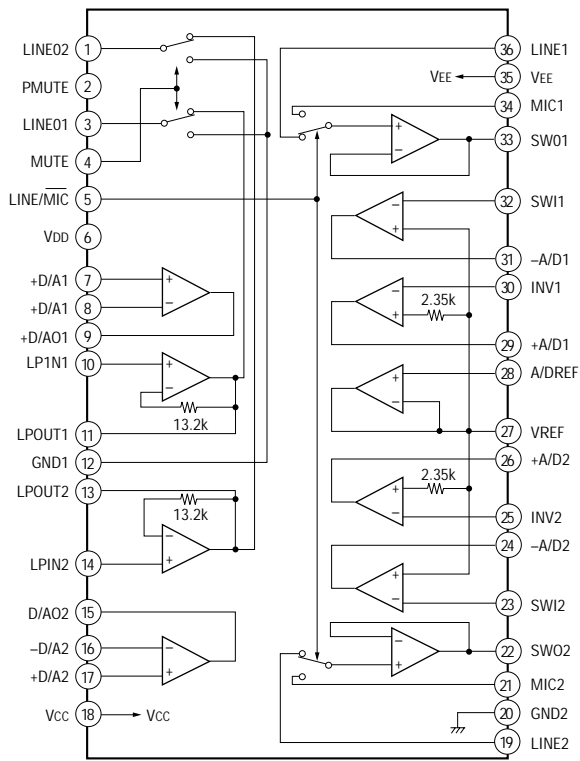
IC171 XL24C01AF-E2



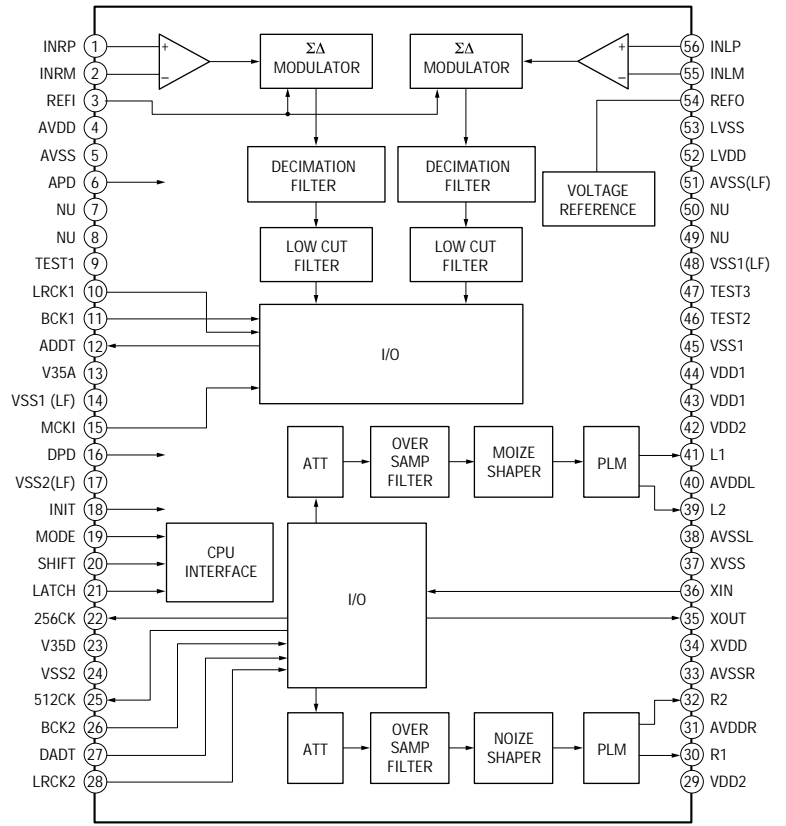
IC192 L88MS33T-TL



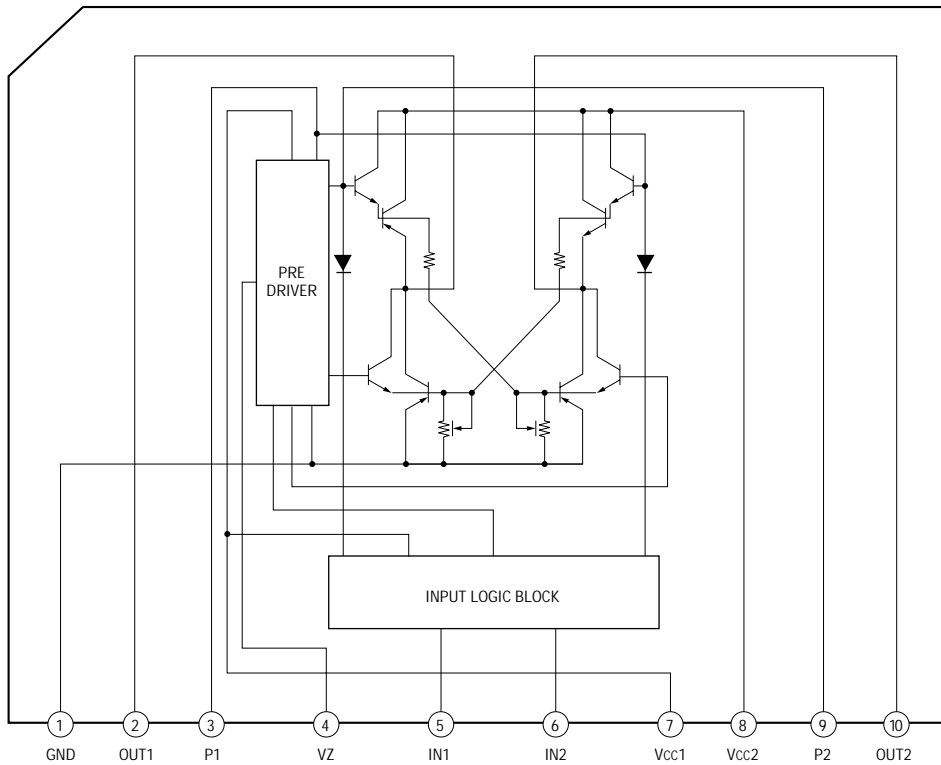
IC101 CXA8065S



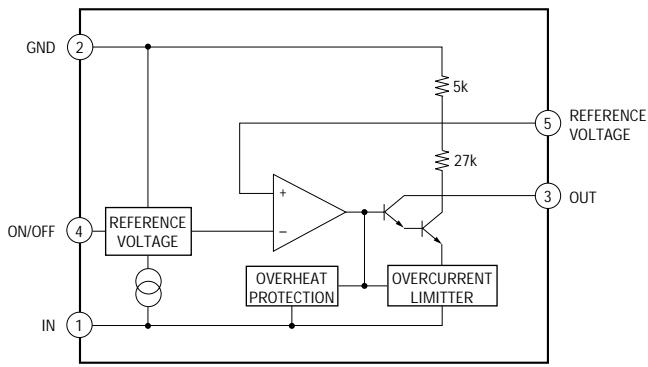
IC201 CXD8607N



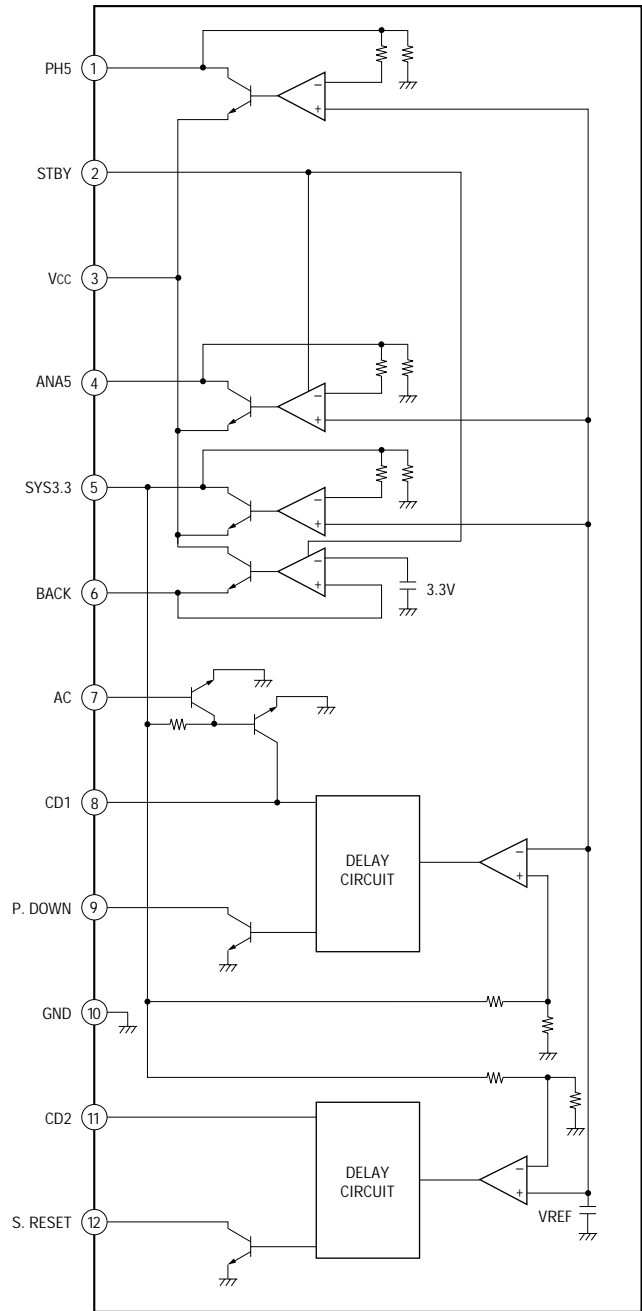
IC311 LB1641



IC310 M5293L



IC501 LA5620



6-10. IC PIN FUNCTIONS

• IC101 RF Amplifier (CXA2523R)

| Pin No. | Pin Name | I/O | Function |
|---------|----------|-----|--|
| 1 | I | I | I-V converted RF signal I input |
| 2 | J | I | I-V converted RF signal J input |
| 3 | VC | O | Middle point voltage (+1.5V) generation output |
| 4 to 9 | A to F | I | Signal input from the optical pick-up detector |
| 10 | PD | I | Light amount monitor input |
| 11 | APC | O | Laser APC output |
| 12 | APCREF | I | Reference voltage input for setting laser power |
| 13 | GND | — | Ground |
| 14 | TEMPI | I | Temperature sensor connection |
| 15 | TEMPR | O | Reference voltage output for the temperature sensor |
| 16 | SWDT | I | Serial data input from the CXD2652AR |
| 17 | SCLK | I | Serial clock input from the CXD2652AR |
| 18 | XLAT | I | Latch signal input from the CXD2652AR “L”: Latch |
| 19 | XSTBY | I | Stand by signal input “L”: Stand by |
| 20 | FOCNT | I | Center frequency control voltage input of BPF22, BPF3T, EQ from the CXD2652AR |
| 21 | VREF | O | Reference voltage output (Not used) |
| 22 | EQADJ | I/O | Center frequency setting pin for the internal circuit EQ |
| 23 | 3TADJ | I/O | Center frequency setting pin for the internal circuit BPF3T |
| 24 | Vcc | — | +3V power supply |
| 25 | WBLADJ | I/O | Center frequency setting pin for the internal circuit BPF22 |
| 26 | TE | O | Tracking error signal output to the CXD2652AR |
| 27 | CSLED | — | External capacitor connection pin for the sled error signal LPF |
| 28 | SE | O | Sled error signal output to the CXD2652AR |
| 29 | ADFM | O | FM signal output of ADIP |
| 30 | ADIN | I | ADIP signal comparator input ADFM is connected with AC coupling |
| 31 | ADAGC | — | External capacitor connection pin for AGC of ADIP |
| 32 | ADFG | O | ADIP duplex signal output to the CXD2652AR |
| 33 | AUX | O | I ₃ signal/temperature signal output to the CXD2652AR (Switching with a serial command) |
| 34 | FE | O | Focus error signal output to the CXD2652AR |
| 35 | ABCD | O | Light amount signal output to the CXD2652AR |
| 36 | BOTM | O | RF/ABCD bottom hold signal output to the CXD2652AR |
| 37 | PEAK | O | RF/ABCD peak hold signal output to the CXD2652AR |
| 38 | RF | O | RF equalizer output to the CXD2652AR |
| 39 | RFAGC | — | External capacitor connection pin for the RF AGC circuit |
| 40 | AGCI | I | Input to the RF AGC circuit The RF amplifier output is input with AC coupling |
| 41 | COMPO | O | User comparator output (Not used) |
| 42 | COMPP | I | User comparator input (Fixed at “L”) |
| 43 | ADDC | I/O | External capacitor pin for cutting the low band of the ADIP amplifier |
| 44 | OPO | O | User operation amplifier output (Not used) |
| 45 | OPN | I | User operation amplifier inversion input (Fixed at “L”) |
| 46 | RFO | O | RF amplifier output |
| 47 | MORFI | I | Groove RF signal is input with AC coupling |
| 48 | MORFO | O | Groove RF signal output |

• Abbreviation

APC: Auto Power Control
AGC: Auto Gain Control

• IC121 Digital Signal Processor, Digital Servo Signal Processor, EFM/ACIRC Encoder/Decoder, Shock-proof Memory Controller, ATRAC Encoder/Decoder, 2M Bit DRAM (CXD2652AR)

| Pin No. | Pin Name | I/O | Function |
|----------|--------------|-------|--|
| 1 | MNT0 (FOK) | O | FOK signal output to the system control “H” is output when focus is on |
| 2 | MNT1 (SHCK) | O | Track jump detection signal output to the system control |
| 3 | MNT2 (XBUSY) | O | Monitor 2 output to the system control |
| 4 | MNT3 (SLOC) | O | Monitor 3 output to the system control |
| 5 | SWDT | I | Writing data signal input from the system control |
| 6 | SCLK | I (S) | Serial clock signal input from the system control |
| 7 | XLAT | I (S) | Serial latch signal input from the system control |
| 8 | SRDT | O (3) | Reading data signal output to the system control |
| 9 | SENS | O (3) | Internal status (SENSE) output to the system control |
| 10 | XRST | I (S) | Reset signal input from the system control “L”: Reset |
| 11 | SQSY | O | Subcode Q sync (SCOR) output to the system control “L” is output every 13.3 msec. Almost all, “H” is output |
| 12 | DQSY | O | Digital In U-bit CD format subcode Q sync (SCOR) output to the system control “L” is output every 13.3 msec Almost all, “H” is output |
| 13 | RECP | I | Laser power switching input from the system control “H”: Recording, “L”: Playback |
| 14 | XINT | O | Interrupt status output to the system control |
| 15 | TX | I | Recording data output enable input from the system control |
| 16 | OSCI | I | System clock input (512Fs=22.5792 MHz) |
| 17 | OSCO | O | System clock output (512Fs=22.5792 MHz) (Not used) |
| 18 | XTSL | I | System clock frequency setting “L”: 45.1584 MHz, “H”: 22.5792 MHz (Fixed at “H”) |
| 19 | TEST G | — | Test input |
| 20 | DVSS | — | Ground (Digital) |
| 21 | DIN | I | Digital audio input (Optical input) |
| 22 | DOUT | O | Digital audio output (Optical output) |
| 23 | ADDT | I | Data input from the A/D converter |
| 24 | DADT | O | Data output to the D/A converter |
| 25 | LRCK | O | LR clock output for the A/D and D/A converter (44.1 kHz) |
| 26 | XBCK | O | Bit clock output to the A/D and D/A converter (2.8224 MHz) |
| 27 | FS256 | O | 11.2896 MHz clock output (Not used) |
| 28 | DVDD | — | +3V power supply (Digital) |
| 29 to 32 | A03 to A00 | O | DRAM address output |
| 33 | A10 | O | |
| 34 to 38 | A04 to A08 | O | |
| 39 | A11 | O | |
| 40 | DVSS | — | Ground (Digital) |
| 41 | XOE | O | Output enable output for DRAM |
| 42 | XCAS | O | $\overline{\text{CAS}}$ signal output for DRAM |
| 43 | A09 | O | Address output for DRAM |
| 44 | XRAS | O | $\overline{\text{RAS}}$ signal output for DRAM |
| 45 | XWE | O | Write enable signal output for DRAM |

* I (S) stands for Schmidt input, I (A) for analog input, O (3) for 3-state output, and O (A) for analog output in the column I/O

| Pin No. | Pin Name | I/O | Function |
|---------|----------|-------|--|
| 46 | D1 | I/O | Data input/output for DRAM |
| 47 | D0 | I/O | |
| 48, 49 | D2, D3 | I/O | |
| 50 | MVCI | I (S) | Clock input from an external VCO (Fixed at "L") |
| 51 | ASYO | O | Playback EFM duplex signal output |
| 52 | ASYI | I (A) | Playback EFM comparator slice level input |
| 53 | AVDD | — | +3V power supply (Analog) |
| 54 | BIAS | I (A) | Playback EFM comparator bias current input |
| 55 | RFI | I (A) | Playback EFM RF signal input |
| 56 | AVSS | — | Ground (Analog) |
| 57 | PDO | O (3) | Phase comparison output for the clock playback analog PLL of the playback EFM (Not used) |
| 58 | PCO | O (3) | Phase comparison output for the recording/playback EFM master PLL |
| 59 | FILI | I (A) | Filter input for the recording/playback EFM master PLL |
| 60 | FILO | O (A) | Filter output for the recording/playback EFM master PLL |
| 61 | CLTV | I (A) | Internal VCO control voltage input for the recording/playback EFM master PLL |
| 62 | PEAK | I (A) | Light amount signal peak hold input from the CXA2523R |
| 63 | BOTM | I (A) | Light amount signal bottom hold input from the CXA2523R |
| 64 | ABCD | I (A) | Light amount signal input from the CXA2523R |
| 65 | FE | I (A) | Focus error signal input from the CXA2523R |
| 66 | AUX1 | I (A) | Auxiliary A/D input |
| 67 | VC | I (A) | Middle point voltage (+1.5V) input from the CXA2523R |
| 68 | ADIO | O (A) | Monitor output of the A/D converter input signal (Not used) |
| 69 | AVDD | — | +3V power supply (Analog) |
| 70 | ADRT | I (A) | A/D converter operational range upper limit voltage input (Fixed at "H") |
| 71 | ADRB | I (A) | A/D converter operational range lower limit voltage input (Fixed at "L") |
| 72 | AVSS | — | Ground (Analog) |
| 73 | SE | I (A) | Sled error signal input from the CXA2523R |
| 74 | TE | I (A) | Tracking error signal input from the CXA2523R |
| 75 | AUX2 | I (A) | Auxiliary A/D input (Fixed at "L") |
| 76 | DCHG | I (A) | Connected to +3V power supply |
| 77 | APC | I (A) | Error signal input for the laser digital APC (Fixed at "L") |
| 78 | ADFG | I (S) | ADIP duplex FM signal input from the CXA2523R (22.05 ± 1 kHz) |
| 79 | F0CNT | O | Filter f ₀ control output to the CXA2523R |
| 80 | XLRF | O | Control latch output to the CXA2523R |
| 81 | CKRF | O | Control clock output to the CXA2523R |
| 82 | DTRF | O | Control data output to the CXA2523R |
| 83 | APCREF | O | Reference PWM output for the laser APC |
| 84 | LDDR | O | PWM output for the laser digital APC (Not used) |
| 85 | TRDR | O | Tracking servo drive PWM output (–) |

- Abbreviation

EFM: Eight to Fourteen Modulation

PLL : Phase Locked Loop

VCO: Voltage Controlled Oscillator

| Pin No. | Pin Name | I/O | Function |
|----------|----------------|-------|--|
| 86 | TFDR | O | Tracking servo drive PWM output (+) |
| 87 | DVDD | — | +3V power supply (Digital) |
| 88 | FFDR | O | Focus servo drive PWM output (+) |
| 89 | FRDR | O | Focus servo drive PWM output (-) |
| 90 | FS4 | O | 176.4 kHz clock signal output (X'tal) (Not used) |
| 91 | SRDR | O | Sled servo drive PWM output (-) |
| 92 | SFDR | O | Sled servo drive PWM output (+) |
| 93 | SPRD | O | Spindle servo drive PWM output (-) |
| 94 | SPFD | O | Spindle servo drive PWM output (+) |
| 95 | FGIN | I (S) | Spindle CAV servo FG input |
| 96 to 98 | TEST1 to TEST3 | I | Test input (Fixed at "L") |
| 99 | DVSS | — | Ground (Digital) |
| 100 | EFMO | O | EFM output when recording |

- Abbreviation

EFM: Eight to Fourteen Modulation

• IC201 A/D, D/A converter (CXD8607N)

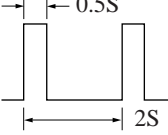
| Pin No. | Pin Name | I/O | Function |
|---------|-----------|-----|--|
| 1 | INRP | I | Rch analog (+) input |
| 2 | INRM | I | Rch analog (-) input |
| 3 | REFI | I | A/D reference voltage input (+3.2V) |
| 4 | AVDD | — | +5V power supply (A/D, analog) |
| 5 | AVSS | — | Ground (A/D, analog) |
| 6 | APD | I | A/D analog block power down “L”: Power down |
| 7 | NU | — | Not used |
| 8 | NU | — | |
| 9 | TEST1 | I | Test pin (Fixed at “L”) |
| 10 | LRCK1 | I | A/D LRCK input |
| 11 | BCK1 | I | A/D BCK input |
| 12 | ADDT | O | A/D data output |
| 13 | V35A | — | +3.3V power supply |
| 14 | VSS1 (LF) | — | Ground (A/D, digital) |
| 15 | MCKI | I | A/D master clock input (256 fs) |
| 16 | DPD | I | A/D digital block power down “L”: Power down/reset |
| 17 | VSS2 (LF) | — | Ground (D/A, digital) |
| 18 | INIT | I | D/A initialize “L”: Initialize |
| 19 | MODE | I | Mode flag input |
| 20 | SHIFT | I | Shift clock input |
| 21 | LATCH | I | Latch clock input |
| 22 | 256CK | O | 256 fs clock output |
| 23 | V35D | — | +3.3V power supply |
| 24 | VSS2 | — | Ground (D/A, digital) |
| 25 | 512CK | O | 512 fs clock output |
| 26 | BCK2 | I | D/A BCK input |
| 27 | DADT | I | D/A data input |
| 28 | LRCK2 | I | D/A LRCK input |
| 29 | VDD2 | — | +5V power supply (D/A, digital) |
| 30 | R1 | O | Rch PLM output 1 |
| 31 | AVDDR | — | +5V power supply (D/A, Rch, analog) |
| 32 | R2 | O | Rch PLM output 2 |
| 33 | AVSSR | — | Ground (D/A, Rch, analog) |
| 34 | XVDD | — | +5V power supply (X’tal) |
| 35 | XOUT | O | X’tal oscillation output (22 MHz) |
| 36 | XIN | I | X’tal oscillation input (512 fs) (22 MHz) |
| 37 | XVSS | — | Ground (X’tal) |
| 38 | AVSSL | — | Ground (D/A, Lch, analog) |
| 39 | L2 | O | Lch PLM output 2 |
| 40 | AVDDL | — | +5V power supply (D/A, Lch, analog) |

| Pin No. | Pin Name | I/O | Function |
|---------|-----------|-----|--------------------------------------|
| 41 | L1 | O | Lch PLM output 1 |
| 42 | VDD2 | — | +5V power supply (D/A, digital) |
| 43 | VDD1 | — | +5V power supply (A/D, digital) |
| 44 | VDD1 | — | |
| 45 | VSS1 | — | Ground (A/D, digital) |
| 46 | TEST2 | I | Test pin (Fixed at “L”) |
| 47 | TEST3 | I | |
| 48 | VSS1 (LF) | — | Ground (A/D, digital) |
| 49 | NU | — | Not used |
| 50 | NU | — | |
| 51 | AVSS (LF) | — | Ground (A/D, analog) |
| 52 | LVDD | — | +5V power supply (A/D, buffer) |
| 53 | LVSS | — | Ground (A/D, buffer) |
| 54 | REFO | O | A/D reference voltage output (+3.2V) |
| 55 | INLM | I | Lch analog (-) input |
| 56 | INLP | I | Lch analog (+) input |

• IC401 System Control (RU8X11AMF-0115)

| Pin No. | Pin Name | I/O | Function |
|---------|--------------|-----|---|
| 1 | DAOUT 0 | O | Test pin. C1 is output when test mode (Not used) |
| 2 | DAOUT 1 | O | Test pin. ADER is output when test mode (Not used) |
| 3 to 5 | KEY0 to KEY2 | I | Key input pin (D/A input) |
| 6 | CHUCK IN | I | Detection input from the chucking-in switch “L”: Chucking |
| 7 | PACK IN | I | Detection input from the disc detection switch |
| 8 | PACK OUT | I | Detection input from the loading out switch. Loaded out position: “L”, Others: “H” |
| 9 | TIMER | I | Key input pin (D/A input) |
| 10 | SOURCE | I | |
| 11 | (AVSS) | — | Ground (Analog) |
| 12 | XINT | I | Interrupt status input from the CXD2652AR |
| 13 | P DOWN | I | POWER DOWN signal input “L”: Down |
| 14 | REMOCON | I | Remote control signal interrupt input |
| 15 | SQSY | I | ATP address sync or subcode Q sync (SCOR) input from the CXD2652AR “L” is input every 13.3 msec Almost all, “H” |
| 16 | DQSY | I | Digital-In U-bit CD format subcode Q sync (SCOR) input from the CXD2652AR “L” is input every 13.3 msec Almost all, “H” |
| 17 | — | I | Not used |
| 18 | — | O | |
| 19 | — | O | |
| 20 | SYS-RST | I | System reset signal input For several hundreds msec after the power supply rises, “L” is input, then it changes to “H” |
| 21 | (TEST) | I | Test pin (Fixed at “L”) |
| 22 | +3.3V | — | +3.3V power supply |
| 23 | BACK | — | Power supply pin to RTC (clock) and RAM |
| 24 | XOUT-T | O | Clock output (32.768 kHz) (For clock) |
| 25 | XIN-T | I | Clock input (32.768 kHz) (For clock) |
| 26 | GND | — | Ground |
| 27 | XOUT | O | Main clock output (12 MHz) |
| 28 | XIN | I | Main clock input (12 MHz) |
| 29 | GND | — | Ground |
| 30 | (S1) | O | Not used |
| 31 | DOSEL | O | |
| 32 | SENS | I | Internal status (SENSE) input from the CXD2652AR |
| 33 | SHOCK | I | Track jump signal input from the CXD2652AR |
| 34 | REC/OTHER | I | BEEP sound output switching signal input (Not used) |
| 35 | CD/VIDEO | I | Not used |
| 36 | STBY | O | Strobe signal output to the power supply circuit Power supply ON: “H”, stand by: “L” |
| 37 | REC P | I | Detection signal input from the recording position detection switch |
| 38 | PB P | I | Detection signal input from the playback position detection switch |
| 39 | LD LOW | O | Loading motor voltage control output |
| 40 | — | O | Not used |

| Pin No. | Pin Name | I/O | Function |
|---------|-------------------|-----|---|
| 41 | MNT2 | I | Monitor 2 input from the CXD2652AR |
| 42 | MNT3 | I | Monitor 3 input from the CXD2652AR |
| 43 | LED0 | O | Drive output to the POWER ON/STANDBY display LED |
| 44 | — | I | Power supply ON: “H”, stand by: “L” (Not used) |
| 45 | — | I | Not used |
| 46 | BUS OUT | O | Not used |
| 47 | GND | — | Ground |
| 48 | +3.3V | — | +3.3V power supply |
| 49 | BEEP SW | I | Input from the BEEP sound output ON/OFF switch (Not used) |
| 50, 51 | JOG 1, JOG 0 | I | JOG dial pulse input from the rotary encoder |
| 52 | SDA | I/O | Data signal input/output pin with the backup memory |
| 53 | SCL | O | Clock signal output to the backup memory |
| 54 | $\overline{FS32}$ | O | Drive output to the DIGITAL INPUT LED “L”: Light (Not used) |
| 55 | $\overline{FS44}$ | O | |
| 56 | $\overline{FS48}$ | O | |
| 57 | — | I | Terminal for switching the used model (Not used) |
| 58 | — | I | |
| 59 | AUBK | I | Not used |
| 60 | SA/SW | O | Audio bus/remote control switching signal output (Not used) |
| 61 | \overline{AIN} | I | Not used |
| 62 | — | O | |
| 63 | CLKSET0 | I | Clock destination select pin |
| 64 | CLKSET1 | I | |
| 65 | GND | — | Ground |
| 66 | +3.3V | — | +3.3V power supply |
| 67 | SCLK | O | Clock signal output to the serial bus |
| 68 | SWDT | O | Writing data signal output to the serial bus |
| 69 | SRDT | I | Reading data signal input from the serial bus |
| 70 | — | I | Not used |
| 71 | FLCLK | O | Serial clock signal output to the display driver |
| 72 | FLDATA | O | Serial data signal output to the display driver |
| 73 | FLCS | O | Chip select signal output to the display driver |
| 74 | — | I | Not used |
| 75 | LDON | O | Laser ON/OFF control output “H”: Laser ON |
| 76 | PIT/GRV | I | Pit/groove detection input “H” is input for the playback only disc or TOC area (Not used) |
| 77 | FOK | I | FOK signal input from the CXD2652AR “H” is input when focus is on |
| 78 | — | I | Not used |
| 79 | LOCK | O | Not used |
| 80 | WRPWR | O | Laser power switching signal output to the optical pick-up and CXD2652AR |

| Pin No. | Pin Name | I/O | Function |
|---------|----------|-----|---|
| 81 | DIG-RST | O | Reset signal output to the CXD2652AR and motor driver Reset: "L" |
| 82 | BEEP | O | BEEP PWM output (Not used) |
| 83 | ADARES | O | Reset signal output to the D/A, A/D converter Reset: "L" |
| 84 | SEL-A | O | Not used |
| 85 | SEL B | O | Digital input selection signal output |
| 86 | MOD | O | Laser modulation switching signal output Playback power: "L", stop: "H" Recording power:  |
| 87 | REC/PB | O | Not used |
| 88 | — | O | |
| 89 | SCTX | O | Writing data transmission timing output to the CXD2652AR Shared with the magnetic head ON/OFF output |
| 90 | XLATCH | O | Latch signal output to the serial bus |
| 91 | — | O | Not used |
| 92 | — | I | Not used |
| 93 | MUTE | O | Line out muting output |
| 94 | LD OUT | O | Loading motor control output *1 |
| 95 | LD IN | O | |
| 96 | LIMITIN | I | Detection input from the limit switch Sled limit-In: "L" |
| 97 | PROTECT | I | Recording-protection claw detection input from the protection detection switch Protect: "H" |
| 98 | REFLECT | I | Disk reflection rate detection input from the reflect detection switch Disk with low reflection rate: "H" |
| 99 | GND | — | Ground |
| 100 | +3.3V | — | +3.3V power supply |

*1 Loading motor control

| Pin | Operation | | |
|---------------|-----------|-----|-------|
| | IN | OUT | Brake |
| LD IN 95 pin | "H" | "L" | "H" |
| LD OUT 94 pin | "L" | "H" | "H" |

SECTION 7 EXPLODED VIEWS

NOTE:

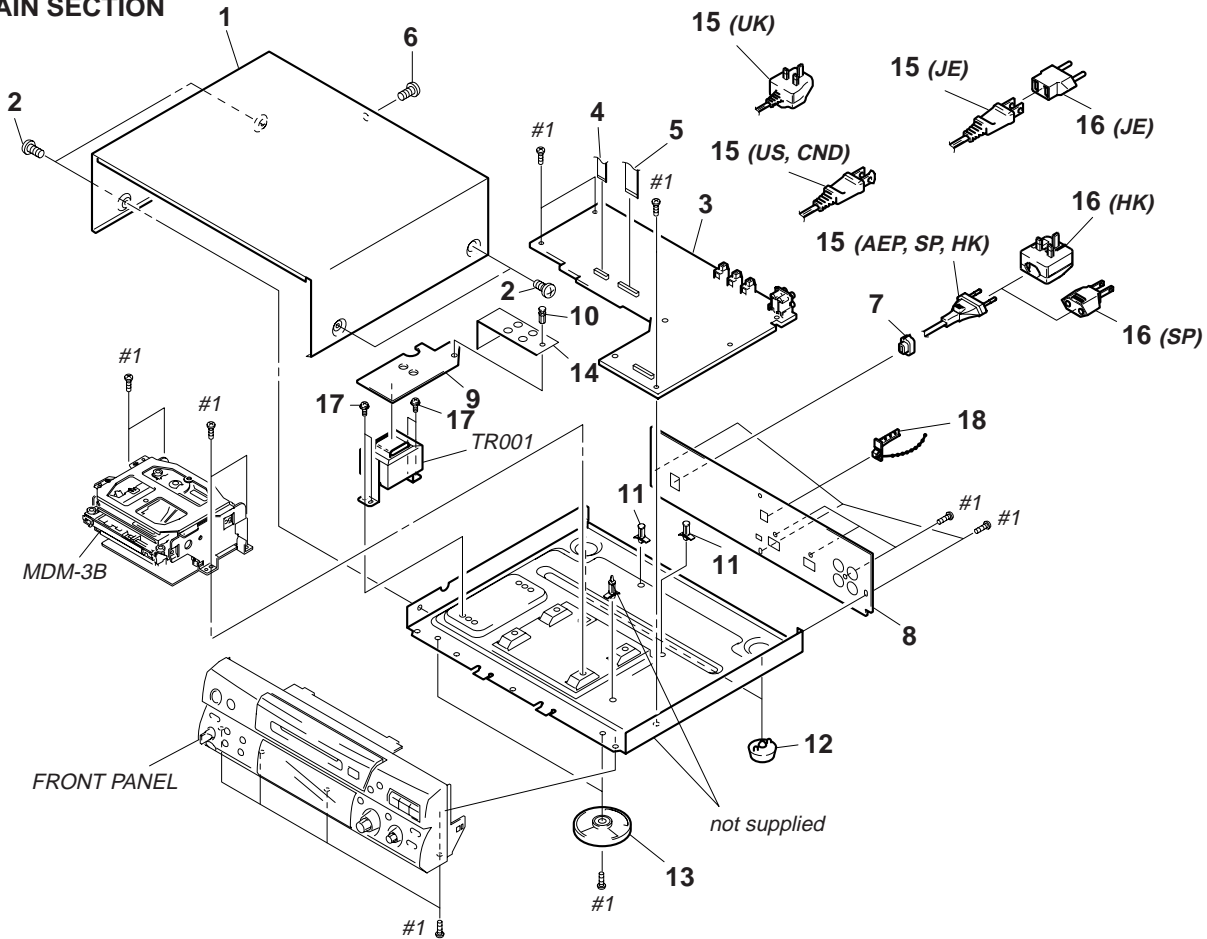
- Items marked “*” are not stocked since they are seldom required for routine service. Some delay should be anticipated when ordering these items.
- Color Indication of Appearance Parts Example:
 KNOB, BALANCE (RED)
 ↓
 Cabinets color
- The mechanical parts with no reference number in the exploded views are not supplied.

- Hardware (# mark) list and accessories and packing materials are given in the last of this parts list.
- Abbreviation
 CND : Canadian model
 HK : Hong Kong model
 SP : Singapore model
 JE : Tourist model

The components identified by mark \triangle or dotted line with mark \triangle are critical for safety. Replace only with part number specified.

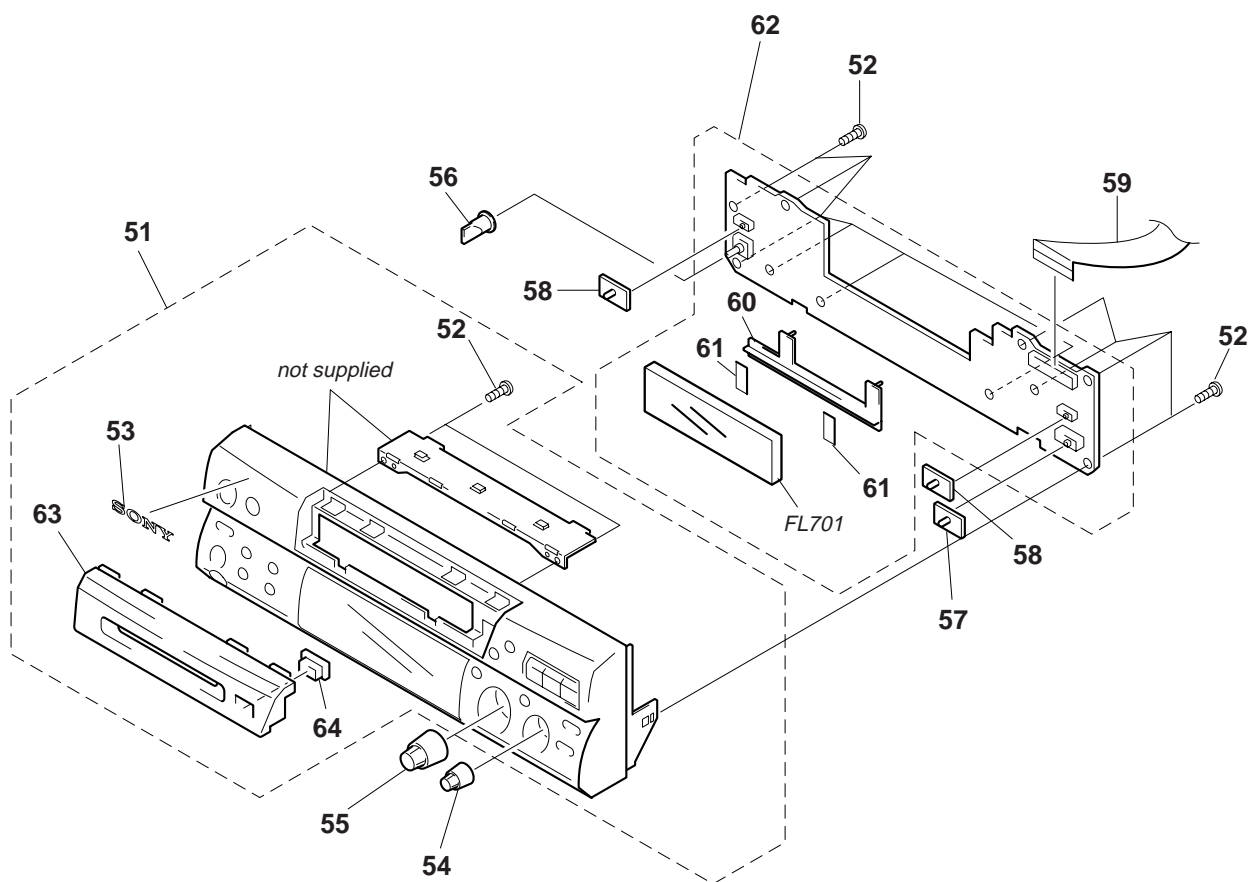
Les composants identifiés par une marque \triangle sont critiques pour la sécurité. Ne les remplacer que par une pièce portant le numéro spécifié.

7-1. MAIN SECTION



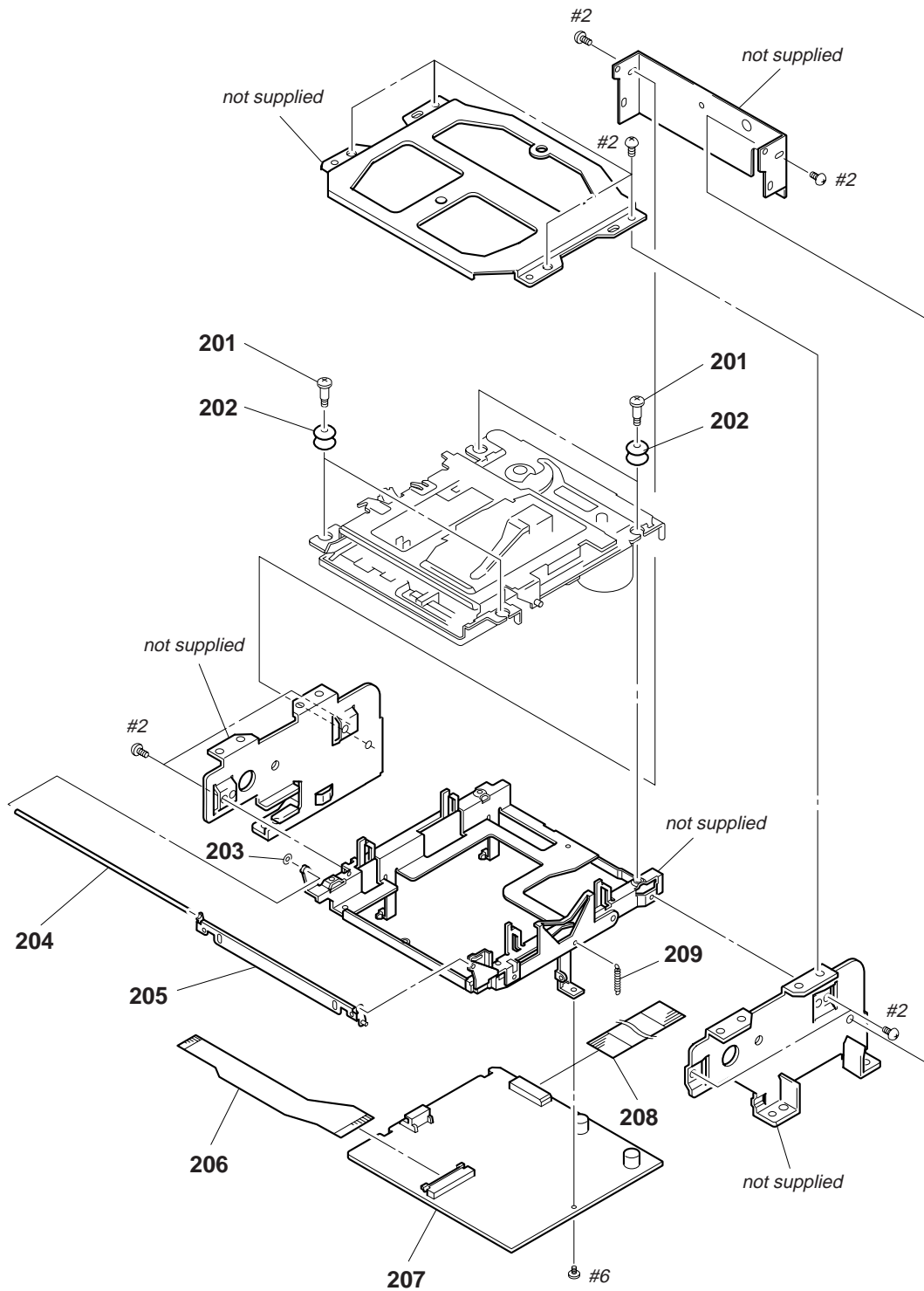
| Ref. No. | Part No. | Description | Remark | Ref. No. | Part No. | Description | Remark |
|----------|--------------|-------------------------------------|--------|-------------------|--------------|---|--------|
| * 1 | 4-990-703-11 | CASE (SILVER) | | * 9 | 1-665-008-11 | TRANSFORMER BOARD | |
| * 1 | 4-990-703-21 | CASE (BLACK) | | 10 | 3-531-576-01 | RIVET (AEP,SP) | |
| 2 | 3-363-099-01 | SCREW (CASE 3 TP2)(BLACK) | | 10 | 3-531-576-11 | RIVET (UK,SP,HK) | |
| 2 | 3-363-099-11 | SCREW (CASE 3 TP2)(SILVER) | | * 11 | 3-350-847-31 | HOLDER, PCB | |
| * 3 | A-4699-641-A | MAIN BOARD, COMPLETE (JE) | | 12 | 4-965-822-01 | FOOT | |
| * 3 | A-4699-714-A | MAIN BOARD, COMPLETE (AEP,UK) | | 13 | 4-977-699-11 | LEG (F)(AEP: SILVER, US, CND, SP, HK, JE) | |
| * 3 | A-4699-717-A | MAIN BOARD, COMPLETE (US,CND) | | 13 | 4-977-699-21 | LEG (F)(AEP: BLACK, UK) | |
| * 3 | A-4699-720-A | MAIN BOARD, COMPLETE (SP) | | * 14 | 4-992-229-01 | INSULATOR (TR)(AEP,UK,SP,HK) | |
| * 3 | A-4699-723-A | MAIN BOARD, COMPLETE (HK) | | \triangle 15 | 1-558-945-21 | CORD, POWER (POLAR.SPT-1)(US,CND) | |
| 4 | 1-782-264-11 | WIRE (FLAT TYPE)(19 CORE) | | \triangle 15 | 1-575-651-91 | CORD, POWER (AEP,SP,HK) | |
| 5 | 1-782-263-11 | WIRE (FLAT TYPE)(29 CORE) | | \triangle 15 | 1-696-027-11 | CORD, POWER (JE) | |
| 6 | 3-703-685-21 | SCREW (+BV 3X8) | | \triangle 15 | 1-696-586-21 | CORD, POWER (UK) | |
| * 7 | 3-703-244-00 | BUSHING (2104), CORD (AEP,UK,SP,HK) | | \triangle 16 | 1-569-007-11 | ADAPTOR, CONVERSION 2P (JE) | |
| 7 | 3-703-571-11 | BUSHING (S)(4516), CORD (US,CND,JE) | | \triangle 16 | 1-569-008-21 | ADAPTOR, CONVERSION 2P (SP) | |
| * 8 | 4-989-525-11 | PANEL, BACK (US) | | \triangle 16 | 1-770-019-11 | ADAPTOR, CONVERSION PLUG 3P (HK) | |
| * 8 | 4-989-525-21 | PANEL, BACK (CND) | | 17 | 4-886-821-11 | SCREW, S TIGHT, +PTTWH 3X6 | |
| * 8 | 4-989-525-31 | PANEL, BACK (AEP) | | 18 | 4-956-370-12 | BAND, PLUG FIXED (UK,HK) | |
| * 8 | 4-989-525-41 | PANEL, BACK (UK) | | \triangle TR001 | 1-431-252-11 | TRANSFORMER, POWER (US, CND) | |
| * 8 | 4-989-525-51 | PANEL, BACK (SP) | | \triangle TR001 | 1-431-253-11 | TRANSFORMER, POWER (AEP,UK,HK) | |
| * 8 | 4-989-525-61 | PANEL, BACK (HK) | | \triangle TR001 | 1-431-254-11 | TRANSFORMER, POWER (SP,JE) | |
| * 8 | 4-989-525-72 | PANEL, BACK (JE) | | | | | |

7-2. FRONT PANEL SECTION



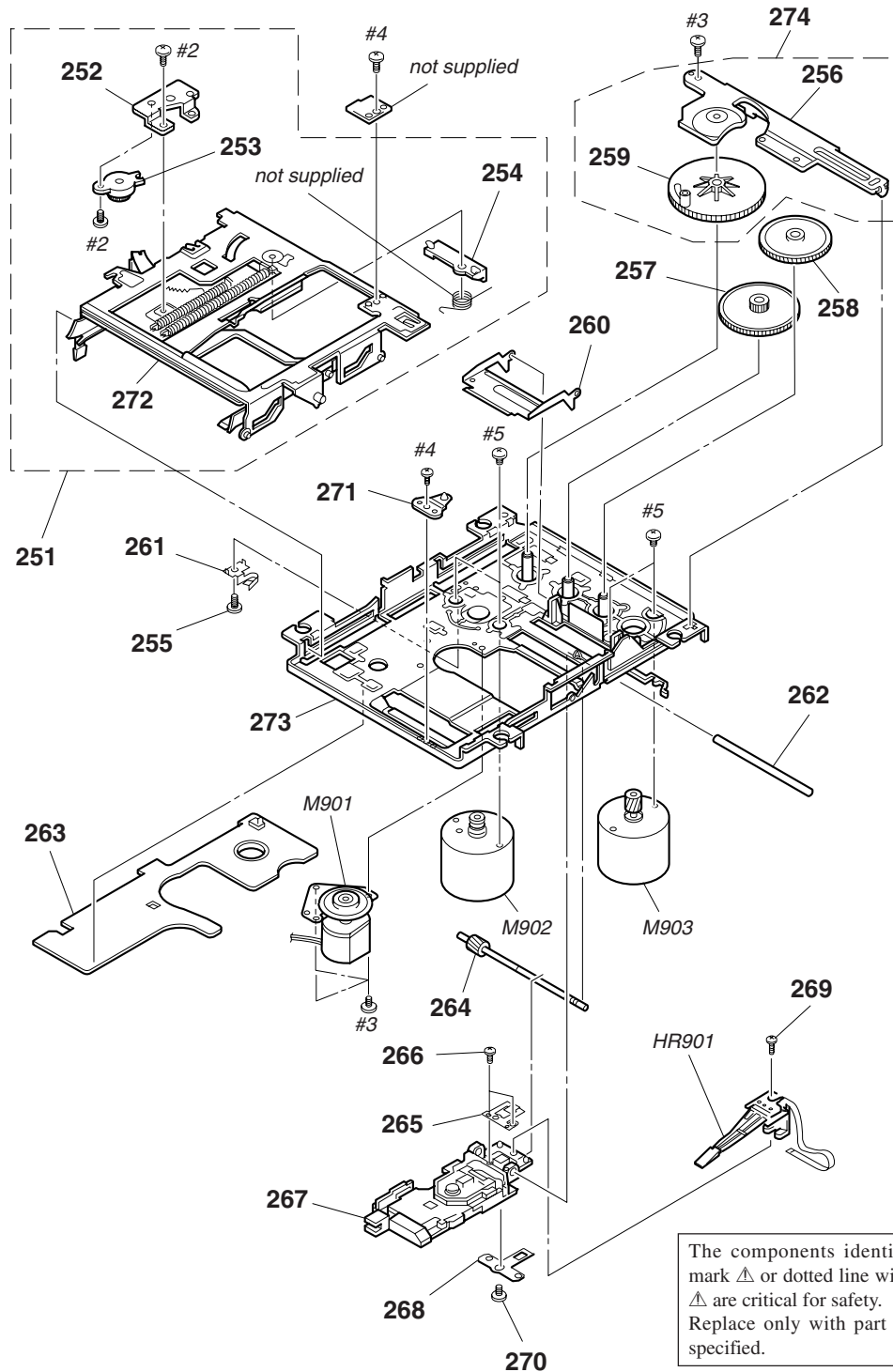
| Ref. No. | Part No. | Description | Remark | Ref. No. | Part No. | Description | Remark |
|----------|--------------|---------------------------------------|--------|----------|--------------|------------------------------------|--------|
| 51 | X-4948-319-1 | PANEL ASSY, FRONT (SILVER)(JE) | | 59 | 1-782-265-11 | WIRE (FLAT TYPE)(23 CORE) | |
| 51 | X-4948-320-1 | PANEL ASSY, FRONT (BLACK) | | * 60 | 4-983-462-01 | HOLDER (FL) | |
| 51 | X-4948-321-1 | PANEL ASSY, FRONT (SILVER)(EXCEPT JE) | | 61 | 2-389-320-01 | CUSHION | |
| 52 | 4-951-620-01 | SCREW (2.6X8), +BVTP | | * 62 | A-4699-645-A | PANEL BOARD, COMPLETE (JE) | |
| 53 | 4-962-708-11 | EMBLEM (4-A), SONY | | * 62 | A-4699-715-A | PANEL BOARD, COMPLETE (AEP,UK) | |
| 54 | 4-989-520-01 | KNOB (REC)(BLACK) | | * 62 | A-4699-718-A | PANEL BOARD, COMPLETE (US,CND) | |
| 54 | 4-989-520-11 | KNOB (REC)(SILVER) | | * 62 | A-4699-721-A | PANEL BOARD, COMPLETE (SP) | |
| 55 | 4-989-519-01 | KNOB (AMS)(BLACK) | | * 62 | A-4699-724-A | PANEL BOARD, COMPLETE (HK) | |
| 55 | 4-989-519-11 | KNOB (AMS)(SILVER) | | 63 | 4-989-507-11 | ESCUTCHEON (MD)(SILVER)(JE) | |
| 56 | 4-989-518-01 | KNOB (HP)(BLACK) | | 63 | 4-989-507-21 | ESCUTCHEON (MD)(BLACK) | |
| 56 | 4-989-518-11 | KNOB (HP)(SILVER) | | 63 | 4-989-507-31 | ESCUTCHEON (MD)(SILVER)(EXCEPT JE) | |
| 57 | 4-989-517-01 | KNOB (INPUT)(BLACK) | | 64 | 4-989-515-11 | BUTTON (EJECT) (JE) | |
| 57 | 4-989-517-11 | KNOB (INPUT)(SILVER) | | 64 | 4-989-515-21 | BUTTON (EJECT) (EXCEPT JE) | |
| 58 | 4-989-516-01 | KNOB (TIMER)(BLACK) | | FL701 | 1-517-575-11 | INDICATOR TUBE, FLUORESCENT | |
| 58 | 4-989-516-11 | KNOB (TIMER)(SILVER) | | | | | |

7-3. MECHANISM DECK SECTION (1) (MDM-3B)



| Ref. No. | Part No. | Description | Remark | Ref. No. | Part No. | Description | Remark |
|----------|--------------|----------------------|--------|----------|--------------|---------------------------|--------|
| 201 | 4-628-167-01 | SCREW, STEP | | 205 | X-4948-722-1 | SHUTTER ASSY (SILVER) | |
| 202 | 4-987-327-01 | INSULATOR | | 206 | 1-660-966-11 | OP RELAY FLEXIBLE BOARD | |
| 203 | 4-986-959-01 | WASHER, STOPPER | | * 207 | A-4699-770-A | BD BOARD, COMPLETE | |
| 204 | 4-987-736-01 | SHAFT (SHUTTER) | | 208 | 1-777-517-11 | WIRE (FLAT TYPE)(15 CORE) | |
| 205 | X-4947-825-1 | SHUTTER ASSY (BLACK) | | 209 | 4-987-910-01 | SPRING, TORSION (O/C) | |

7-4. MECHANISM DECK SECTION (2) (MDM-3B)



| | |
|--|---|
| The components identified by mark Δ or dotted line with mark Δ are critical for safety. Replace only with part number specified. | Les composants identifiés par une marque Δ sont critiques pour la sécurité. Ne les remplacer que par une pièce portant le numéro spécifié. |
|--|---|

| Ref. No. | Part No. | Description | Remark | Ref. No. | Part No. | Description | Remark |
|----------|--------------|---------------------------|--------|--------------|--------------|--------------------------------|--------|
| 251 | A-4672-138-J | SLIDER ASSY, COMPLETE | | 266 | 3-366-890-11 | SCREW (M1.4) | |
| * 252 | 4-983-439-01 | BRACKET (DAMPER) | | Δ 267 | 8-583-028-02 | OPTICAL PICK-UP (KMS-260A/J1N) | |
| 253 | 3-953-235-01 | DAMPER, OIL | | 268 | 4-987-061-01 | SPACER (RACK) | |
| 254 | 4-979-901-21 | LEVER (LIMITTER) | | 269 | 4-988-560-01 | SCREW (P1.7X6) | |
| 255 | 3-342-375-11 | SCREW (M1.7X1.4), SPECIAL | | 270 | 4-955-841-11 | SCREW | |
| 256 | 4-979-890-11 | RETAINER (GEAR) | | * 271 | 4-983-511-01 | PIN (OUT SERT) | |
| 257 | 4-979-898-01 | GEAR (LB) | | * 272 | 4-983-437-01 | SLIDER (CAM) | |
| 258 | 4-979-899-01 | GEAR (LC) | | 273 | 4-983-435-05 | CHASSIS (OUTSERT), MECHANISM | |
| 259 | 4-979-897-01 | GEAR (LA) | | 274 | X-4949-113-1 | GEAR (LA) ASSY | |
| 260 | 4-979-885-01 | LEVER (HEAD UP) | | HR901 | 1-500-396-11 | HEAD, OVER WRITE | |
| 261 | 4-979-906-11 | SPRING (LEAD SCREW) | | M901 | A-4672-135-A | MOTOR ASSY, SPINDLE | |
| 262 | 4-984-556-01 | SHAFT (MAIN SHAFT) | | M902 | A-4672-133-A | MOTOR ASSY, SLED | |
| * 263 | 1-661-774-11 | SW BOARD | | M903 | A-4672-134-A | MOTOR ASSY, LOADING | |
| 264 | A-3304-200-A | SCREW ASSY, LEAD | | | | | |
| 265 | 4-963-914-02 | RACK (INSERTER) | | | | | |

SECTION 8 ELECTRICAL PARTS LIST

Note:

The components identified by mark \triangle or dotted line with mark \triangle are critical for safety. Replace only with part number specified.

Les composants identifiés par une marque \triangle sont critiques pour la sécurité. Ne les remplacer que par une pièce portant le numéro spécifié.

When indicating parts by reference number, please include the board name.

- Due to standardization, replacements in the parts list may be different from the parts specified in the diagrams or the components used on the set.
- Items marked "*" are not stocked since they are seldom required for routine service. Some delay should be anticipated when ordering these items.
- RESISTORS
All resistors are in ohms
METAL: Metal-film resistor
METAL OXIDE: Metal Oxide-film resistor
F : nonflammable

- SEMICONDUCTORS
In each case, u: μ , for example:
uA...: μ A..., uPA...: μ PA..., uPB...: μ PB...,
uPC...: μ PC..., uPD...: μ PD...
- CAPACITORS
uF : μ F
- COILS
uH : μ H
- Abbreviation
CND : Canadian model
HK : Hong Kong model
SP : Singapore model
JE : Tourist model

| Ref. No. | Part No. | Description | Remark | Ref. No. | Part No. | Description | Remark |
|----------|--------------|-----------------------------|----------|----------|--------------|----------------------------------|----------|
| * | A-4699-770-A | BD BOARD, COMPLETE ***** | | C158 | 1-163-019-00 | CERAMIC CHIP 0.0068uF | 10% 50V |
| | | < CAPACITOR > | | C160 | 1-104-601-11 | ELECT CHIP 10uF | 20% 10V |
| C101 | 1-104-851-11 | TANTAL. CHIP 10uF | 20% 10V | C161 | 1-104-601-11 | ELECT CHIP 10uF | 20% 10V |
| C102 | 1-163-038-00 | CERAMIC CHIP 0.1uF | 25V | C163 | 1-164-232-11 | CERAMIC CHIP 0.01uF | 50V |
| C103 | 1-104-851-11 | TANTAL. CHIP 10uF | 20% 10V | C164 | 1-164-232-11 | CERAMIC CHIP 0.01uF | 50V |
| C104 | 1-104-851-11 | TANTAL. CHIP 10uF | 20% 10V | C167 | 1-163-038-00 | CERAMIC CHIP 0.1uF | 25V |
| C105 | 1-164-232-11 | CERAMIC CHIP 0.01uF | 50V | C168 | 1-163-038-00 | CERAMIC CHIP 0.1uF | 25V |
| C106 | 1-163-275-11 | CERAMIC CHIP 0.001uF | 5% 50V | C169 | 1-104-851-11 | TANTAL. CHIP 10uF | 20% 10V |
| C107 | 1-163-038-00 | CERAMIC CHIP 0.1uF | 25V | C171 | 1-163-038-00 | CERAMIC CHIP 0.1uF | 25V |
| C108 | 1-163-038-00 | CERAMIC CHIP 0.1uF | 25V | C181 | 1-126-206-11 | ELECT CHIP 100uF | 20% 6.3V |
| C109 | 1-163-037-11 | CERAMIC CHIP 0.022uF | 10% 25V | C182 | 1-163-038-00 | CERAMIC CHIP 0.1uF | 25V |
| C110 | 1-163-038-00 | CERAMIC CHIP 0.1uF | 25V | C183 | 1-163-038-00 | CERAMIC CHIP 0.1uF | 25V |
| C111 | 1-164-344-11 | CERAMIC CHIP 0.068uF | 10% 25V | C184 | 1-107-836-11 | ELECT CHIP 22uF | 20% 8V |
| C112 | 1-163-017-00 | CERAMIC CHIP 0.0047uF | 5% 50V | C185 | 1-164-611-11 | CERAMIC CHIP 0.001uF | 10% 500V |
| C113 | 1-107-682-11 | CERAMIC CHIP 1uF | 10% 16V | C187 | 1-126-206-11 | ELECT CHIP 100uF | 20% 6.3V |
| C115 | 1-164-489-11 | CERAMIC CHIP 0.22uF | 10% 16V | C188 | 1-164-232-11 | CERAMIC CHIP 0.01uF | 50V |
| C116 | 1-163-037-11 | CERAMIC CHIP 0.022uF | 10% 25V | C189 | 1-163-989-11 | CERAMIC CHIP 0.033uF | 10% 25V |
| C117 | 1-164-004-11 | CERAMIC CHIP 0.1uF | 10% 25V | C190 | 1-126-206-11 | ELECT CHIP 100uF | 20% 6.3V |
| C119 | 1-104-851-11 | TANTAL. CHIP 10uF | 20% 10V | C191 | 1-163-038-00 | CERAMIC CHIP 0.1uF | 25V |
| C121 | 1-126-206-11 | ELECT CHIP 100uF | 20% 6.3V | C195 | 1-164-346-11 | CERAMIC CHIP 1uF | 16V |
| C122 | 1-164-232-11 | CERAMIC CHIP 0.01uF | 50V | C196 | 1-163-038-00 | CERAMIC CHIP 0.1uF | 25V |
| C123 | 1-163-038-00 | CERAMIC CHIP 0.1uF | 25V | C197 | 1-163-038-00 | CERAMIC CHIP 0.1uF | 25V |
| C124 | 1-163-038-00 | CERAMIC CHIP 0.1uF | 25V | | | < CONNECTOR > | |
| C127 | 1-163-038-00 | CERAMIC CHIP 0.1uF | 25V | CN101 | 1-766-508-11 | CONNECTOR, FFC/FPC (ZIF) 22P | |
| C128 | 1-164-232-11 | CERAMIC CHIP 0.01uF | 50V | CN102 | 1-778-461-11 | CONNECTOR, FFC/FPC 29P | |
| C129 | 1-107-823-11 | CERAMIC CHIP 0.47uF | 10% 16V | CN103 | 1-778-460-11 | CONNECTOR, FFC/FPC 19P | |
| C130 | 1-163-251-11 | CERAMIC CHIP 100PF | 5% 50V | CN104 | 1-766-898-21 | HOUSING, CONNECTOR (PC BOARD) 4P | |
| C131 | 1-163-023-00 | CERAMIC CHIP 0.015uF | 5% 50V | CN106 | 1-770-698-11 | CONNECTOR, FFC/FPC 15P | |
| C132 | 1-107-823-11 | CERAMIC CHIP 0.47uF | 10% 16V | CN110 | 1-774-731-21 | PIN, CONNECTOR (PC BOARD) 5P | |
| C133 | 1-163-017-00 | CERAMIC CHIP 0.0047uF | 5% 50V | | | < DIODE > | |
| C134 | 1-163-038-00 | CERAMIC CHIP 0.1uF | 25V | D101 | 8-719-988-62 | DIODE 1SS355 | |
| C135 | 1-163-038-00 | CERAMIC CHIP 0.1uF | 25V | D181 | 8-719-046-86 | DIODE F1J6TP | |
| C136 | 1-126-206-11 | ELECT CHIP 100uF | 20% 6.3V | D183 | 8-719-046-86 | DIODE F1J6TP | |
| C141 | 1-163-038-00 | CERAMIC CHIP 0.1uF | 25V | | | < IC > | |
| C142 | 1-163-251-11 | CERAMIC CHIP 100PF | 5% 50V | IC101 | 8-752-074-77 | IC CXA2523R | |
| C143 | 1-163-251-11 | CERAMIC CHIP 100PF | 5% 50V | IC103 | 8-729-903-10 | IC TRANSISTOR FMW1 | |
| C144 | 1-163-251-11 | CERAMIC CHIP 100PF | 5% 50V | IC121 | 8-752-384-47 | IC CXD2652AR | |
| C146 | 1-163-038-00 | CERAMIC CHIP 0.1uF | 25V | IC122 | 8-759-234-20 | IC TC7S08F | |
| C151 | 1-126-206-11 | ELECT CHIP 100uF | 20% 6.3V | IC123 | 8-759-242-70 | IC TC7WU04F | |
| C152 | 1-163-038-00 | CERAMIC CHIP 0.1uF | 25V | IC124 | 8-759-473-29 | IC MN41V4400SJ-08-T1 | |
| C153 | 1-164-232-11 | CERAMIC CHIP 0.01uF | 50V | | | | |
| C156 | 1-163-038-00 | CERAMIC CHIP 0.1uF | 25V | | | | |

| Ref. No. | Part No. | Description | Remark | Ref. No. | Part No. | Description | Remark |
|----------|--------------|-----------------------------|--------|----------|--------------|------------------------|--------|
| IC152 | 8-759-430-25 | IC BH6511FS-E2 | | R137 | 1-216-025-00 | METAL GLAZE 100 5% | 1/10W |
| IC171 | 8-759-428-58 | IC XL24C01AF-E2 | | R140 | 1-216-029-00 | METAL CHIP 150 5% | 1/10W |
| IC181 | 8-759-095-65 | IC TC74ACT540FS | | R141 | 1-216-295-00 | CONDUCTOR, CHIP (2012) | |
| IC192 | 8-759-426-95 | IC L88MS33T-TL | | R142 | 1-216-073-00 | METAL CHIP 10K 5% | 1/10W |
| | | < COIL > | | R143 | 1-216-073-00 | METAL CHIP 10K 5% | 1/10W |
| L101 | 1-414-235-11 | INDUCTOR, FERRITE BEAD | | R144 | 1-216-025-00 | METAL GLAZE 100 5% | 1/10W |
| L102 | 1-414-235-11 | INDUCTOR, FERRITE BEAD | | R146 | 1-216-037-00 | METAL CHIP 330 5% | 1/10W |
| L103 | 1-414-235-11 | INDUCTOR, FERRITE BEAD | | R147 | 1-216-025-00 | METAL GLAZE 100 5% | 1/10W |
| L105 | 1-414-235-11 | INDUCTOR, FERRITE BEAD | | R148 | 1-216-045-00 | METAL CHIP 680 5% | 1/10W |
| L106 | 1-414-235-11 | INDUCTOR, FERRITE BEAD | | R150 | 1-216-295-00 | CONDUCTOR, CHIP (2012) | |
| L121 | 1-414-235-11 | INDUCTOR, FERRITE BEAD | | R158 | 1-216-097-00 | METAL GLAZE 100K 5% | 1/10W |
| L122 | 1-414-235-11 | INDUCTOR, FERRITE BEAD | | R159 | 1-216-097-00 | METAL GLAZE 100K 5% | 1/10W |
| L151 | 1-412-622-51 | INDUCTOR 10uH | | R161 | 1-216-057-00 | METAL CHIP 2.2K 5% | 1/10W |
| L152 | 1-412-622-51 | INDUCTOR 10uH | | R162 | 1-216-057-00 | METAL CHIP 2.2K 5% | 1/10W |
| L153 | 1-412-039-51 | INDUCTOR CHIP 100uH | | R163 | 1-216-057-00 | METAL CHIP 2.2K 5% | 1/10W |
| L154 | 1-412-039-51 | INDUCTOR CHIP 100uH | | R164 | 1-216-045-00 | METAL CHIP 680 5% | 1/10W |
| L161 | 1-414-235-11 | INDUCTOR, FERRITE BEAD | | R165 | 1-216-097-00 | METAL GLAZE 100K 5% | 1/10W |
| L162 | 1-414-235-11 | INDUCTOR, FERRITE BEAD | | R166 | 1-220-149-11 | METAL GLAZE 2.2 10% | 1/2W |
| | | < TRANSISTOR > | | R167 | 1-216-065-00 | METAL CHIP 4.7K 5% | 1/10W |
| Q101 | 8-729-403-35 | TRANSISTOR UN5113 | | R169 | 1-219-724-11 | METAL CHIP 1 1% | 1/4W |
| Q102 | 8-729-026-53 | TRANSISTOR 2SA1576A-T106-QR | | R170 | 1-216-073-00 | METAL CHIP 10K 5% | 1/10W |
| Q103 | 8-729-014-04 | TRANSISTOR RN1307-TE85L | | R171 | 1-216-073-00 | METAL CHIP 10K 5% | 1/10W |
| Q104 | 8-729-014-04 | TRANSISTOR RN1307-TE85L | | R172 | 1-216-295-00 | CONDUCTOR, CHIP (2012) | |
| Q162 | 8-729-101-07 | TRANSISTOR 2SB798-DL | | R173 | 1-216-121-00 | METAL GLAZE 1M 5% | 1/10W |
| Q163 | 8-729-403-35 | TRANSISTOR UN5113 | | R175 | 1-216-061-00 | METAL CHIP 3.3K 5% | 1/10W |
| Q180 | 8-729-907-00 | TRANSISTOR DTC114EU | | R176 | 1-216-295-00 | CONDUCTOR, CHIP (2012) | |
| Q181 | 8-729-018-75 | TRANSISTOR 2SJ278MY | | R177 | 1-216-061-00 | METAL CHIP 3.3K 5% | 1/10W |
| Q182 | 8-729-017-65 | TRANSISTOR 2SK1764KY | | R178 | 1-216-295-00 | CONDUCTOR, CHIP (2012) | |
| | | < RESISTOR > | | R179 | 1-216-089-00 | METAL GLAZE 47K 5% | 1/10W |
| R101 | 1-216-295-00 | CONDUCTOR, CHIP (2012) | | R180 | 1-216-073-00 | METAL CHIP 10K 5% | 1/10W |
| R103 | 1-216-049-11 | METAL GLAZE 1K 5% | 1/10W | R181 | 1-216-073-00 | METAL CHIP 10K 5% | 1/10W |
| R104 | 1-216-073-00 | METAL CHIP 10K 5% | 1/10W | R182 | 1-216-089-00 | METAL GLAZE 47K 5% | 1/10W |
| R105 | 1-216-065-00 | METAL CHIP 4.7K 5% | 1/10W | R183 | 1-216-089-00 | METAL GLAZE 47K 5% | 1/10W |
| R106 | 1-216-133-00 | METAL CHIP 3.3M 5% | 1/10W | R184 | 1-216-073-00 | METAL CHIP 10K 5% | 1/10W |
| R107 | 1-216-113-00 | METAL CHIP 470K 5% | 1/10W | R185 | 1-216-073-00 | METAL CHIP 10K 5% | 1/10W |
| R109 | 1-216-295-00 | CONDUCTOR, CHIP (2012) | | R186 | 1-216-296-00 | CONDUCTOR, CHIP (3216) | |
| R110 | 1-216-073-00 | METAL CHIP 10K 5% | 1/10W | R187 | 1-216-296-00 | CONDUCTOR, CHIP (3216) | |
| R111 | 1-216-295-00 | CONDUCTOR, CHIP (2012) | | R188 | 1-216-073-00 | METAL CHIP 10K 5% | 1/10W |
| R112 | 1-216-089-00 | METAL GLAZE 47K 5% | 1/10W | R189 | 1-216-073-00 | METAL CHIP 10K 5% | 1/10W |
| R113 | 1-216-049-11 | METAL GLAZE 1K 5% | 1/10W | R190 | 1-216-073-00 | METAL CHIP 10K 5% | 1/10W |
| R115 | 1-216-049-11 | METAL GLAZE 1K 5% | 1/10W | R195 | 1-216-295-00 | CONDUCTOR, CHIP (2012) | |
| R117 | 1-216-113-00 | METAL CHIP 470K 5% | 1/10W | R196 | 1-216-295-00 | CONDUCTOR, CHIP (2012) | |
| R120 | 1-216-025-00 | METAL GLAZE 100 5% | 1/10W | R198 | 1-216-295-00 | CONDUCTOR, CHIP (2012) | |
| R121 | 1-216-097-00 | METAL GLAZE 100K 5% | 1/10W | R199 | 1-216-295-00 | CONDUCTOR, CHIP (2012) | |
| R123 | 1-216-033-00 | METAL CHIP 220 5% | 1/10W | R200 | 1-216-295-00 | CONDUCTOR, CHIP (2012) | |
| R124 | 1-216-025-00 | METAL GLAZE 100 5% | 1/10W | R201 | 1-216-295-00 | CONDUCTOR, CHIP (2012) | |
| R125 | 1-216-025-00 | METAL GLAZE 100 5% | 1/10W | R202 | 1-216-295-00 | CONDUCTOR, CHIP (2012) | |
| R127 | 1-216-025-00 | METAL GLAZE 100 5% | 1/10W | R502 | 1-216-295-00 | CONDUCTOR, CHIP (2012) | |
| R131 | 1-216-073-00 | METAL CHIP 10K 5% | 1/10W | R504 | 1-216-295-00 | CONDUCTOR, CHIP (2012) | |
| R132 | 1-216-097-00 | METAL GLAZE 100K 5% | 1/10W | ***** | | | |
| R133 | 1-216-117-00 | METAL CHIP 680K 5% | 1/10W | | | | |
| R134 | 1-216-049-11 | METAL GLAZE 1K 5% | 1/10W | | | | |
| R135 | 1-216-061-00 | METAL CHIP 3.3K 5% | 1/10W | | | | |
| R136 | 1-216-049-11 | METAL GLAZE 1K 5% | 1/10W | | | | |

MAIN

| Ref. No. | Part No. | Description | Remark | Ref. No. | Part No. | Description | Remark |
|----------|--------------|--|------------------|----------|--------------|-------------|---------------------|
| * | A-4699-641-A | MAIN BOARD, COMPLETE (JE) ***** | | C223 | 1-164-159-11 | CERAMIC | 0.1uF 50V |
| | | | | C231 | 1-162-306-11 | CERAMIC | 0.01uF 20% 16V |
| * | A-4699-714-A | MAIN BOARD, COMPLETE (AEP,UK) ***** | | C234 | 1-126-933-11 | ELECT | 100uF 20% 10V |
| | | | | C235 | 1-162-207-31 | CERAMIC | 22PF 5% 50V |
| | | | | C236 | 1-162-203-31 | CERAMIC | 15PF 5% 50V |
| * | A-4699-717-A | MAIN BOARD, COMPLETE (US,CND) ***** | | C243 | 1-162-306-11 | CERAMIC | 0.01uF 20% 16V |
| | | | | C254 | 1-126-923-11 | ELECT | 220uF 20% 10V |
| * | A-4699-720-A | MAIN BOARD, COMPLETE (SP) ***** | | C255 | 1-162-600-11 | CERAMIC | 0.0047uF 20% 16V |
| | | | | C256 | 1-162-600-11 | CERAMIC | 0.0047uF 20% 16V |
| | | | | C311 | 1-162-306-11 | CERAMIC | 0.01uF 20% 16V |
| * | A-4699-723-A | MAIN BOARD, COMPLETE (HK) ***** | | C312 | 1-162-306-11 | CERAMIC | 0.01uF 20% 16V |
| | | | | C332 | 1-128-576-11 | ELECT | 100uF 20% 63V |
| | 7-685-872-09 | SCREW +BVTT 3X8 (S) | | C333 | 1-126-950-11 | ELECT | 330uF 20% 35V |
| | | < BATTERY > | | C334 | 1-164-159-11 | CERAMIC | 0.1uF 50V |
| BA501 | 1-528-739-11 | BATTERY, LITHIUM (VL2020 3V) | | C340 | 1-162-306-11 | CERAMIC | 0.01uF 20% 16V |
| | | < CAPACITOR > | | C342 | 1-162-306-11 | CERAMIC | 0.01uF 20% 16V (JE) |
| | | | | C343 | 1-162-306-11 | CERAMIC | 0.01uF 20% 16V |
| C001 | 1-117-850-11 | ELECT | 15000uF 20% 16V | C344 | 1-162-306-11 | CERAMIC | 0.01uF 20% 16V |
| C002 | 1-126-935-11 | ELECT | 470uF 20% 16V | C346 | 1-162-306-11 | CERAMIC | 0.01uF 20% 16V (JE) |
| C006 | 1-126-935-11 | ELECT | 470uF 20% 16V | C347 | 1-162-306-11 | CERAMIC | 0.01uF 20% 16V |
| C013 | 1-164-159-11 | CERAMIC | 0.1uF 50V | C348 | 1-162-306-11 | CERAMIC | 0.01uF 20% 16V |
| C014 | 1-164-159-11 | CERAMIC | 0.1uF 50V | C350 | 1-126-933-11 | ELECT | 100uF 20% 10V |
| C101 | 1-128-551-11 | ELECT | 22uF 20% 25V | C351 | 1-126-933-11 | ELECT | 100uF 20% 10V |
| C103 | 1-128-551-11 | ELECT | 22uF 20% 25V | C372 | 1-164-159-11 | CERAMIC | 0.1uF 50V |
| C106 | 1-162-306-11 | CERAMIC | 0.01uF 20% 16V | C391 | 1-162-306-11 | CERAMIC | 0.01uF 20% 16V |
| C107 | 1-162-282-31 | CERAMIC | 100PF 10% 50V | C393 | 1-162-306-11 | CERAMIC | 0.01uF 20% 16V |
| C108 | 1-162-282-31 | CERAMIC | 100PF 10% 50V | C397 | 1-126-925-11 | ELECT | 470uF 20% 10V |
| C109 | 1-126-933-11 | ELECT | 100uF 20% 10V | C400 | 1-126-925-11 | ELECT | 470uF 20% 10V |
| C110 | 1-162-294-31 | CERAMIC | 1000PF 10% 50V | C409 | 1-164-159-11 | CERAMIC | 0.1uF 50V |
| C111 | 1-162-600-11 | CERAMIC | 0.0047uF 20% 16V | C410 | 1-162-294-31 | CERAMIC | 0.001uF 10% 50V |
| C113 | 1-162-600-11 | CERAMIC | 0.0047uF 20% 16V | C411 | 1-162-294-31 | CERAMIC | 0.001uF 10% 50V |
| C114 | 1-162-294-31 | CERAMIC | 1000PF 10% 50V | C413 | 1-162-306-11 | CERAMIC | 0.01uF 20% 16V |
| C115 | 1-126-933-11 | ELECT | 100uF 20% 10V | C420 | 1-162-294-31 | CERAMIC | 0.001uF 10% 50V |
| C116 | 1-162-282-31 | CERAMIC | 100PF 10% 50V | C422 | 1-162-306-11 | CERAMIC | 0.01uF 20% 16V |
| C117 | 1-162-282-31 | CERAMIC | 100PF 10% 50V | C424 | 1-162-203-31 | CERAMIC | 15PF 5% 50V |
| C118 | 1-162-306-11 | CERAMIC | 0.01uF 20% 16V | C425 | 1-162-203-31 | CERAMIC | 15PF 5% 50V |
| C121 | 1-126-964-11 | ELECT | 10uF 20% 50V | C432 | 1-162-282-31 | CERAMIC | 100PF 10% 50V |
| C125 | 1-126-964-11 | ELECT | 10uF 20% 50V | C433 | 1-162-282-31 | CERAMIC | 100PF 10% 50V |
| C128 | 1-126-933-11 | ELECT | 100uF 20% 10V | C448 | 1-162-306-11 | CERAMIC | 0.01uF 20% 16V |
| C129 | 1-126-964-11 | ELECT | 10uF 20% 50V | C467 | 1-162-282-31 | CERAMIC | 100PF 10% 50V |
| C130 | 1-126-964-11 | ELECT | 10uF 20% 50V | C468 | 1-162-282-31 | CERAMIC | 100PF 10% 50V |
| C134 | 1-126-964-11 | ELECT | 10uF 20% 50V | C490 | 1-162-282-31 | CERAMIC | 100PF 10% 50V |
| C135 | 1-126-964-11 | ELECT | 10uF 20% 50V | C500 | 1-162-306-11 | CERAMIC | 0.01uF 20% 16V |
| C141 | 1-162-286-31 | CERAMIC | 220PF 10% 50V | C501 | 1-126-916-11 | ELECT | 1000uF 20% 6.3V |
| C142 | 1-162-286-31 | CERAMIC | 220PF 10% 50V | C503 | 1-126-964-11 | ELECT | 10uF 20% 50V |
| C151 | 1-162-290-31 | CERAMIC | 470PF 10% 50V | C504 | 1-126-923-11 | ELECT | 220uF 20% 10V |
| C152 | 1-162-290-31 | CERAMIC | 470PF 10% 50V | C505 | 1-126-926-11 | ELECT | 1000uF 20% 10V |
| C161 | 1-162-290-31 | CERAMIC | 470PF 10% 50V | C506 | 1-164-159-11 | CERAMIC | 0.1uF 50V |
| C162 | 1-162-290-31 | CERAMIC | 470PF 10% 50V | C508 | 1-126-963-11 | ELECT | 4.7uF 20% 50V |
| C200 | 1-126-926-11 | ELECT | 1000uF 20% 10V | C511 | 1-126-962-11 | ELECT | 3.3uF 20% 50V |
| C201 | 1-162-600-11 | CERAMIC | 0.0047uF 20% 16V | C513 | 1-126-964-11 | ELECT | 10uF 20% 50V |
| C202 | 1-162-600-11 | CERAMIC | 0.0047uF 20% 16V | C522 | 1-162-306-11 | CERAMIC | 0.01uF 20% 16V |
| C203 | 1-162-306-11 | CERAMIC | 0.01uF 20% 16V | C523 | 1-126-968-11 | ELECT | 100uF 20% 50V |
| C205 | 1-162-306-11 | CERAMIC | 0.01uF 20% 16V | C541 | 1-126-923-11 | ELECT | 220uF 20% 10V |
| C206 | 1-164-159-11 | CERAMIC | 0.1uF 50V | C542 | 1-162-306-11 | CERAMIC | 0.01uF 20% 16V |
| | | | | C551 | 1-126-923-11 | ELECT | 220uF 20% 10V |
| | | | | C552 | 1-162-306-11 | CERAMIC | 0.01uF 20% 16V |

| Ref. No. | Part No. | Description | Remark | Ref. No. | Part No. | Description | Remark | |
|----------|--------------|--------------------------------|-------------------------------|----------|----------|--------------|---------------------------------------|--------------|
| C605 | 1-164-159-11 | CERAMIC | 0.1uF | 50V | IC353 | 8-749-012-70 | IC GP1F38R (DIGITAL IN OPTICAL 2)(JE) | |
| C606 | 1-164-159-11 | CERAMIC | 0.1uF | 50V | IC353 | 8-749-012-70 | IC GP1F38R (DIGITAL IN OPTICAL 1) | |
| C801 | 1-162-306-11 | CERAMIC | 0.01uF | 20% | 16V | | (EXCEPT JE) | |
| C802 | 1-164-159-11 | CERAMIC | 0.1uF | 50V | IC354 | 8-749-012-70 | IC GP1F38R (DIGITAL IN OPTICAL 1)(JE) | |
| C803 | 1-162-306-11 | CERAMIC | 0.01uF | 20% | 16V | | | |
| C804 | 1-164-159-11 | CERAMIC | 0.1uF | 50V | IC401 | 8-759-476-18 | IC RU8X11AMF-0115 | |
| C805 | 1-162-306-11 | CERAMIC | 0.01uF | 20% | 16V | IC501 | 8-759-426-96 | IC LA5620 |
| C806 | 1-164-159-11 | CERAMIC | 0.1uF | 50V | IC541 | 8-759-708-06 | IC NJM78L06A | |
| C807 | 1-162-306-11 | CERAMIC | 0.01uF | 20% | 16V | IC551 | 8-759-700-69 | IC NJM79L12A |
| C808 | 1-162-306-11 | CERAMIC | 0.01uF | 20% | 16V | | < JACK > | |
| C5013 | 1-164-159-11 | CERAMIC | 0.1uF | 50V | J101 | 1-770-720-11 | JACK, PIN 4P (LINE (ANALOG)) | |
| | | < CONNECTOR > | | | | | < JUMPER WIRE > | |
| CN302 | 1-564-321-00 | PIN, CONNECTOR 2P (AEP,UK) | | | JW045 | 1-412-473-21 | INDUCTOR | |
| * CN302 | 1-564-687-11 | PIN, CONNECTOR 3P (SP,JE) | | | | | < COIL > | |
| CN401 | 1-770-167-11 | CONNECTOR, FFC/FPC 19P | | | | | | |
| CN402 | 1-770-657-11 | CONNECTOR, FFC/FPC 29P | | | | | | |
| CN700 | 1-770-651-11 | CONNECTOR, FFC/FPC 23P | | | L225 | 1-412-473-21 | INDUCTOR | |
| * CN800 | 1-564-708-11 | PIN, CONNECTOR (SMALL TYPE) 6P | | | L305 | 1-410-470-11 | INDUCTOR 10uH | |
| | | < DIODE > | | | L306 | 1-410-470-11 | INDUCTOR 10uH (JE) | |
| D001 | 8-719-024-99 | DIODE | 11ES2-NTA2B (EXCEPT JE) | | L801 | 1-408-397-00 | INDUCTOR 1uH | |
| D001 | 8-719-200-82 | DIODE | 11ES2 (JE) | | L802 | 1-412-473-21 | INDUCTOR | |
| D002 | 8-719-024-99 | DIODE | 11ES2-NTA2B (EXCEPT JE) | | L803 | 1-412-473-21 | INDUCTOR | |
| D002 | 8-719-200-82 | DIODE | 11ES2 (JE) | | L804 | 1-412-473-21 | INDUCTOR | |
| D003 | 8-719-024-99 | DIODE | 11ES2-NTA2B (EXCEPT JE) | | L805 | 1-410-510-11 | INDUCTOR 12uH | |
| | | | | | L806 | 1-410-466-41 | INDUCTOR 4.7uH | |
| D003 | 8-719-200-82 | DIODE | 11ES2 (JE) | | L807 | 1-410-466-41 | INDUCTOR 4.7uH | |
| D004 | 8-719-024-99 | DIODE | 11ES2-NTA2B (EXCEPT JE) | | L808 | 1-410-513-11 | INDUCTOR 22uH | |
| D004 | 8-719-200-82 | DIODE | 11ES2 (JE) | | | | < TRANSISTOR > | |
| D005 | 8-719-987-63 | DIODE | 1N4148M | | Q102 | 8-729-141-30 | TRANSISTOR 2SC3623A-LK | |
| D006 | 8-719-987-63 | DIODE | 1N4148M | | Q202 | 8-729-141-30 | TRANSISTOR 2SC3623A-LK | |
| D009 | 8-719-024-99 | DIODE | 11ES2-NTA2B (EXCEPT JE) | | Q203 | 8-729-194-57 | TRANSISTOR 2SC945-P | |
| D009 | 8-719-200-82 | DIODE | 11ES2 (JE) | | Q306 | 8-729-422-57 | TRANSISTOR UN4111 | |
| D017 | 8-719-024-99 | DIODE | 11ES2-NTA2B (EXCEPT JE) | | Q311 | 8-729-119-76 | TRANSISTOR 2SA1175-HFE | |
| D017 | 8-719-200-82 | DIODE | 11ES2 (JE) | | Q312 | 8-729-900-80 | TRANSISTOR DTC114ES | |
| D018 | 8-719-024-99 | DIODE | 11ES2-NTA2B (EXCEPT JE) | | Q501 | 8-729-900-80 | TRANSISTOR DTC114ES | |
| D018 | 8-719-200-82 | DIODE | 11ES2 (JE) | | Q502 | 8-729-422-57 | TRANSISTOR UN4111 | |
| D311 | 8-719-987-63 | DIODE | 1N4148M | | | | < RESISTOR > | |
| D350 | 8-719-933-36 | DIODE | HZS6B1L | | R107 | 1-247-862-11 | CARBON 20K 5% 1/4W | |
| D531 | 8-719-014-66 | DIODE | UZP-5.6B | | R108 | 1-247-862-11 | CARBON 20K 5% 1/4W | |
| D541 | 8-719-987-63 | DIODE | 1N4148M | | R109 | 1-249-429-11 | CARBON 10K 5% 1/4W | |
| D542 | 8-719-987-63 | DIODE | 1N4148M | | R110 | 1-249-421-11 | CARBON 2.2K 5% 1/4W F | |
| | | < GROUND PLATE > | | | R111 | 1-249-417-11 | CARBON 1K 5% 1/4W F | |
| EP301 | 1-537-771-21 | TERMINAL BOARD, GROUND (JE) | | | R113 | 1-249-417-11 | CARBON 1K 5% 1/4W F | |
| EP301 | 1-537-738-21 | TERMINAL, EARTH (EXCEPT JE) | | | R114 | 1-249-421-11 | CARBON 2.2K 5% 1/4W F | |
| EP302 | 1-537-771-21 | TERMINAL BOARD, GROUND (JE) | | | R115 | 1-249-429-11 | CARBON 10K 5% 1/4W | |
| EP302 | 1-537-738-21 | TERMINAL, EARTH (EXCEPT JE) | | | R116 | 1-247-862-11 | CARBON 20K 5% 1/4W | |
| | | < IC > | | | R117 | 1-247-862-11 | CARBON 20K 5% 1/4W | |
| IC101 | 8-759-434-43 | IC | CXA8065S | | R121 | 1-249-441-11 | CARBON 100K 5% 1/4W | |
| IC201 | 8-759-426-99 | IC | CXD8607N | | R123 | 1-249-429-11 | CARBON 10K 5% 1/4W | |
| IC308 | 8-759-634-50 | IC | M5218AL | | R124 | 1-249-429-11 | CARBON 10K 5% 1/4W | |
| IC310 | 8-759-633-42 | IC | M5293L | | R125 | 1-249-433-11 | CARBON 22K 5% 1/4W | |
| IC311 | 8-759-822-09 | IC | LB1641 | | R126 | 1-249-438-11 | CARBON 56K 5% 1/4W | |
| IC314 | 8-759-917-18 | IC | SN74HCU04AN | | R127 | 1-249-429-11 | CARBON 10K 5% 1/4W | |
| IC315 | 8-759-916-12 | IC | SN74HC00AN | | R128 | 1-249-429-11 | CARBON 10K 5% 1/4W | |
| IC352 | 8-749-012-69 | IC | GP1F38T (DIGITAL OUT OPTICAL) | | R129 | 1-249-438-11 | CARBON 56K 5% 1/4W | |
| | | | | | R130 | 1-249-433-11 | CARBON 22K 5% 1/4W | |

MAIN

| Ref. No. | Part No. | Description | | | Remark | Ref. No. | Part No. | Description | | | Remark |
|----------|--------------|-------------|------|----|--------|----------|--------------|-------------|------|----|---------------------|
| R131 | 1-249-429-11 | CARBON | 10K | 5% | 1/4W | R356 | 1-249-441-11 | CARBON | 100K | 5% | 1/4W |
| R132 | 1-249-429-11 | CARBON | 10K | 5% | 1/4W | R365 | 1-249-441-11 | CARBON | 100K | 5% | 1/4W |
| R134 | 1-249-441-11 | CARBON | 100K | 5% | 1/4W | R369 | 1-249-441-11 | CARBON | 100K | 5% | 1/4W |
| R141 | 1-249-427-11 | CARBON | 6.8K | 5% | 1/4W F | R370 | 1-249-441-11 | CARBON | 100K | 5% | 1/4W |
| R142 | 1-249-427-11 | CARBON | 6.8K | 5% | 1/4W F | R376 | 1-249-441-11 | CARBON | 100K | 5% | 1/4W |
| R143 | 1-249-429-11 | CARBON | 10K | 5% | 1/4W | R377 | 1-249-441-11 | CARBON | 100K | 5% | 1/4W |
| R144 | 1-249-429-11 | CARBON | 10K | 5% | 1/4W | R386 | 1-249-441-11 | CARBON | 100K | 5% | 1/4W |
| R145 | 1-249-427-11 | CARBON | 6.8K | 5% | 1/4W F | R387 | 1-249-441-11 | CARBON | 100K | 5% | 1/4W |
| R146 | 1-249-427-11 | CARBON | 6.8K | 5% | 1/4W F | R388 | 1-249-441-11 | CARBON | 100K | 5% | 1/4W |
| R147 | 1-249-429-11 | CARBON | 10K | 5% | 1/4W | R389 | 1-249-441-11 | CARBON | 100K | 5% | 1/4W |
| R148 | 1-249-429-11 | CARBON | 10K | 5% | 1/4W | R390 | 1-249-441-11 | CARBON | 100K | 5% | 1/4W |
| R150 | 1-249-429-11 | CARBON | 10K | 5% | 1/4W | R397 | 1-249-441-11 | CARBON | 100K | 5% | 1/4W |
| R151 | 1-249-437-11 | CARBON | 47K | 5% | 1/4W | R403 | 1-249-429-11 | CARBON | 10K | 5% | 1/4W |
| R152 | 1-249-411-11 | CARBON | 330 | 5% | 1/4W | R404 | 1-249-429-11 | CARBON | 10K | 5% | 1/4W |
| R153 | 1-249-441-11 | CARBON | 100K | 5% | 1/4W | R405 | 1-249-429-11 | CARBON | 10K | 5% | 1/4W |
| R160 | 1-249-429-11 | CARBON | 10K | 5% | 1/4W | R406 | 1-249-429-11 | CARBON | 10K | 5% | 1/4W |
| R161 | 1-249-437-11 | CARBON | 47K | 5% | 1/4W | R407 | 1-249-429-11 | CARBON | 10K | 5% | 1/4W |
| R162 | 1-249-411-11 | CARBON | 330 | 5% | 1/4W | R408 | 1-249-429-11 | CARBON | 10K | 5% | 1/4W |
| R163 | 1-249-441-11 | CARBON | 100K | 5% | 1/4W | R414 | 1-249-429-11 | CARBON | 10K | 5% | 1/4W |
| R198 | 1-249-429-11 | CARBON | 10K | 5% | 1/4W | R427 | 1-247-903-00 | CARBON | 1M | 5% | 1/4W |
| R199 | 1-249-415-11 | CARBON | 680 | 5% | 1/4W | R435 | 1-249-441-11 | CARBON | 100K | 5% | 1/4W |
| R201 | 1-249-401-11 | CARBON | 47 | 5% | 1/4W F | R436 | 1-249-429-11 | CARBON | 10K | 5% | 1/4W |
| R202 | 1-249-401-11 | CARBON | 47 | 5% | 1/4W F | R437 | 1-249-441-11 | CARBON | 100K | 5% | 1/4W |
| R203 | 1-249-412-11 | CARBON | 390 | 5% | 1/4W | R438 | 1-249-441-11 | CARBON | 100K | 5% | 1/4W |
| R204 | 1-247-836-11 | CARBON | 1.6K | 5% | 1/4W | R441 | 1-249-441-11 | CARBON | 100K | 5% | 1/4W |
| R206 | 1-249-401-11 | CARBON | 47 | 5% | 1/4W F | R442 | 1-249-441-11 | CARBON | 100K | 5% | 1/4W |
| R215 | 1-249-401-11 | CARBON | 47 | 5% | 1/4W F | R450 | 1-249-429-11 | CARBON | 10K | 5% | 1/4W |
| R225 | 1-249-409-11 | CARBON | 220 | 5% | 1/4W | R451 | 1-249-429-11 | CARBON | 10K | 5% | 1/4W |
| R235 | 1-249-411-11 | CARBON | 330 | 5% | 1/4W | R459 | 1-249-441-11 | CARBON | 100K | 5% | 1/4W |
| R236 | 1-247-903-00 | CARBON | 1M | 5% | 1/4W | R461 | 1-249-441-11 | CARBON | 100K | 5% | 1/4W |
| R252 | 1-249-401-11 | CARBON | 47 | 5% | 1/4W F | R462 | 1-249-441-11 | CARBON | 100K | 5% | 1/4W (JE) |
| R253 | 1-249-401-11 | CARBON | 47 | 5% | 1/4W F | | | | | | (EXCEPT JE) |
| R255 | 1-249-401-11 | CARBON | 47 | 5% | 1/4W F | R463 | 1-249-441-11 | CARBON | 100K | 5% | 1/4W (EXCEPT JE) |
| R256 | 1-249-401-11 | CARBON | 47 | 5% | 1/4W F | | | | | | (JE) |
| R298 | 1-249-429-11 | CARBON | 10K | 5% | 1/4W | R464 | 1-249-441-11 | CARBON | 100K | 5% | 1/4W |
| R299 | 1-249-415-11 | CARBON | 680 | 5% | 1/4W | | | | | | (JE) |
| R311 | 1-249-429-11 | CARBON | 10K | 5% | 1/4W | R467 | 1-249-429-11 | CARBON | 10K | 5% | 1/4W |
| R312 | 1-249-429-11 | CARBON | 10K | 5% | 1/4W | R468 | 1-249-429-11 | CARBON | 10K | 5% | 1/4W |
| R313 | 1-249-429-11 | CARBON | 10K | 5% | 1/4W | R469 | 1-249-429-11 | CARBON | 10K | 5% | 1/4W |
| R316 | 1-249-409-11 | CARBON | 220 | 5% | 1/4W F | | | | | | |
| R318 | 1-249-429-11 | CARBON | 10K | 5% | 1/4W | R481 | 1-249-437-11 | CARBON | 47K | 5% | 1/4W |
| R322 | 1-249-401-11 | CARBON | 47 | 5% | 1/4W F | R483 | 1-249-437-11 | CARBON | 47K | 5% | 1/4W |
| R323 | 1-249-401-11 | CARBON | 47 | 5% | 1/4W F | R490 | 1-249-429-11 | CARBON | 10K | 5% | 1/4W |
| R324 | 1-249-401-11 | CARBON | 47 | 5% | 1/4W F | R494 | 1-249-441-11 | CARBON | 100K | 5% | 1/4W |
| R325 | 1-249-401-11 | CARBON | 47 | 5% | 1/4W F | R496 | 1-249-429-11 | CARBON | 10K | 5% | 1/4W |
| R340 | 1-247-895-00 | CARBON | 470K | 5% | 1/4W | R497 | 1-249-429-11 | CARBON | 10K | 5% | 1/4W |
| R343 | 1-247-895-00 | CARBON | 470K | 5% | 1/4W | R498 | 1-249-429-11 | CARBON | 10K | 5% | 1/4W |
| R344 | 1-249-437-11 | CARBON | 47K | 5% | 1/4W | R509 | 1-249-429-11 | CARBON | 10K | 5% | 1/4W |
| R345 | 1-247-895-00 | CARBON | 470K | 5% | 1/4W | R513 | 1-249-429-11 | CARBON | 10K | 5% | 1/4W |
| R346 | 1-247-895-00 | CARBON | 470K | 5% | 1/4W | R514 | 1-249-429-11 | CARBON | 10K | 5% | 1/4W |
| R347 | 1-249-441-11 | CARBON | 100K | 5% | 1/4W | | | | | | |
| R348 | 1-249-437-11 | CARBON | 47K | 5% | 1/4W | R515 | 1-249-417-11 | CARBON | 1K | 5% | 1/4W F |
| R350 | 1-249-417-11 | CARBON | 1K | 5% | 1/4W F | R516 | 1-247-807-31 | CARBON | 100 | 5% | 1/4W |
| R352 | 1-249-441-11 | CARBON | 100K | 5% | 1/4W | R533 | 1-249-441-11 | CARBON | 100K | 5% | 1/4W |
| R354 | 1-247-807-31 | CARBON | 100 | 5% | 1/4W | R801 | 1-249-417-11 | CARBON | 1K | 5% | 1/4W |
| R355 | 1-249-441-11 | CARBON | 100K | 5% | 1/4W | R802 | 1-247-807-11 | CARBON | 100 | 5% | 1/4W |

| Ref. No. | Part No. | Description | Remark | Ref. No. | Part No. | Description | Remark |
|----------|--------------|---|--------|----------|--------------|--|--------|
| | | < SWITCH > | | | | < COIL > | |
| △S301 | 1-572-675-11 | SWITCH, POWER VOLTAGE CHANGE (VOLTAGE SELECTOR)(SP,JE) | | L701 | 1-414-142-11 | INDUCTOR 1uH | |
| △S301 | 1-762-764-11 | SWITCH, POWER (MAIN POWER)(AEP,UK) | | L702 | 1-414-142-11 | INDUCTOR 1uH | |
| | | < VIBRATOR > | | L703 | 1-414-142-11 | INDUCTOR 1uH | |
| X201 | 1-579-314-11 | VIBRATOR, CRYSTAL (22MHz) | | | | < TRANSISTOR > | |
| X401 | 1-567-098-61 | VIBRATOR, CRYSTAL (32.768kHz) | | Q701 | 8-729-119-76 | TRANSISTOR 2SA1175-HFE | |
| X402 | 1-767-157-21 | VIBRATOR, CERAMIC (12MHz) | | Q781 | 8-729-900-80 | TRANSISTOR DTC114ES | |
| ***** | | | | | | < RESISTOR > | |
| * | A-4699-645-A | PANEL BOARD, COMPLETE (JE) ***** | | R701 | 1-249-429-11 | CARBON 10K 5% | 1/4W |
| * | A-4699-715-A | PANEL BOARD, COMPLETE (AEP,UK) ***** | | R702 | 1-249-429-11 | CARBON 10K 5% | 1/4W |
| * | A-4699-718-A | PANEL BOARD, COMPLETE (US,CND) ***** | | R705 | 1-247-842-11 | CARBON 3K 5% | 1/4W |
| * | A-4699-721-A | PANEL BOARD, COMPLETE (SP) ***** | | R706 | 1-249-421-11 | CARBON 2.2K 5% | 1/4W F |
| * | A-4699-724-A | PANEL BOARD, COMPLETE (HK) ***** | | R707 | 1-249-429-11 | CARBON 10K 5% | 1/4W |
| | 2-389-320-01 | CUSHION | | R708 | 1-249-429-11 | CARBON 10K 5% | 1/4W |
| * | 4-983-462-01 | HOLDER (FL) | | R709 | 1-249-429-11 | CARBON 10K 5% | 1/4W |
| | | < CAPACITOR > | | R712 | 1-247-807-31 | CARBON 100 5% | 1/4W |
| C703 | 1-162-294-31 | CERAMIC 0.001uF 10% 50V | | R713 | 1-249-393-11 | CARBON 10 5% | 1/4W F |
| C704 | 1-162-294-31 | CERAMIC 0.001uF 10% 50V | | R714 | 1-249-393-11 | CARBON 10 5% | 1/4W F |
| C705 | 1-162-294-31 | CERAMIC 0.001uF 10% 50V | | R715 | 1-247-843-11 | CARBON 3.3K 5% | 1/4W |
| C706 | 1-162-294-31 | CERAMIC 0.001uF 10% 50V | | R716 | 1-249-425-11 | CARBON 4.7K 5% | 1/4W F |
| C707 | 1-162-294-31 | CERAMIC 0.001uF 10% 50V | | R717 | 1-249-429-11 | CARBON 10K 5% | 1/4W |
| C708 | 1-162-306-11 | CERAMIC 0.01uF 20% 16V | | R718 | 1-249-435-11 | CARBON 33K 5% | 1/4W |
| C709 | 1-124-589-11 | ELECT 47uF 20% 16V | | R721 | 1-247-807-31 | CARBON 100 5% | 1/4W |
| C710 | 1-162-215-31 | CERAMIC 47PF 5% 50V | | R722 | 1-247-807-31 | CARBON 100 5% | 1/4W |
| C713 | 1-162-282-31 | CERAMIC 100PF 10% 50V | | R723 | 1-247-807-31 | CARBON 100 5% | 1/4W |
| C714 | 1-162-282-31 | CERAMIC 100PF 10% 50V | | R724 | 1-247-807-31 | CARBON 100 5% | 1/4W |
| C717 | 1-128-057-11 | ELECT 330uF 20% 6.3V | | R741 | 1-249-401-11 | CARBON 47 5% | 1/4W F |
| C718 | 1-162-306-11 | CERAMIC 0.01uF 20% 16V | | R752 | 1-249-421-11 | CARBON 2.2K 5% | 1/4W F |
| C721 | 1-162-306-11 | CERAMIC 0.01uF 20% 16V | | R755 | 1-249-432-11 | CARBON 18K 5% | 1/4W |
| | | < CONNECTOR > | | R756 | 1-249-435-11 | CARBON 33K 5% | 1/4W |
| CN701 | 1-778-688-11 | CONNECTOR, FFC/FPC 23P | | R762 | 1-249-421-11 | CARBON 2.2K 5% | 1/4W F |
| | | < DIODE > | | R763 | 1-247-843-11 | CARBON 3.3K 5% | 1/4W |
| D701 | 8-719-046-44 | DIODE SEL5221S (POWER) | | R764 | 1-249-425-11 | CARBON 4.7K 5% | 1/4W F |
| | | < FLUORESCENT INDICATOR > | | R772 | 1-249-421-11 | CARBON 2.2K 5% | 1/4W F |
| FL701 | 1-517-575-11 | INDICATOR TUBE, FLUORESCENT | | R773 | 1-247-843-11 | CARBON 3.3K 5% | 1/4W |
| | | < IC > | | R774 | 1-249-425-11 | CARBON 4.7K 5% | 1/4W F |
| IC701 | 8-759-426-98 | IC MSM9202-02GS-K | | R775 | 1-249-429-11 | CARBON 10K 5% | 1/4W |
| IC702 | 8-749-013-92 | IC GP1UC7X | | R776 | 1-249-435-11 | CARBON 33K 5% | 1/4W |
| | | < JACK > | | R777 | 1-249-429-11 | CARBON 10K 5% | 1/4W |
| J701 | 1-750-925-11 | JACK (SMALL TYPE)(PHONES) | | R781 | 1-249-429-11 | CARBON 10K 5% | 1/4W |
| | | | | R791 | 1-247-807-31 | CARBON 100 5% | 1/4W |
| | | | | R792 | 1-249-429-11 | CARBON 10K 5% | 1/4W |
| | | | | R793 | 1-249-429-11 | CARBON 10K 5% | 1/4W |
| | | | | | | < VARIABLE RESISTOR > | |
| | | | | RV701 | 1-223-535-11 | RES, VAR, CARBON 1K/1K (PHONES LEVEL) | |
| | | | | RV702 | 1-223-762-11 | RES, VAR, CARBON 20K/20K (REC LEVEL) | |
| | | | | | | < SWITCH > | |
| | | | | S701 | 1-475-139-11 | ENCODER, ROTARY (AMS, ◀◀ PUSH ENTER ▶▶) | |
| | | | | S702 | 1-762-425-11 | SWITCH, SLIDE (REC MODE)(EXCEPT JE) | |
| | | | | S702 | 1-771-047-11 | SWITCH, SLIDE (REC MODE)(JE) | |
| | | | | S703 | 1-572-347-21 | SWITCH, SLIDE (INPUT) | |
| | | | | S704 | 1-572-378-11 | SWITCH, SLIDE (TIMER) | |

| | |
|--|--|
| The components identified by mark △ or dotted line with mark △ are critical for safety. Replace only with part number specified. | Les composants identifiés par une marque △ sont critiques pour la sécurité. Ne les remplacer que par une pièce portant le numéro spécifié. |
|--|--|

PANEL **SW** **TRANSFORMER**

| Ref. No. | Part No. | Description | Remark |
|----------|--------------|--|--------|
| S751 | 1-762-875-21 | SWITCH, TACTILE (EDIT/NO) | |
| S752 | 1-762-875-21 | SWITCH, TACTILE (YES) | |
| S756 | 1-762-875-21 | SWITCH, TACTILE (DISPLAY/CHAR) | |
| S761 | 1-762-875-21 | SWITCH, TACTILE (PLAY MODE) | |
| S762 | 1-762-875-21 | SWITCH, TACTILE (REPEAT) | |
| S763 | 1-762-875-21 | SWITCH, TACTILE (SCROLL) | |
| S764 | 1-762-875-21 | SWITCH, TACTILE (POWER) | |
| S771 | 1-762-875-21 | SWITCH, TACTILE (●) | |
| S772 | 1-762-875-21 | SWITCH, TACTILE (■) | |
| S773 | 1-762-875-21 | SWITCH, TACTILE (▷⏏) | |
| S774 | 1-762-875-21 | SWITCH, TACTILE (▶▶) | |
| S775 | 1-762-875-21 | SWITCH, TACTILE (◀◀) | |
| S776 | 1-762-875-21 | SWITCH, TACTILE (≡) | |
| ***** | | | |
| * | 1-661-774-11 | SW BOARD ***** | |
| | | < CONNECTOR > | |
| CN601 | 1-770-698-11 | CONNECTOR, FFC/FPC 15P | |
| CN602 | 1-778-638-21 | PIN, CONNECTOR (PC BOARD) 2P | |
| CN603 | 1-778-638-21 | PIN, CONNECTOR (PC BOARD) 2P | |
| | | < SWITCH > | |
| S681 | 1-572-467-61 | SWITCH, PUSH (1 KEY)(LIMIT IN) | |
| S682 | 1-692-377-31 | SWITCH, PUSH (1 KEY)(REFLECT) | |
| S683 | 1-692-847-21 | SWITCH, PUSH (1 KEY)(PROTECT) | |
| S685 | 1-572-467-61 | SWITCH, PUSH (1 KEY)(CHUCKING IN) | |
| S686 | 1-762-621-21 | SWITCH, PUSH (1 KEY)(PACK OUT) | |
| S687 | 1-572-688-11 | SWITCH, PUSH (1 KEY)(PB POSITION) | |
| S688 | 1-762-621-21 | SWITCH, PUSH (1 KEY)(REC POSITION) | |
| ***** | | | |
| * | 1-665-008-11 | TRANSFORMER BOARD ***** | |
| | | < CAPACITOR > | |
| △ C301 | 1-113-924-11 | CERAMIC 0.0047uF 20% 250V | |
| △ C302 | 1-113-924-11 | CERAMIC 0.0047uF 20% 250V | |
| C303 | 1-113-924-11 | CERAMIC 0.0047uF 20% 250V (EXCEPT US,CND,HK) | |
| C304 | 1-113-924-11 | CERAMIC 0.0047uF 20% 250V (SP,JE) | |
| | | < CONNECTOR > | |
| * CN301 | 1-580-230-31 | PIN, CONNECTOR (PC BOARD) 2P | |
| CN306 | 1-564-523-11 | PLUG, CONNECTOR 8P | |
| | | < LINE FILTER > | |
| △ LF301 | 1-424-485-11 | FILTER, LINE | |
| | | < TRANSFORMER > | |
| △ TR001 | 1-431-252-11 | TRANSFORMER, POWER (US,CND) | |
| △ TR001 | 1-431-253-11 | TRANSFORMER, POWER (AEP,UK,HK) | |
| △ TR001 | 1-431-254-11 | TRANSFORMER, POWER (SP,JE) | |
| ***** | | | |

| Ref. No. | Part No. | Description | Remark |
|----------|--------------|--|--------|
| | | MISCELLANEOUS ***** | |
| 4 | 1-782-264-11 | WIRE (FLAT TYPE)(19 CORE) | |
| 5 | 1-782-263-11 | WIRE (FLAT TYPE)(29 CORE) | |
| △ 15 | 1-558-945-21 | CORD, POWER (POLAR.SPT-1)(US,CND) | |
| △ 15 | 1-575-651-91 | CORD, POWER (AEP,SP,HK) | |
| △ 15 | 1-696-027-11 | CORD, POWER (JE) | |
| △ 15 | 1-696-586-21 | CORD, POWER (UK) | |
| △ 16 | 1-569-007-11 | ADAPTOR, CONVERSION 2P (JE) | |
| △ 16 | 1-569-008-21 | ADAPTOR, CONVERSION 2P (SP) | |
| △ 16 | 1-770-019-11 | ADAPTOR, CONVERSION PLUG 3P (HK) | |
| 59 | 1-782-265-11 | WIRE (FLAT TYPE)(23 CORE) | |
| 208 | 1-777-517-11 | WIRE (FLAT TYPE)(15 CORE) | |
| FL701 | 1-517-575-11 | INDICATOR TUBE, FLUORESCENT | |
| HR901 | 1-500-396-11 | HEAD, OVER WRITE | |
| M901 | A-4672-135-A | MOTOR ASSY, SPINDLE | |
| M902 | A-4672-133-A | MOTOR ASSY, SLED | |
| M903 | A-4672-134-A | MOTOR ASSY, LOADING | |
| △ TR001 | 1-431-252-11 | TRANSFORMER, POWER (US,CND) | |
| △ TR001 | 1-431-253-11 | TRANSFORMER, POWER (AEP,UK,HK) | |
| △ TR001 | 1-431-254-11 | TRANSFORMER, POWER (SP,JE) | |
| ***** | | | |
| | | ACCESSORIES & PACKING MATERIALS ***** | |
| | 1-473-785-11 | REMOTE COMMANDER (RM-D8M) | |
| | 1-558-271-11 | CORD, CONNECTION (AUDIO 108cm) (JE) | |
| | 1-574-264-11 | CORD, OPTICAL PLUG (EXCEPT US) | |
| | 1-776-263-11 | CORD, CONNECTION (AUDIO 100cm)(EXCEPT JE) | |
| | 3-859-426-11 | MANUAL, INSTRUCTION (ENGLISH,FRENCH,SPANISH)(EXCEPT JE) | |
| | 3-859-426-21 | MANUAL, INSTRUCTION (CHINESE,PORTUGUESE)(AEP,SP,HK) | |
| | 3-859-426-31 | MANUAL, INSTRUCTION (DUTCH,ITALIAN,GERMAN)(AEP) | |
| | 3-859-426-41 | MANUAL, INSTRUCTION (DANISH,FINNISH,SWEDISH)(AEP) | |
| | 3-859-426-51 | MANUAL, INSTRUCTION (ENGLISH,PORTUGUESE,CHINESE)(JE) | |
| | 4-983-537-01 | COVER, BATTERY (For RM-D8M) | |
| ***** | | | |
| | | ***** HARDWARE LIST ***** | |
| #1 | 7-685-647-79 | SCREW +BVTP 3X10 TYPE2 N-S | |
| #2 | 7-685-850-04 | SCREW +BVTT 2X3 (S) | |
| #3 | 7-627-552-27 | SCREW,PRECISION +P 1.7X2 | |
| #4 | 7-627-852-28 | +P 1.7X3 | |
| #5 | 7-627-553-17 | PRECISION SCREW +P 2X2 TYPE 3 | |
| #6 | 7-685-851-04 | SCREW +BVTT 2X4 (S) | |

| | |
|--|--|
| The components identified by mark △ or dotted line with mark △ are critical for safety. Replace only with part number specified. | Les composants identifiés par une marque △ sont critiques pour la sécurité. Ne les remplacer que par une pièce portant le numéro spécifié. |
|--|--|

MEMO

